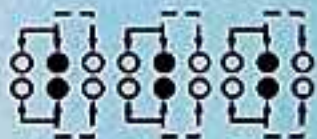


# SS-62D02

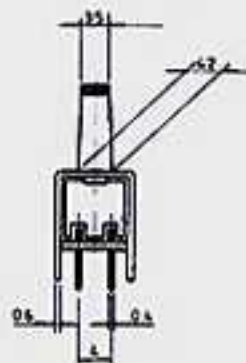
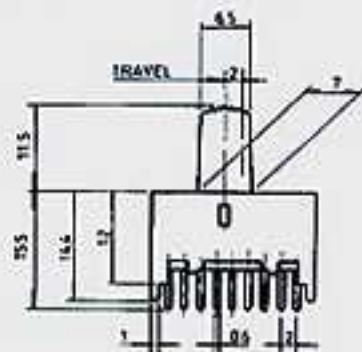
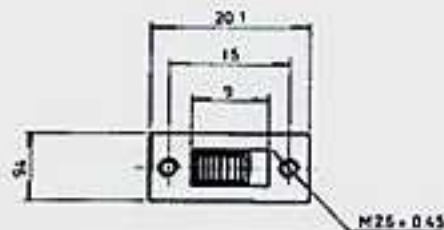
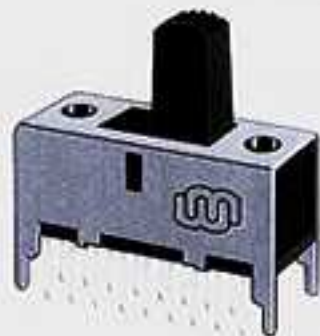
Rating : 0.3A 50V DC

Function: 6P2T



Optional knob type

GDD					



# SS-62H04

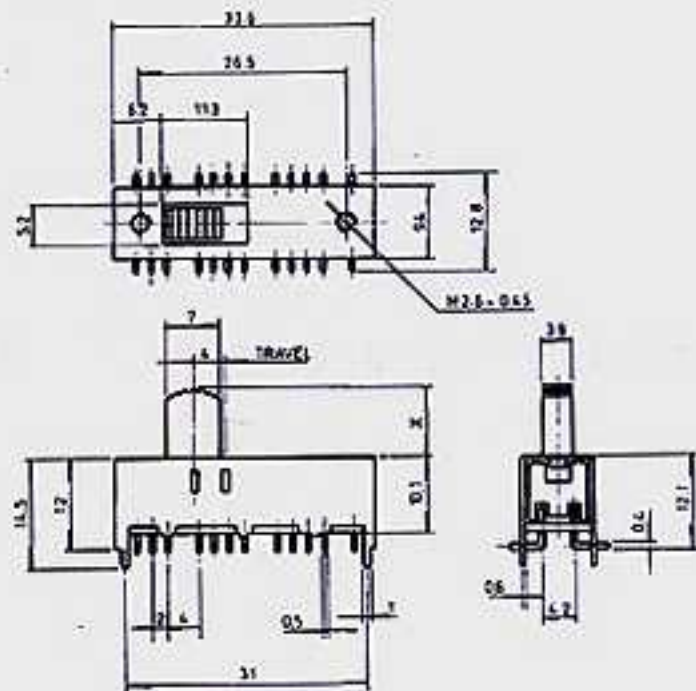
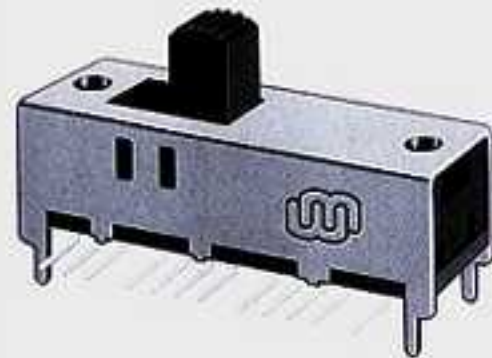
Rating : 0.3A 50V DC

Function: 6P2T



Optional knob type

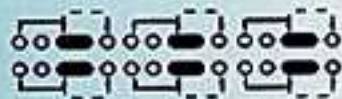
GDD	MXF	GDB	GDE	GDR	ATA
NYA					



# SS-62H03

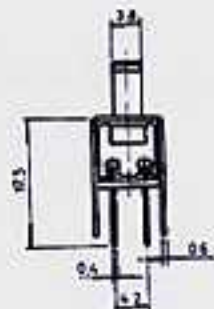
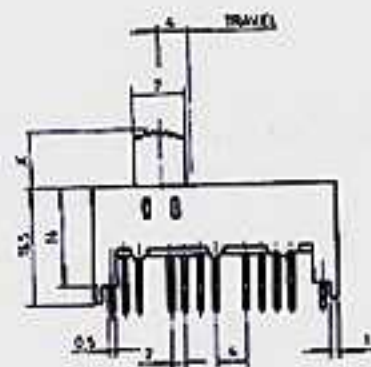
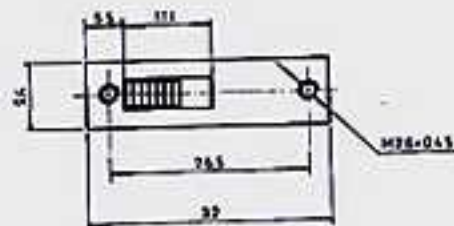
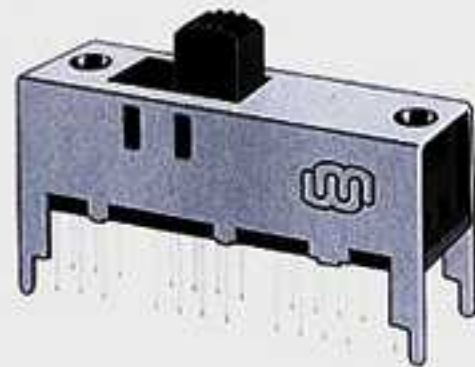
Rating : 0.3A 50V DC

Function: 6P2T



Optional knob type

GDD	MXF	GDB	GDE	GDR	ATA
NYA					



# SS-62H01

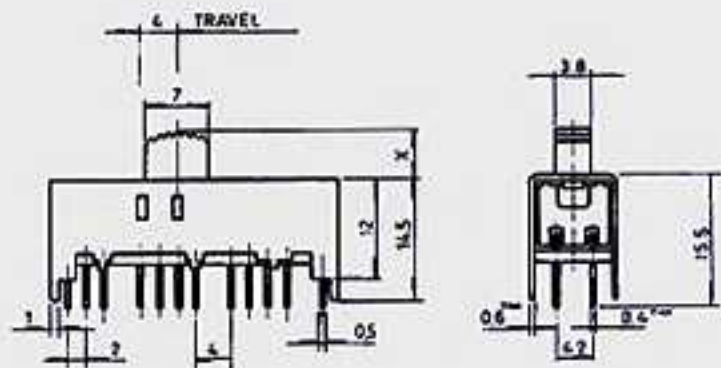
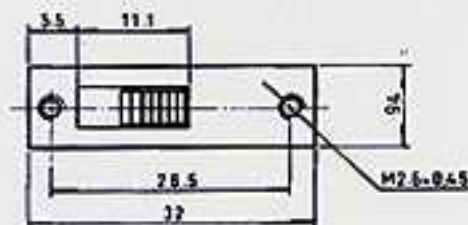
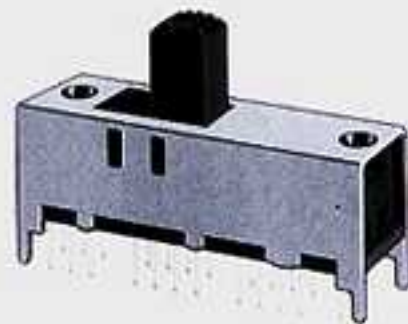
Rating : 0.3A 50V DC

Function: 6P2T



Optional knob type

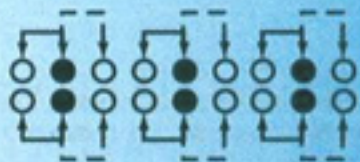
GDD	MXF	GDB	GDE	GDR	ATA
NYA					



# SS-62F02

Rating : 0.3A 50V DC

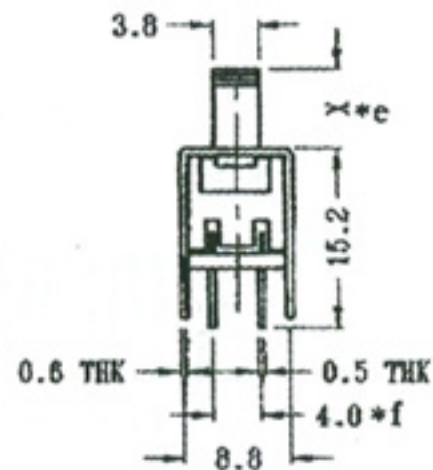
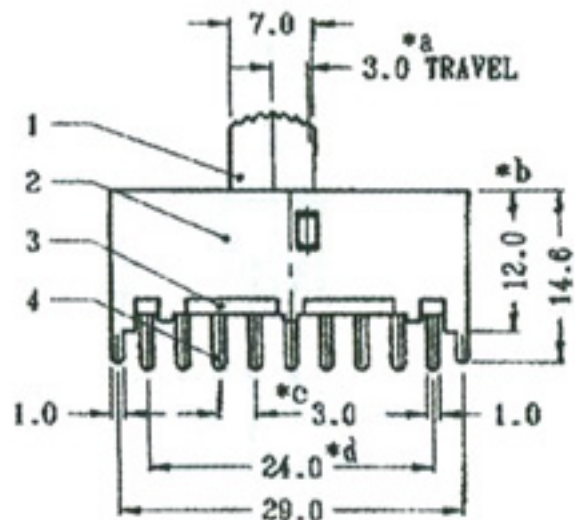
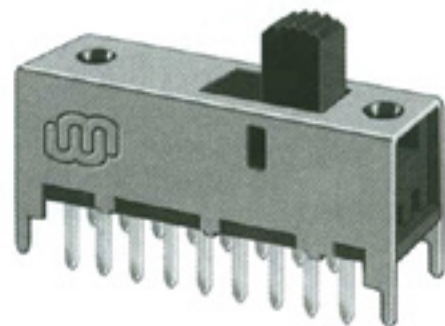
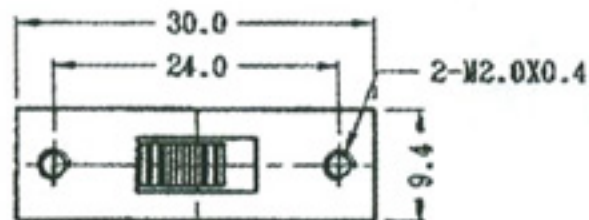
Function: 6P2T



N

Optional knob type

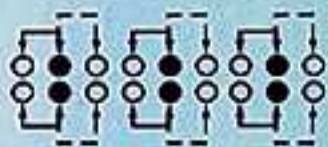
GDD					



# SS-62F01

Rating : 0.3A 50V DC

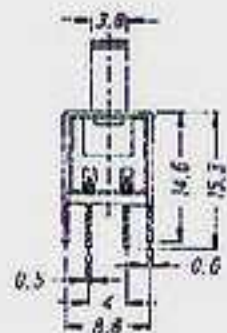
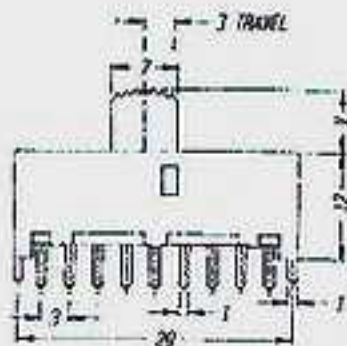
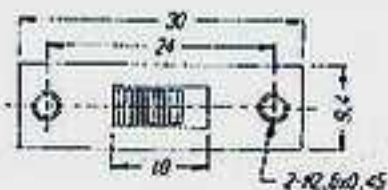
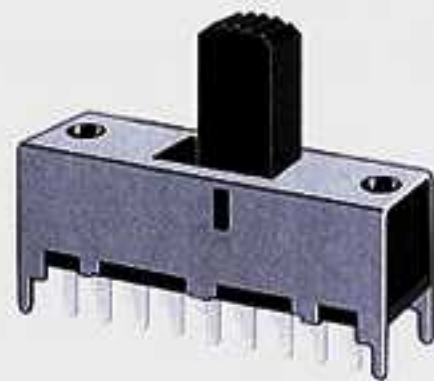
Function: 6P2T



N

Optional knob type

GDD					



# SS-63D10

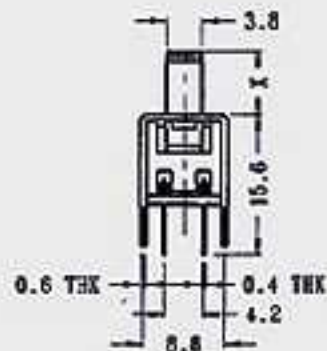
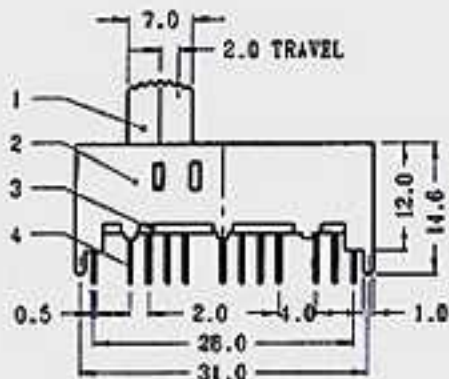
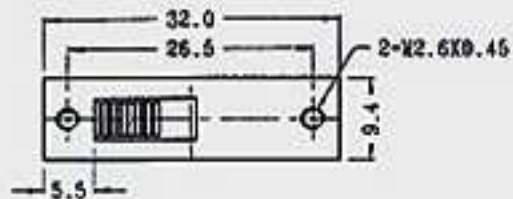
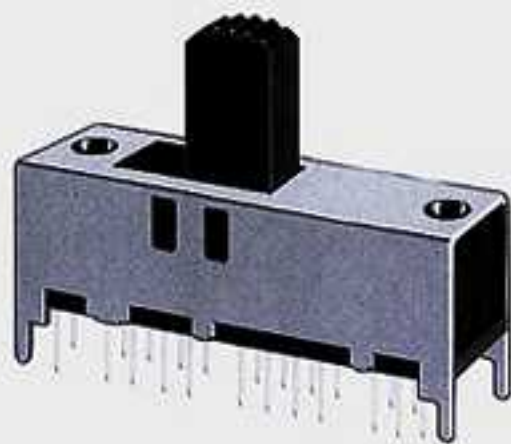
Rating : 0.3A 50V DC

Function: 6P3T



Optional knob type

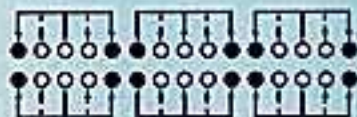
GDE	GDB	GDR	MXF	ATA	NYA



# SS-63D06

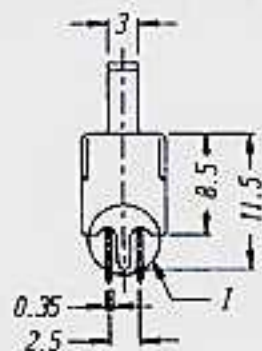
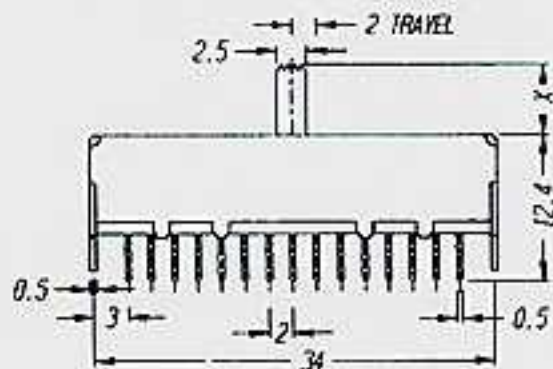
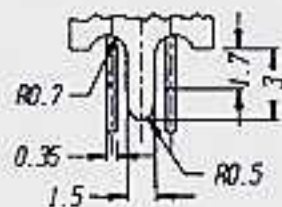
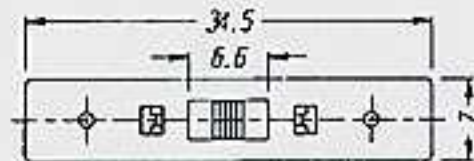
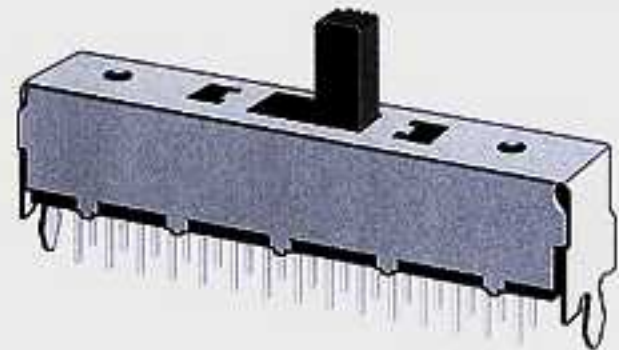
Rating : 0.3A 50V DC

Function: 6P3T



Optional knob type

GBC					





# SS-63D05

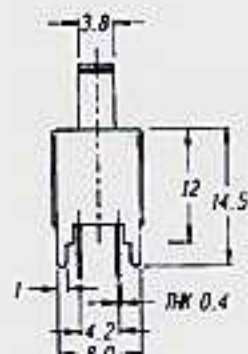
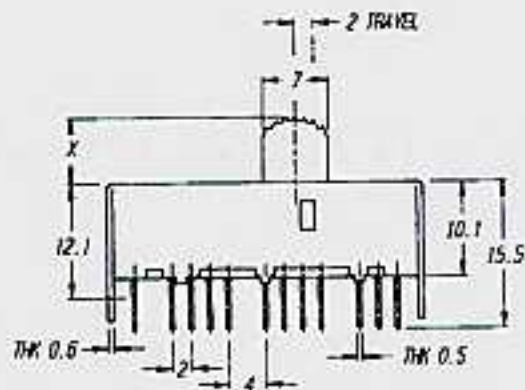
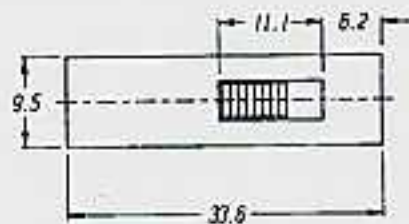
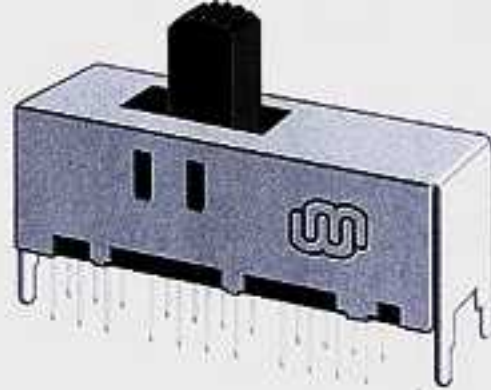
Rating : 0.3A 50V DC

Function: 6P3T



Optional knob type

GDE	GDB	GDR	MXF	ATA	NYA



# SS-63D04

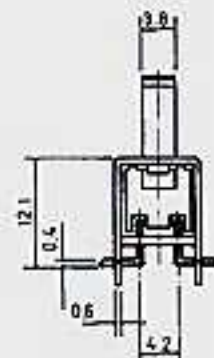
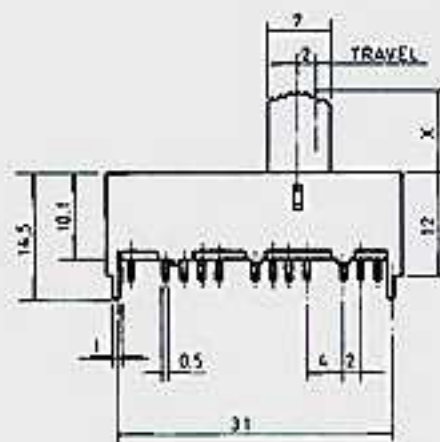
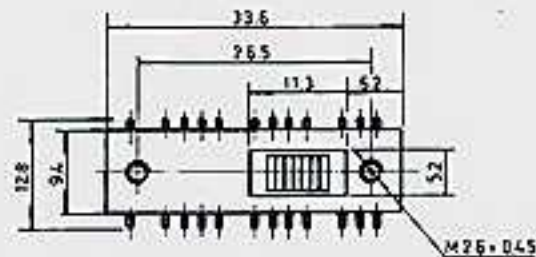
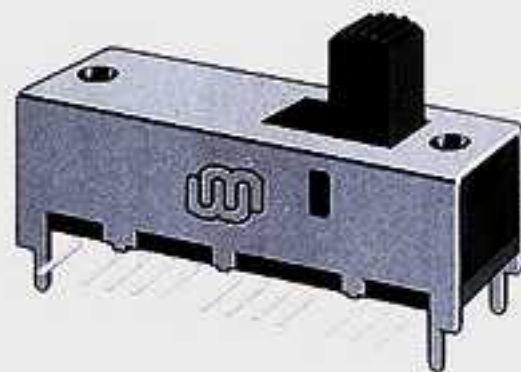
Rating : 0.3A 50V DC

Function: 6P3T



Optional knob type

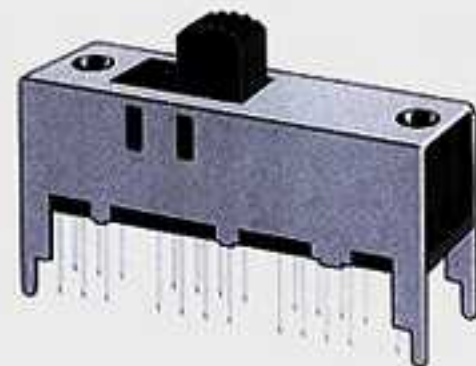
GDE	GDB	GDR	MXF	ATA	NYA



# SS-63D03

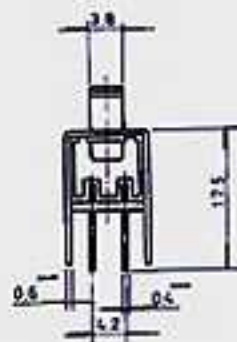
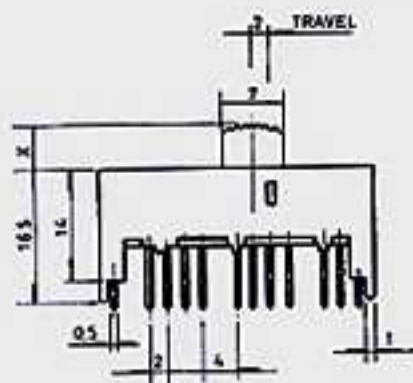
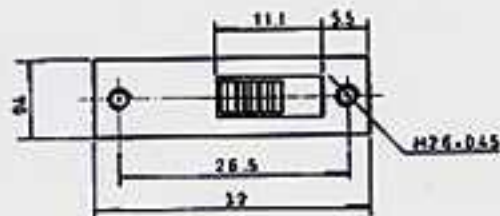
Rating : 0.3A 50V DC

Function: 6P3T



Optional knob type

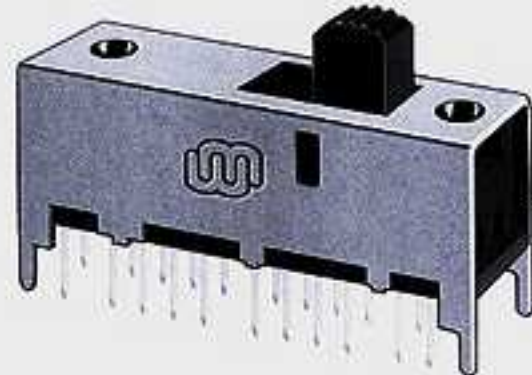
GDE	GDB	GDR	MXF	ATA	NYA



# SS-63D01

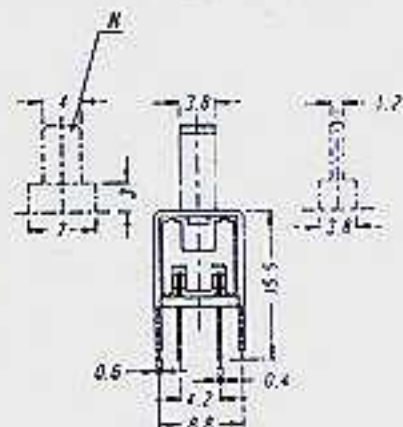
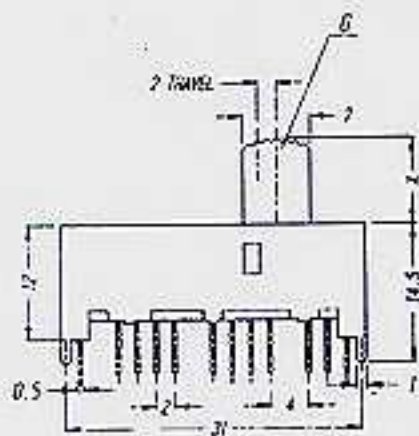
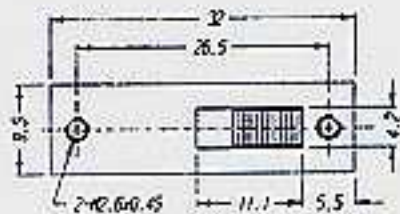
Rating : 0.3A 50V DC

Function: 6P3T



Optional knob type

GDD	MXF	GDB	GDE	GDR	ATA
NYA					



# SS-64D01

Rating : 0.3A 50V DC

Function: 6P4T



Optional knob type

GDE	ATA	TAO	MXF		

