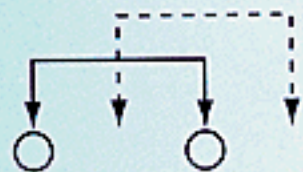


# SS-11G01

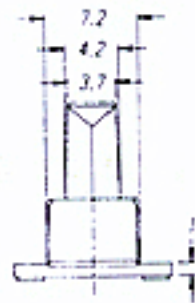
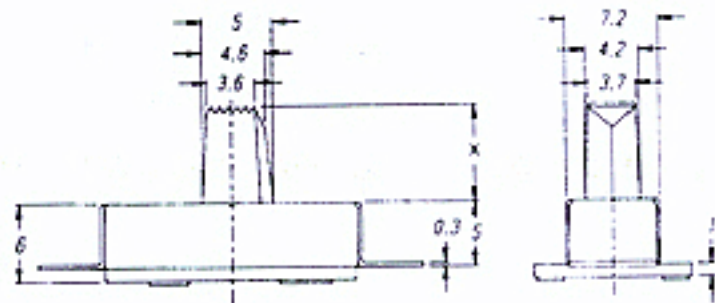
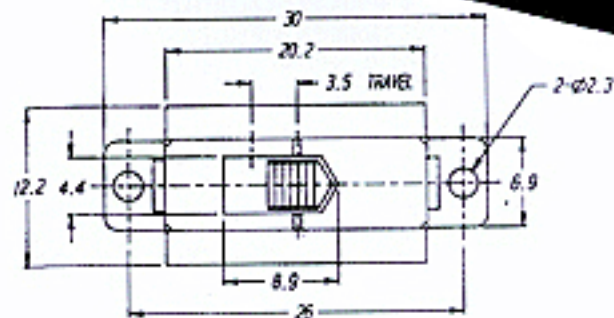
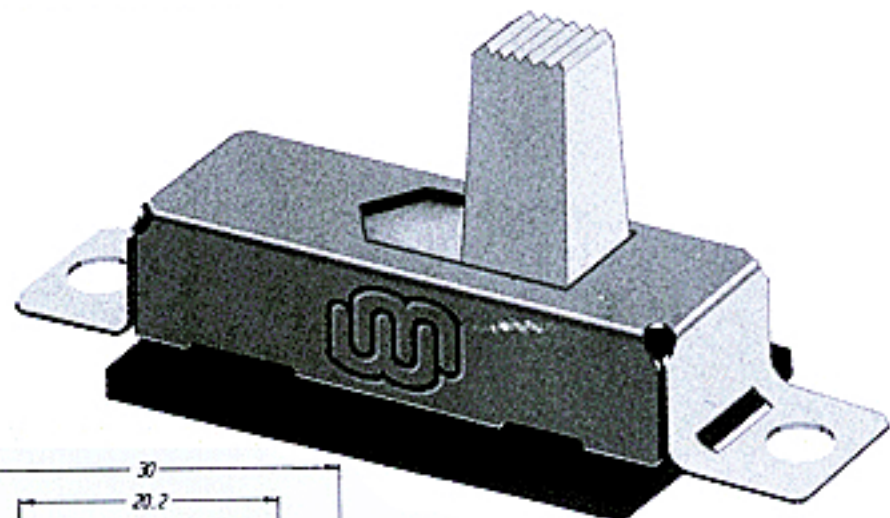
Rating : 0.5A 12V DC

Function: 1P1T



Optional knob type

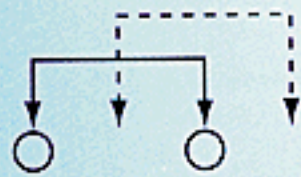
GXA					



# SS-11G06

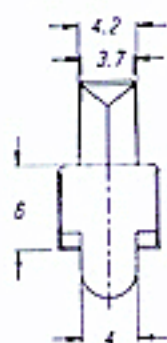
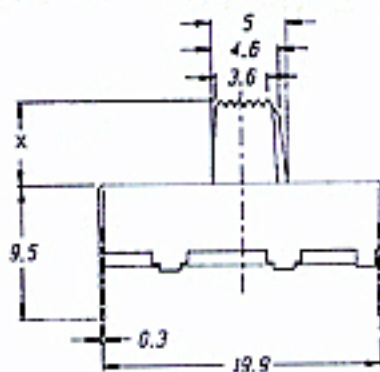
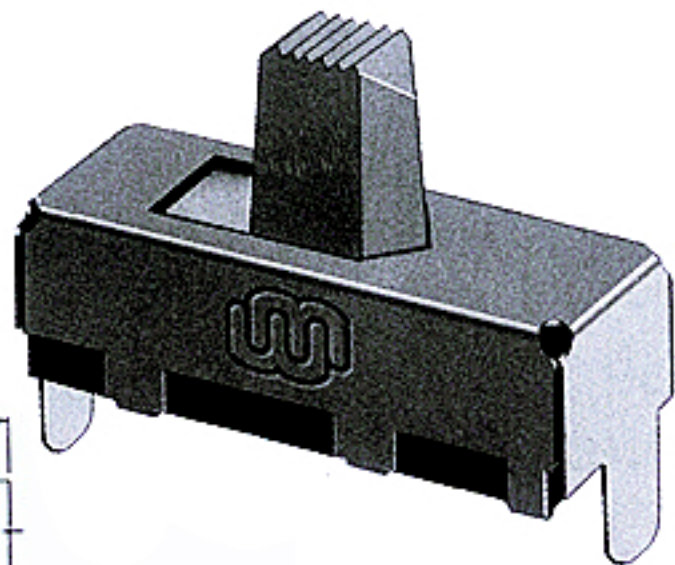
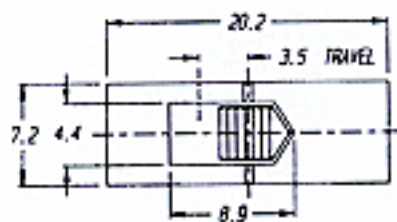
Rating : 0.5A 12V DC

Function: 1P1T



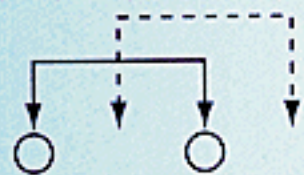
Optional knob type

GXA					



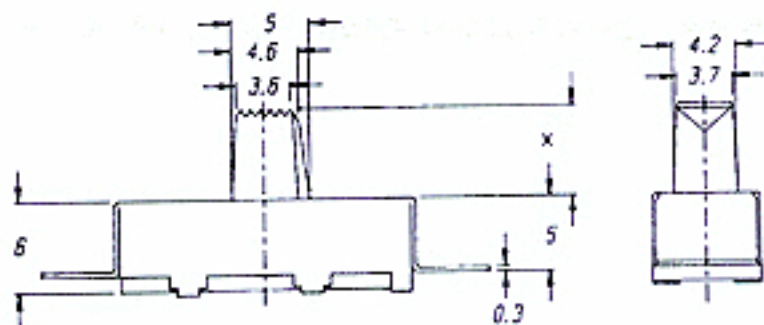
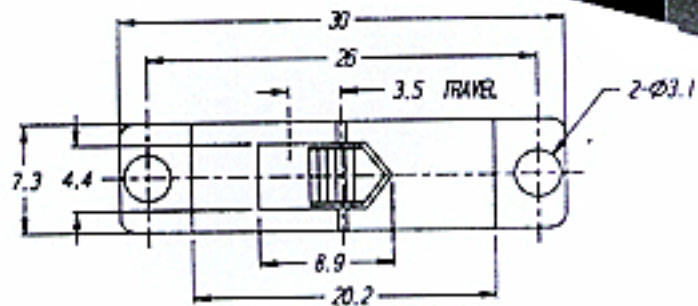
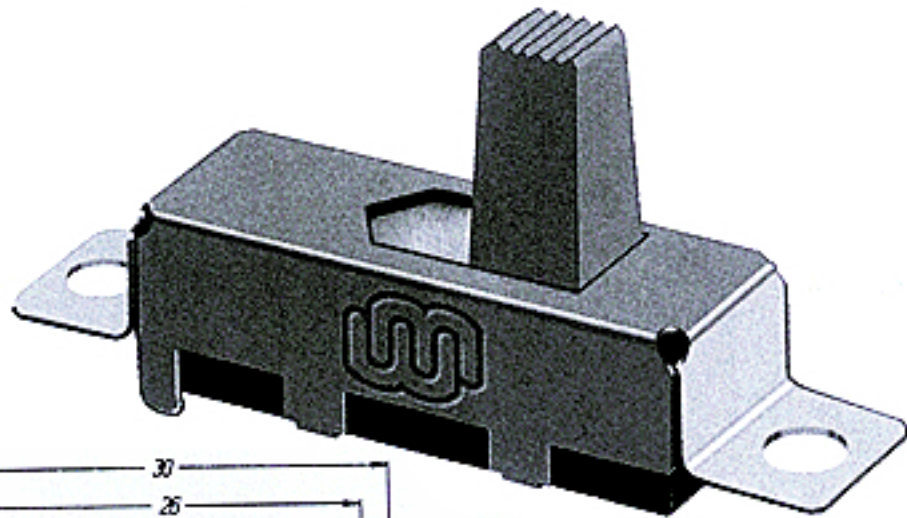
# SS-11G05

Rating : 0.5A 12V DC  
Function: 1P1T



Optional knob type

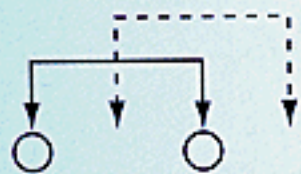
GXA					



# SS-11G04

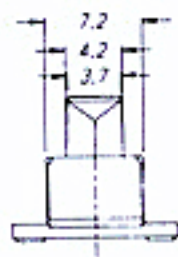
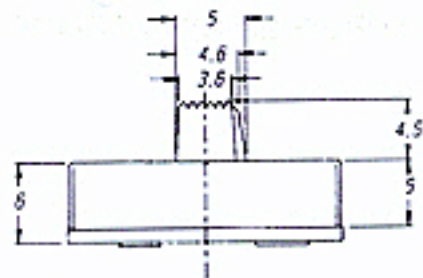
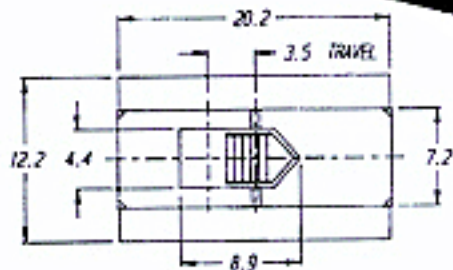
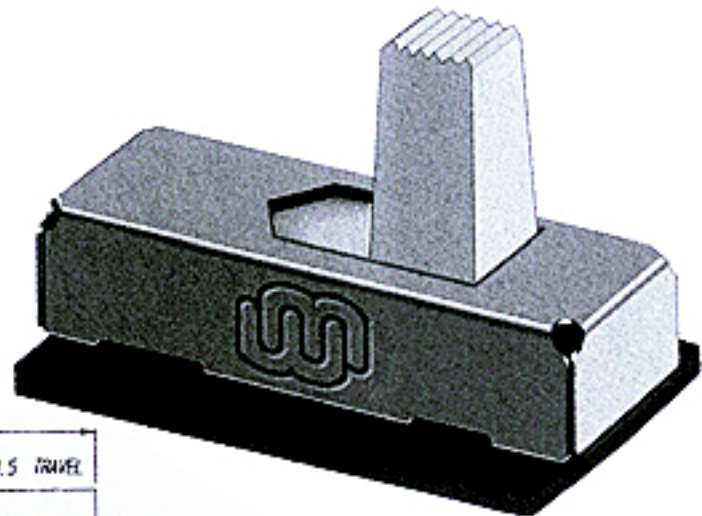
Rating : 0.5A 12V DC

Function: 1P1T



Optional knob type

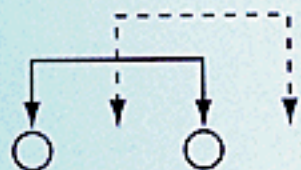
GXA					



# SS-11G02

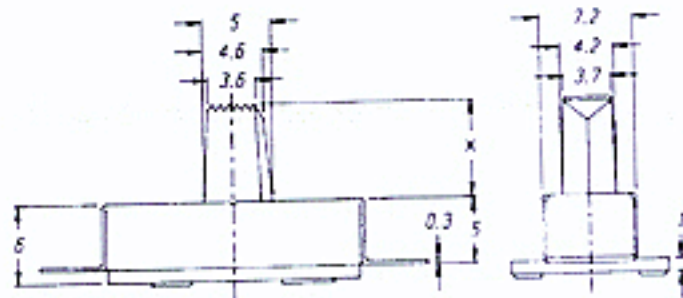
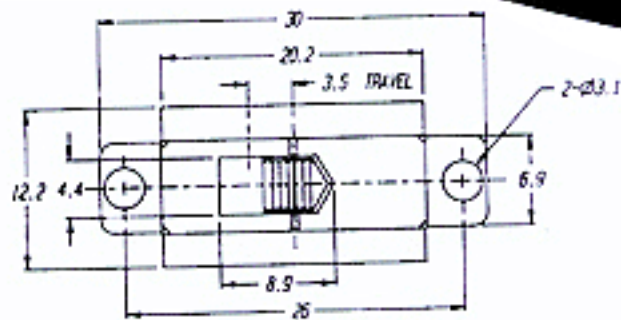
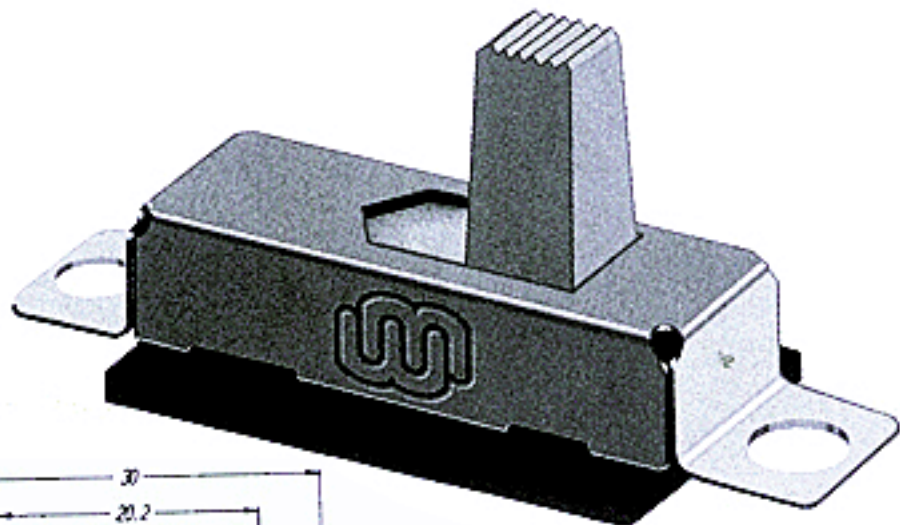
Rating : 0.5A 12V DC

Function: 1P1T



Optional knob type

GXA					



# SS-12D01

Rating : 0.3A 50V DC

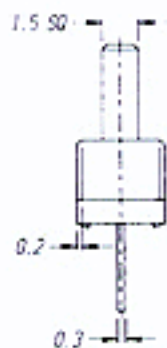
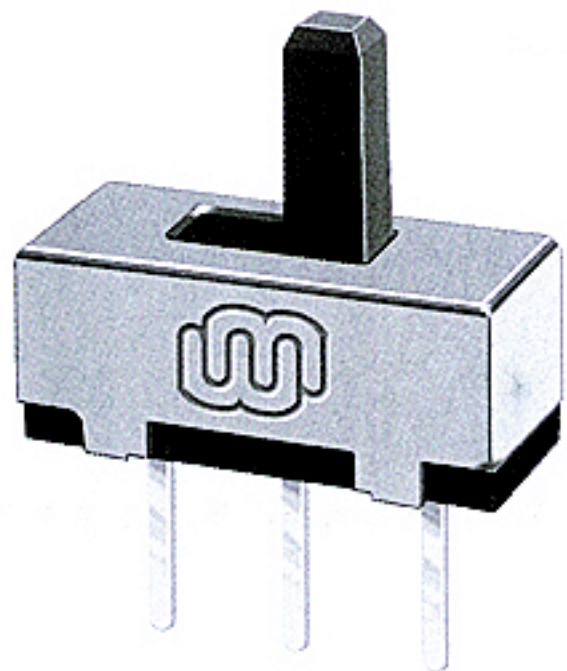
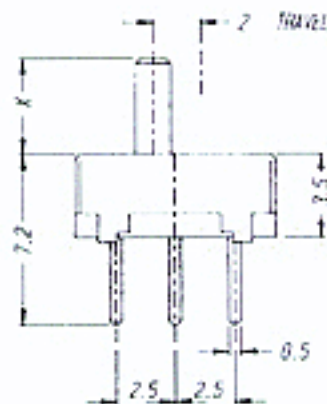
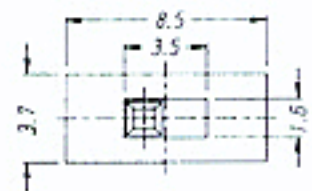
Function: 1P2T



Optional knob type



TBA					



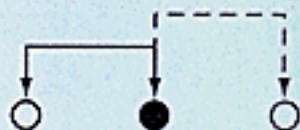
# SS-12F41

Rating : 0.5A 50V DC

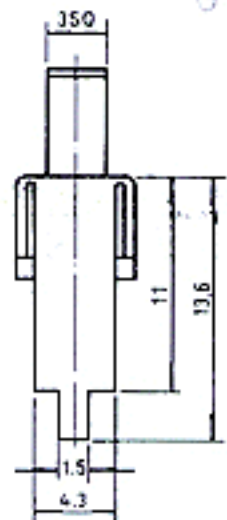
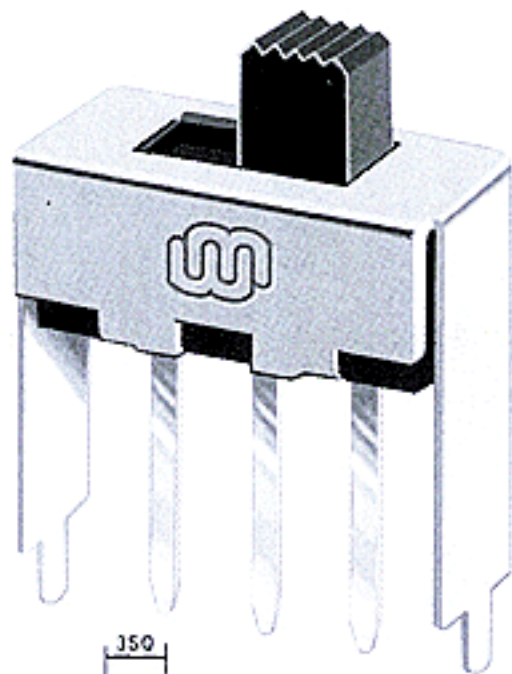
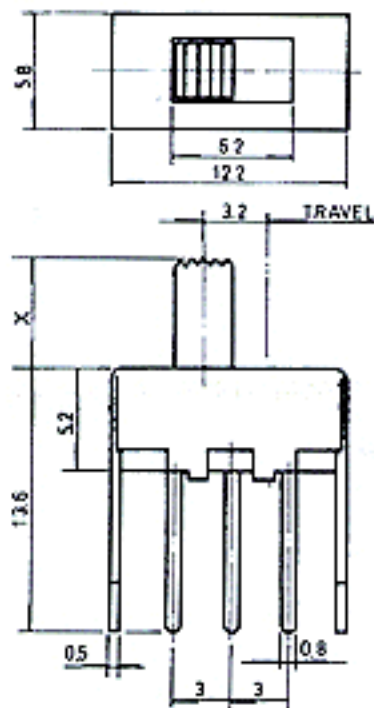
Function: 1P2T



Optional knob type



GBG	VAA	GBX	ATB	NYB	



# SS-12F40

Rating : 0.5A 50V DC

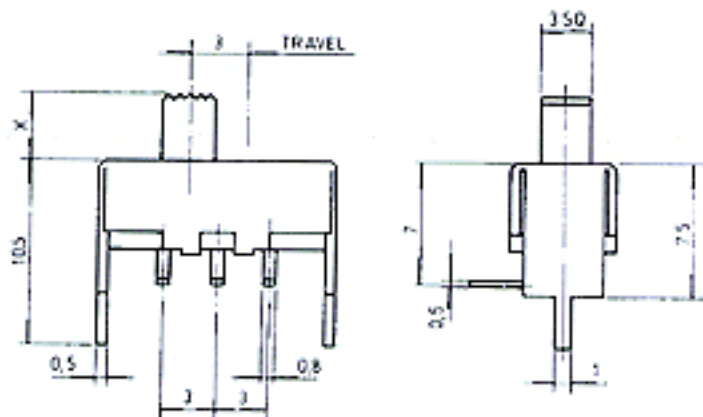
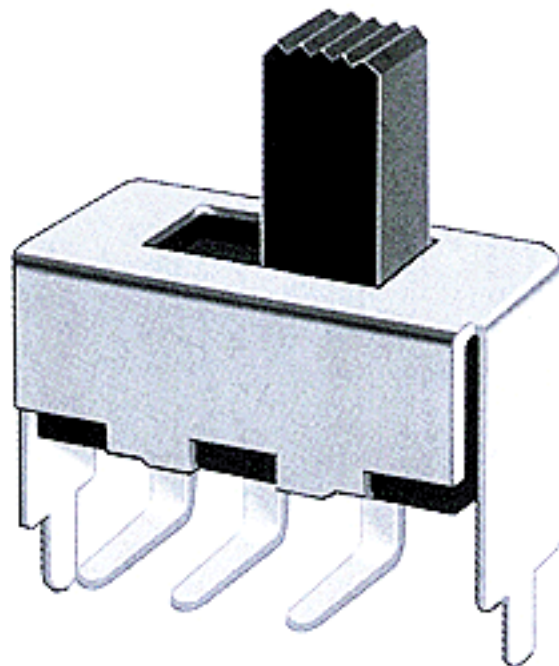
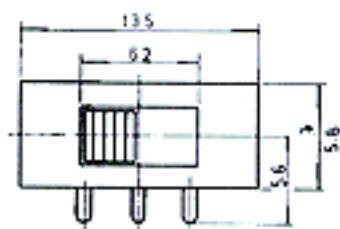
Function: 1P2T



Optional knob type



GBG	VAA	GBX	ATB	NYB	





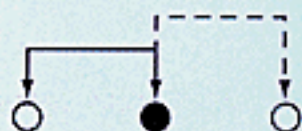
# SS-12F39

Rating : 0.5A 50V DC

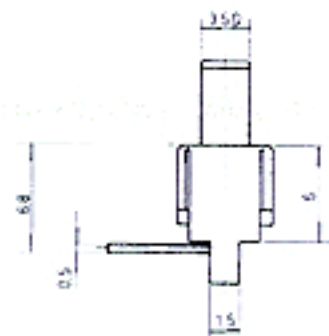
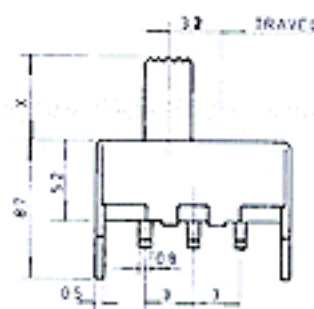
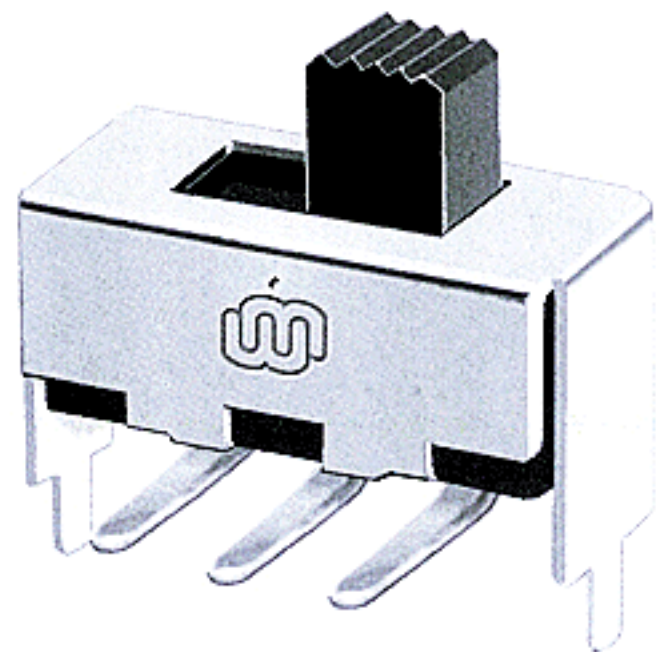
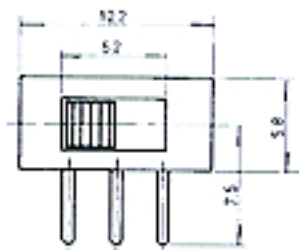
Function: 1P2T



Optional knob type



GBG	VAA	GBX	ATB	NYB	



# SS-12F38

Rating : 0.5A 50V DC

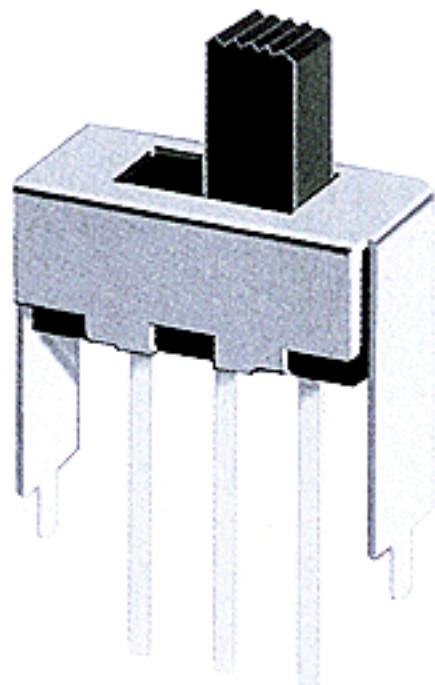
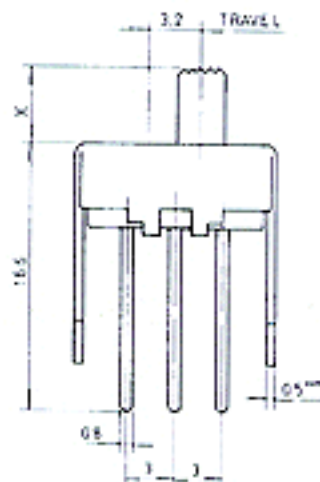
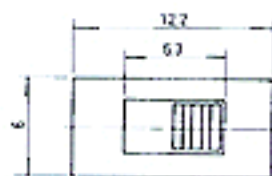
Function: 1P2T



Optional knob type



GBG	VAA	GBX	ATB	NYB	



# SS-12F37

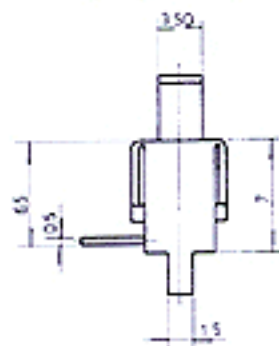
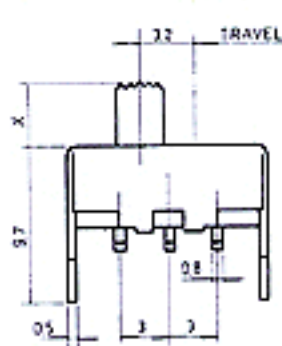
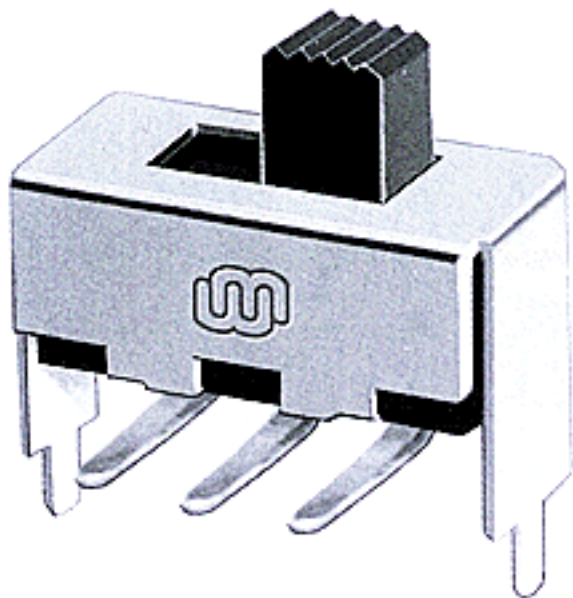
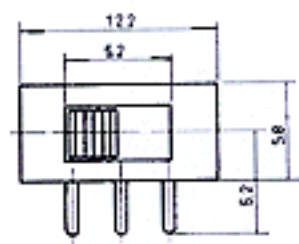
Rating : 0.5A 50V DC

Function: 1P2T



Optional knob type

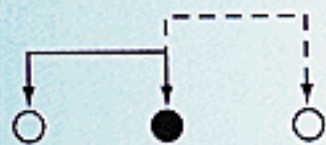
GAG	VAA	GBX	ATB	NYB	



# SS-12F36

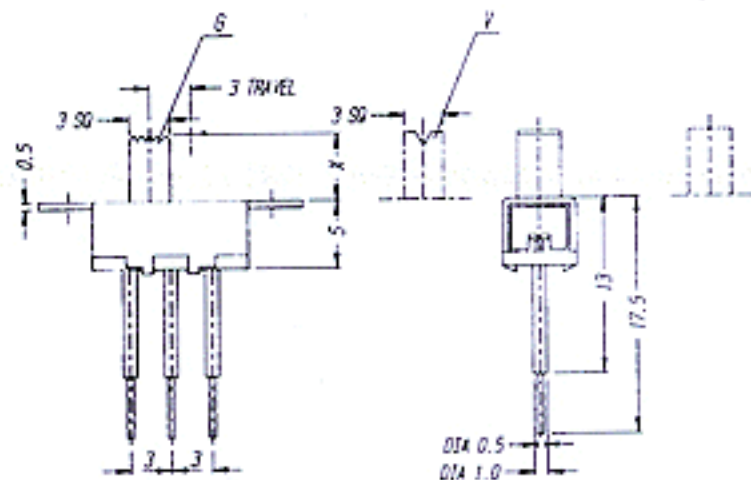
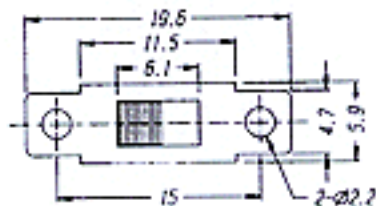
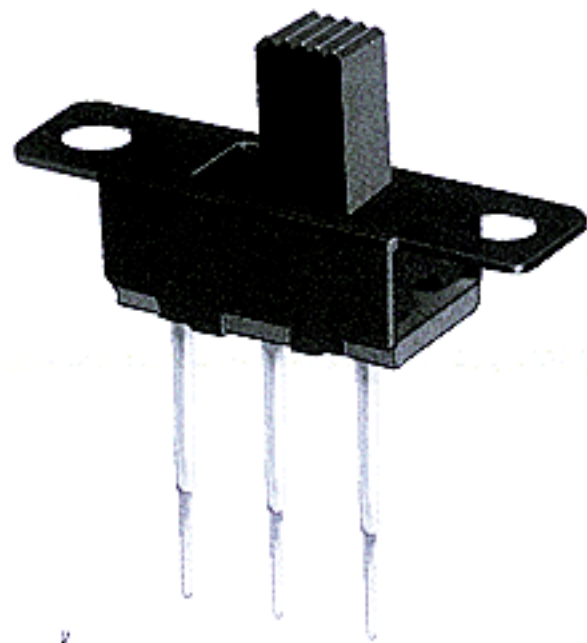
Rating : 0.5A 50V DC

Function: 1P2T



Optional knob type

GBG	VAA	GBX			



# SS-12F35

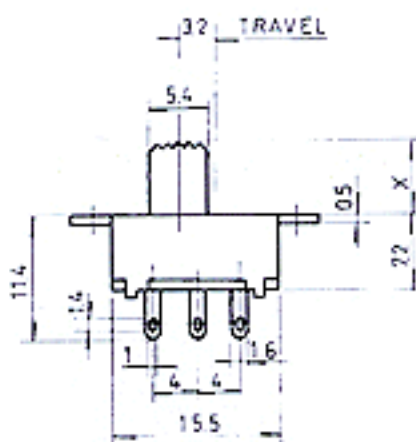
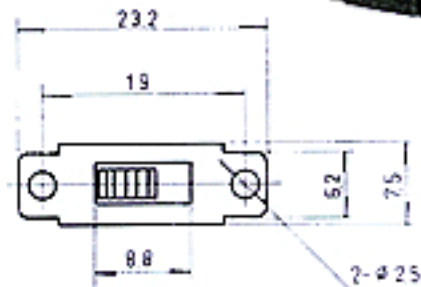
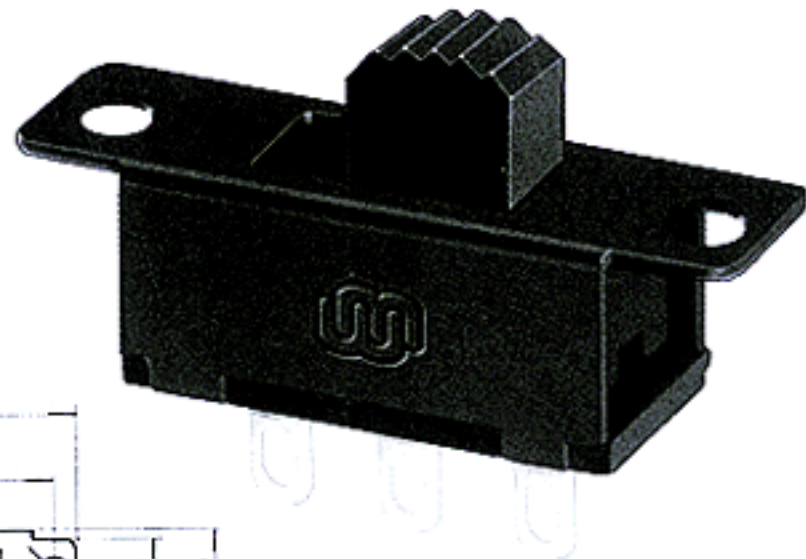
Rating : 0.5A 50V DC

Function: 1P2T



Optional knob type

GAA	GAB	GAC	GAD	GAE	GBR
GDB	TAN	ATA	NTA	MXD	



# SS-12F34

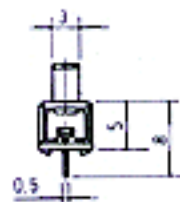
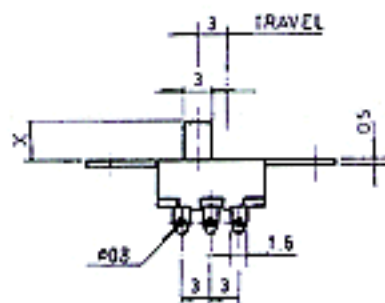
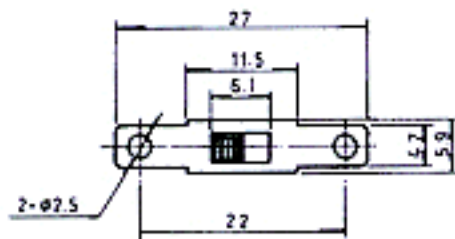
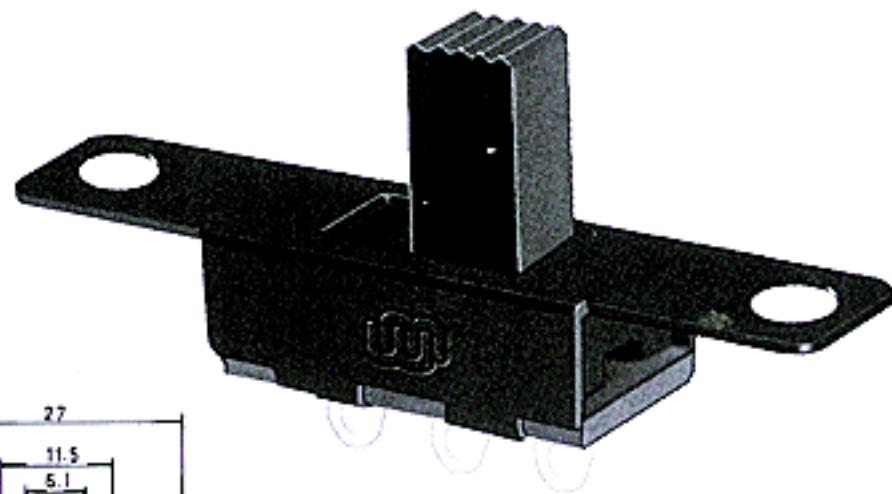
Rating : 0.5A 50V DC

Function: 1P2T



Optional knob type

GBG	VAA	GBX			



# SS-12F33

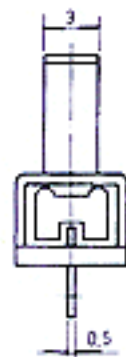
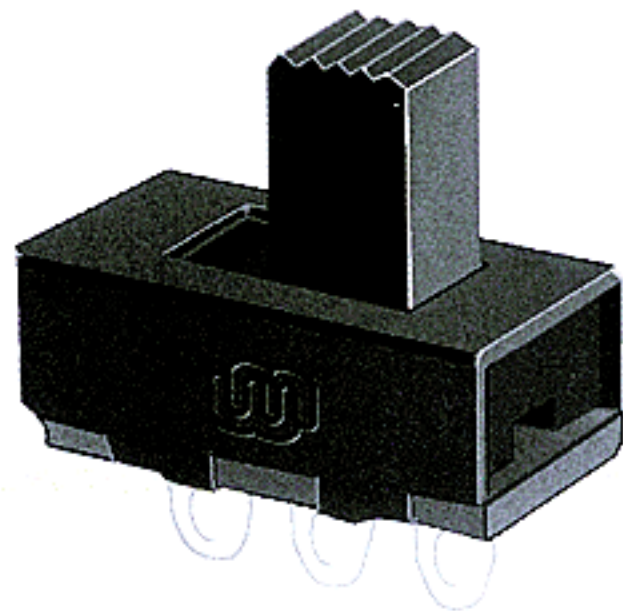
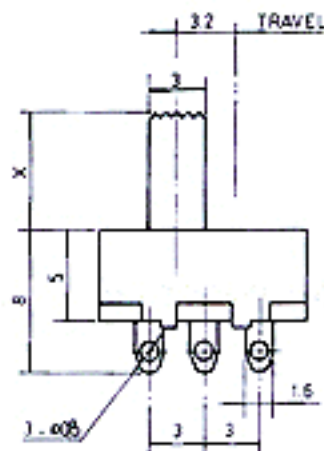
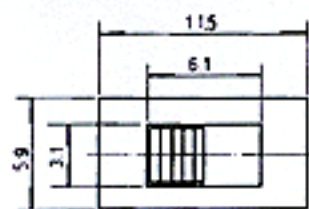
Rating : 0.5A 50V DC

Function: 1P2T



Optional knob type

GBG	VAA	GBX			



# SS-12F32

Rating : 0.5A 50V DC

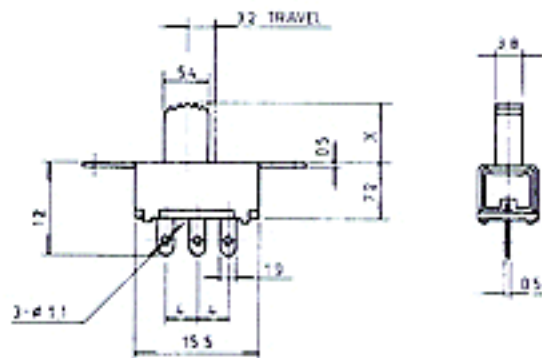
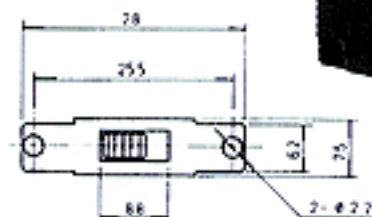
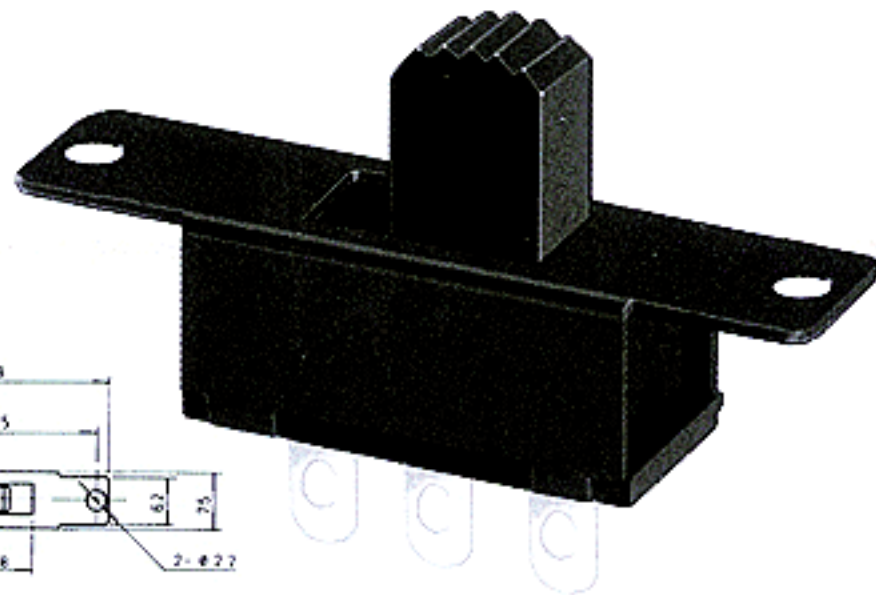
Function: 1P2T



Optional knob type



GAA	GAB	GAC	GAD	GAE	GBR
GDB	TAN	ATA	NTA	MXD	





# SS-12F31

Rating : 0.5A 50V DC

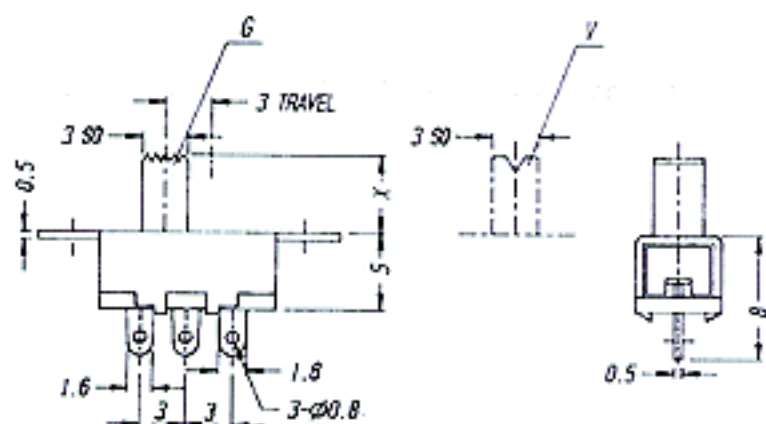
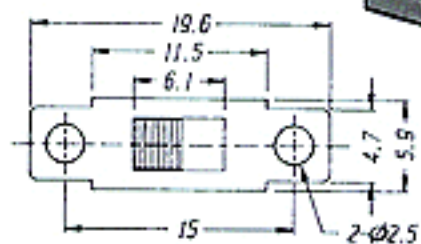
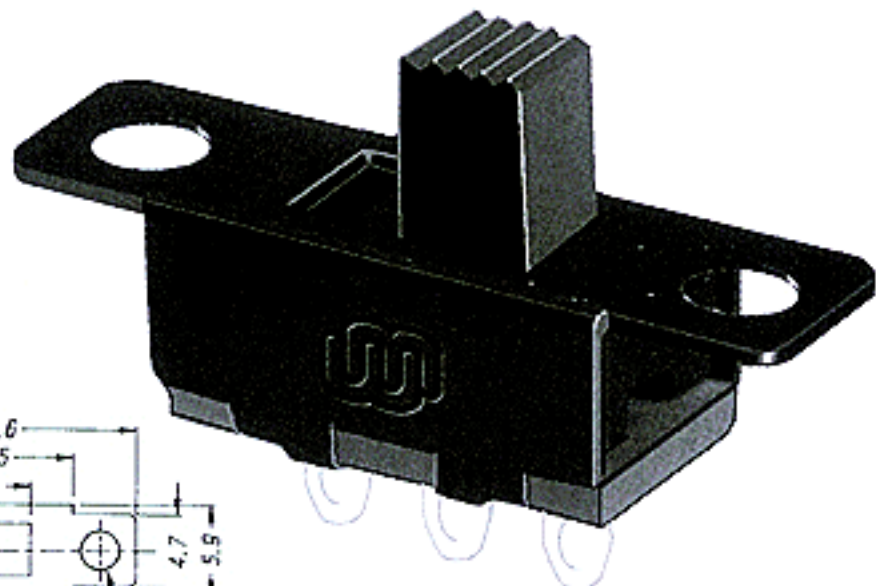
Function: 1P2T



Optional knob type



GBG	VAA	GBX			



# SS-12F30

Rating : 0.5A 50V DC

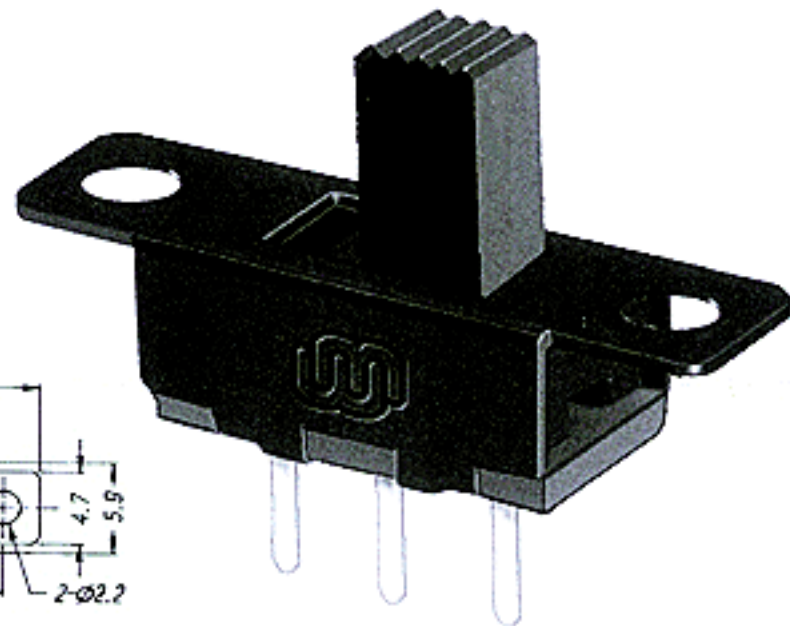
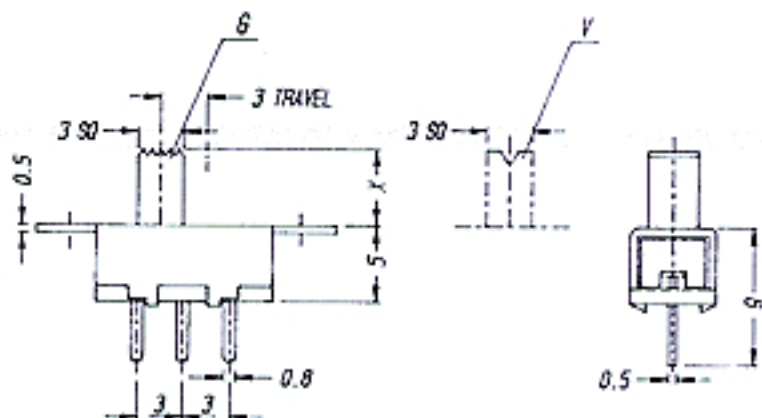
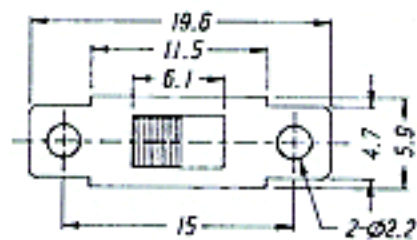
Function: 1P2T

N

Optional knob type



GBG	VAA	GBX			



# SS-12F29

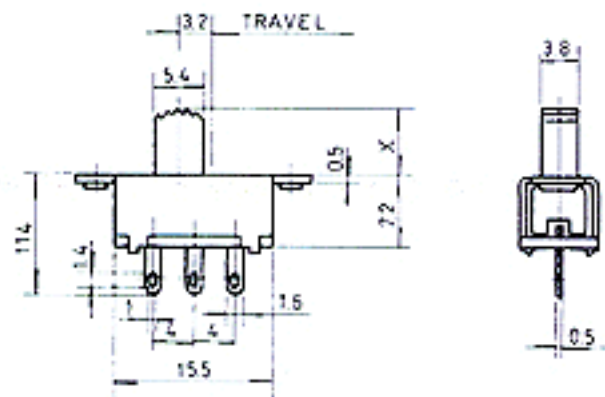
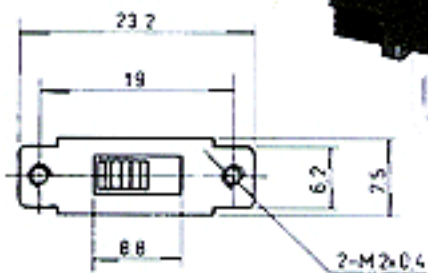
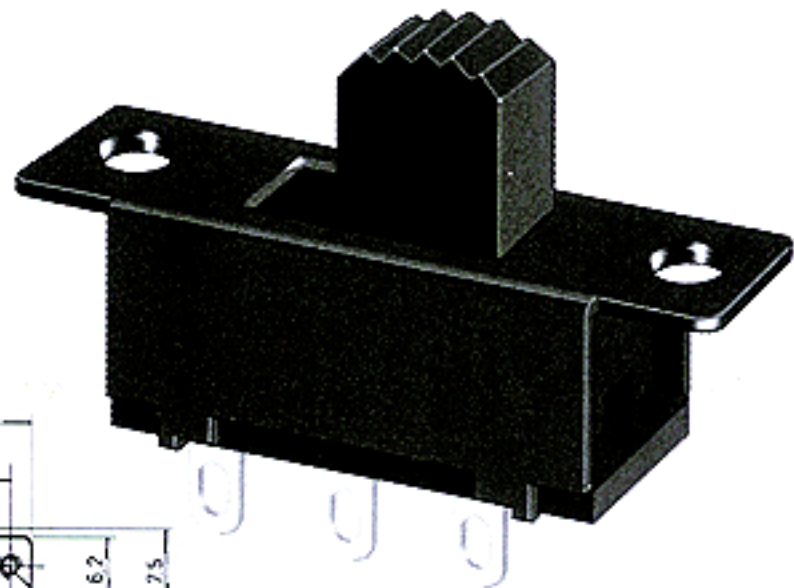
Rating : 0.5A 50V DC

Function: 1P2T



Optional knob type

GAA	GAB	GAC	GAD	GAE	GBR
GDB	TAN	ATA	NTA	MXD	



# SS-12F28

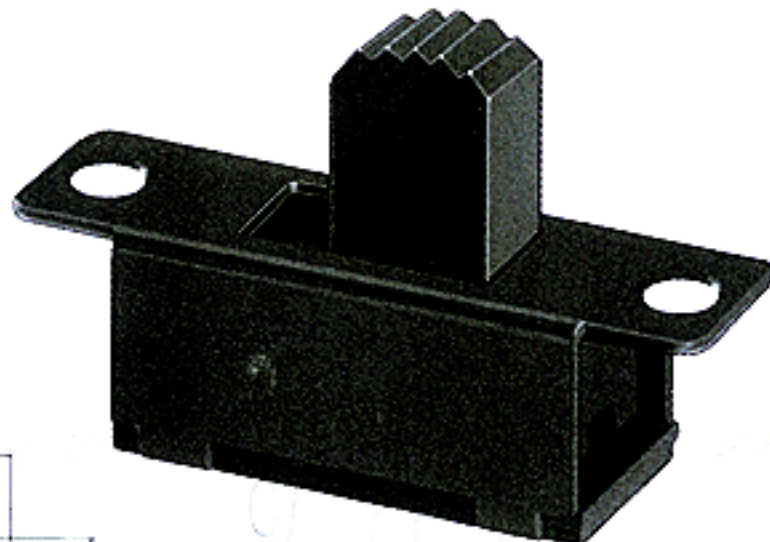
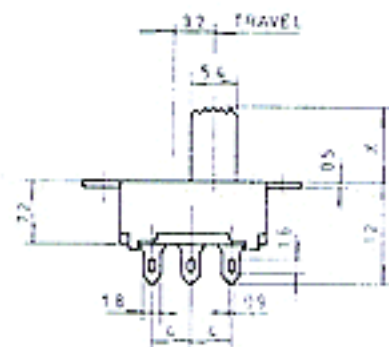
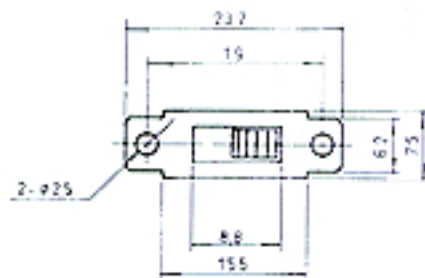
Rating : 0.5A 50V DC

Function: 1P2T



Optional knob type

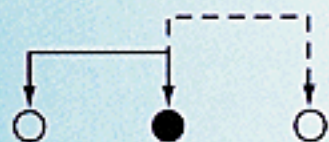
GAA	GAB	GAC	GAD	GAE	GBR
GDB	TAN	ATA	NTA	MXD	



# SS-12F27

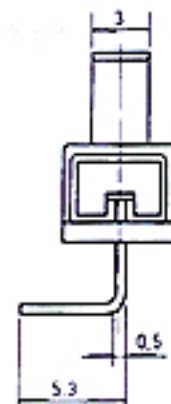
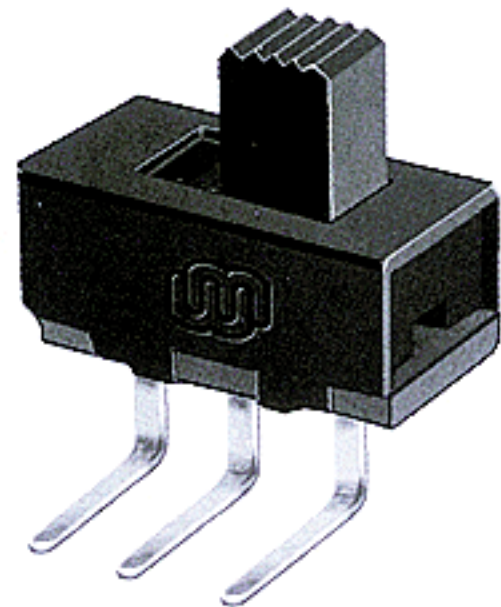
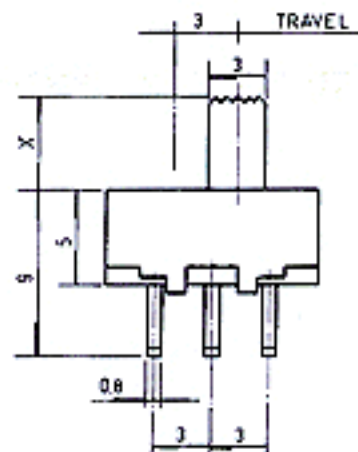
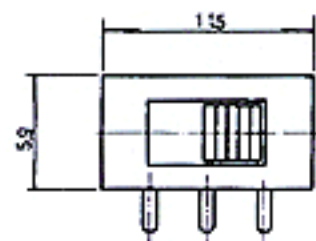
Rating : 0.5A 50V DC

Function: 1P2T



Optional knob type

GAG	VAA	GBX			



# SS-12F25

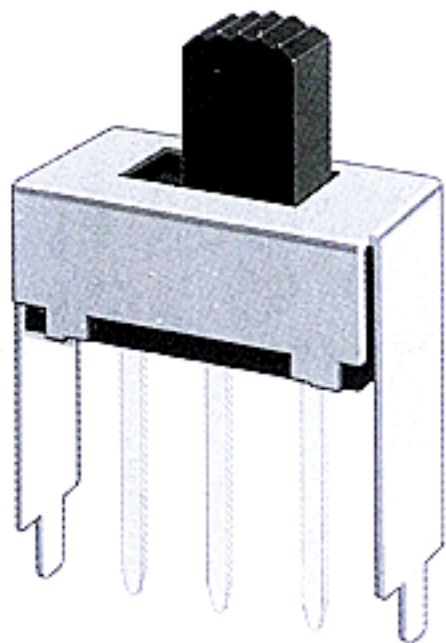
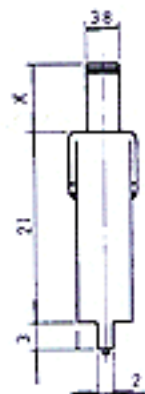
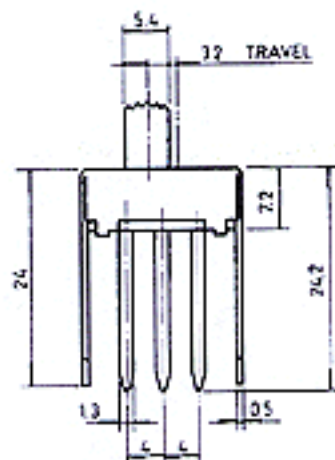
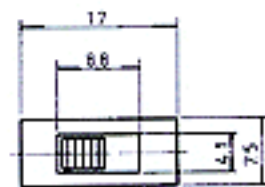
Rating : 0.5A 50V DC

Function: 1P2T



Optional knob type

GAA	GAB	GAC	GAD	GAE	GBR
GDB	TAN	ATA	NTA	MXD	



# SS-12F24

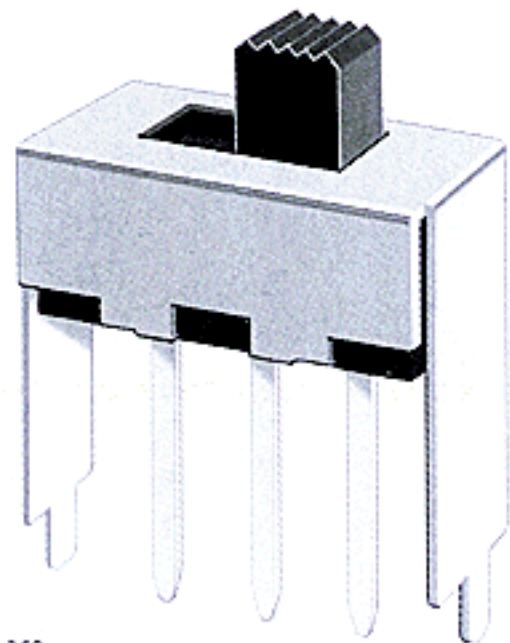
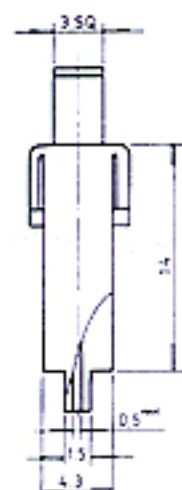
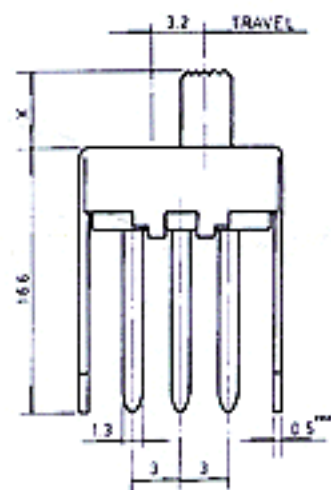
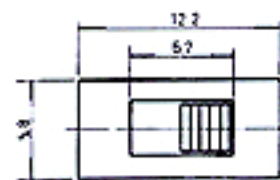
Rating : 0.5A 50V DC

Function: 1P2T



Optional knob type

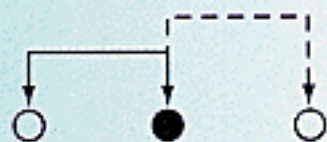
GBC	VAA	GBX	ATB	NYB	



# SS-12F23

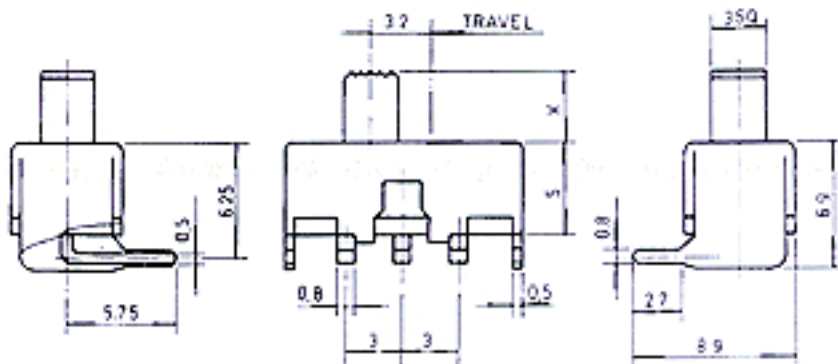
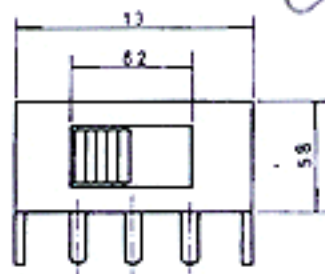
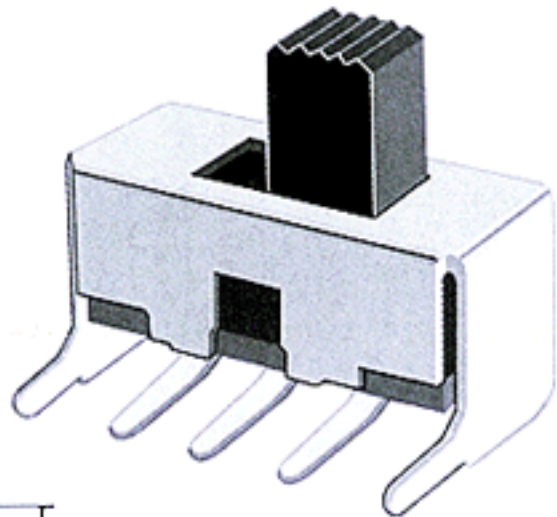
Rating : 0.5A 50V DC

Function: 1P2T



Optional knob type

GBG	VAA	GBX	ATB	NYB	





# SS-12F22

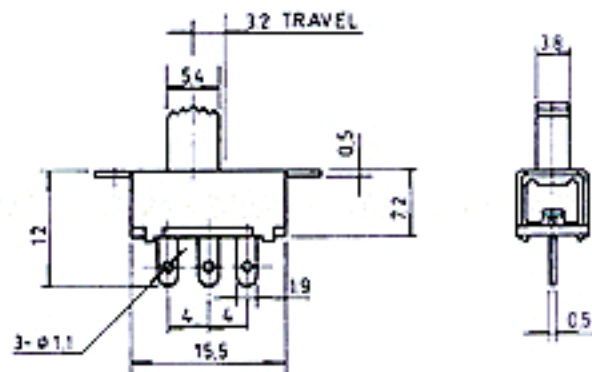
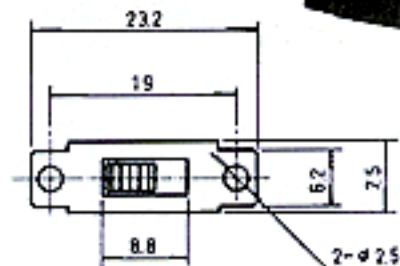
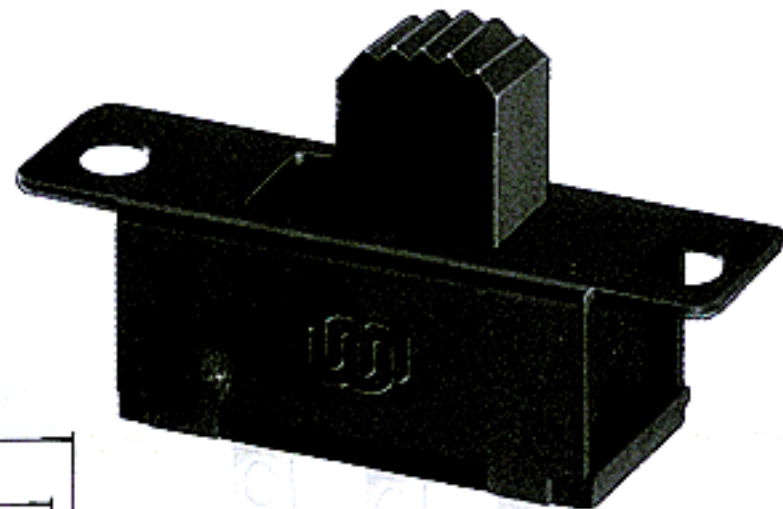
Rating : 0.5A 50V DC

Function: 1P2T



Optional knob type

GAA	GAB	GAC	GAD	GAE	GBR
GDB	TAN	ATA	NTA	MXD	



# SS-12F21

Rating : 0.5A 50V DC

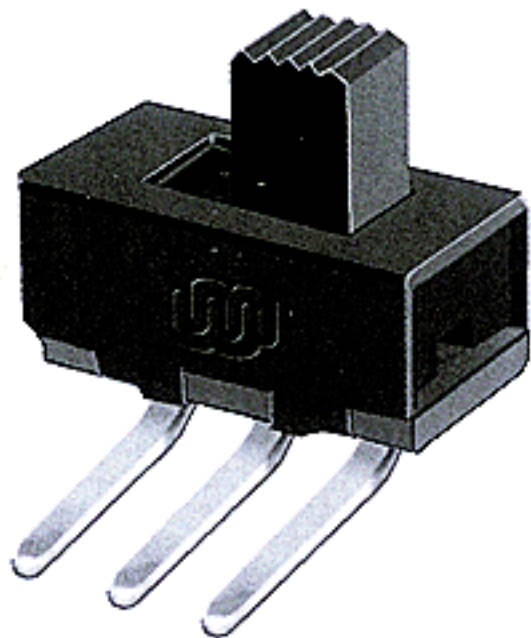
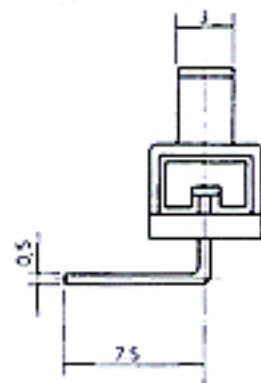
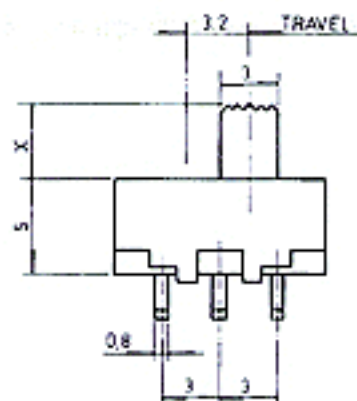
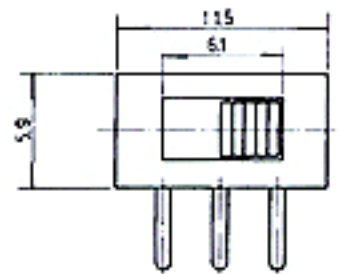
Function: 1P2T



Optional knob type



GBG	VAA	GBX			



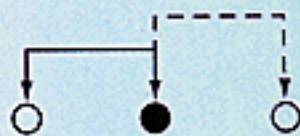
# SS-12F20

Rating : 0.5A 50V DC

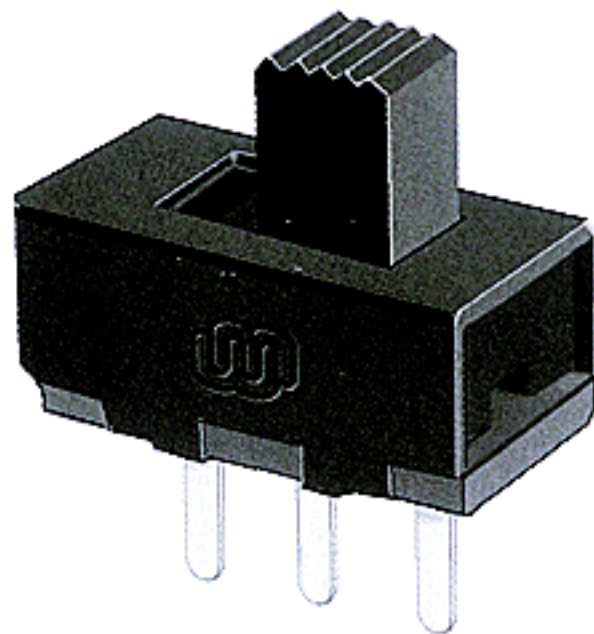
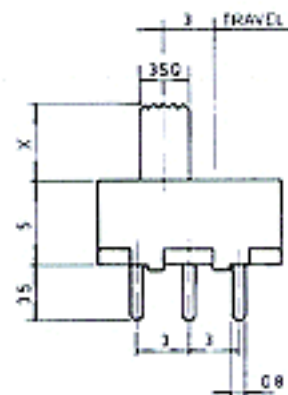
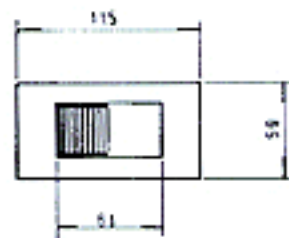
Function: 1P2T



Optional knob type



GBG	VAA	GBX			



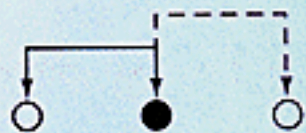
# SS-12F19

Rating : 0.5A 50V DC

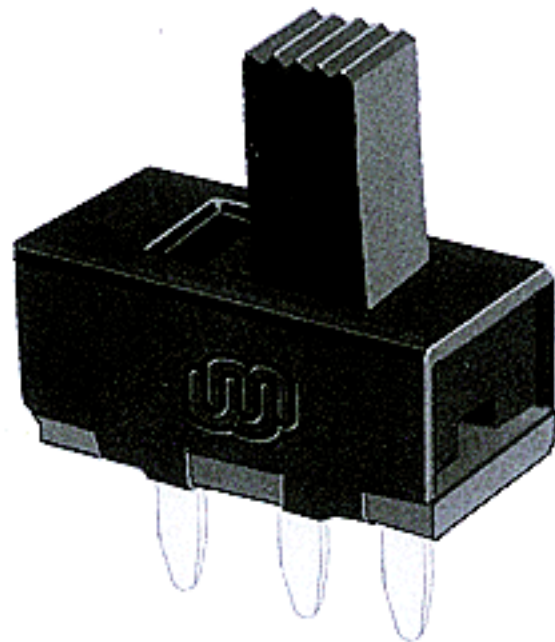
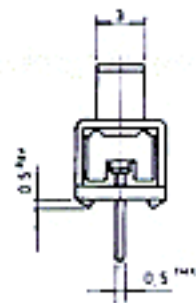
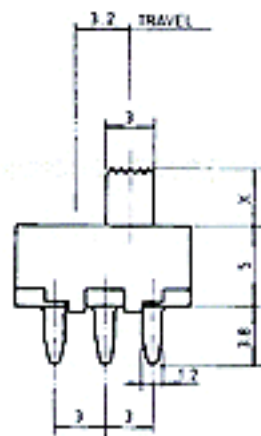
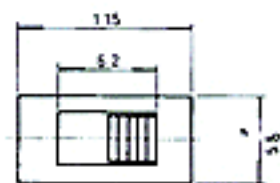
Function: 1P2T

N

Optional knob type



GBG	VAA	GBX			



# SS-12F18

Rating : 0.5A 50V DC

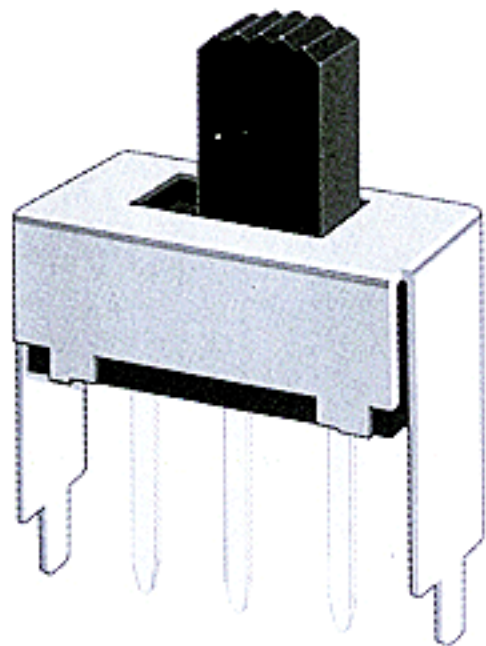
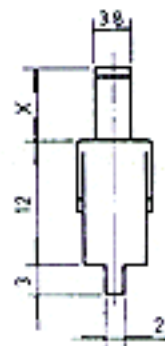
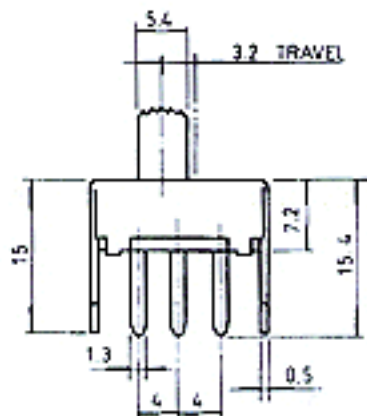
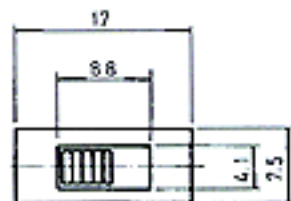
Function: 1P2T



Optional knob type



GAA	GAB	GAC	GAD	GAE	GBR
GDB	TAN	ATA	NTA	MXD	



# SS-12F17

Rating : 0.5A 50V DC

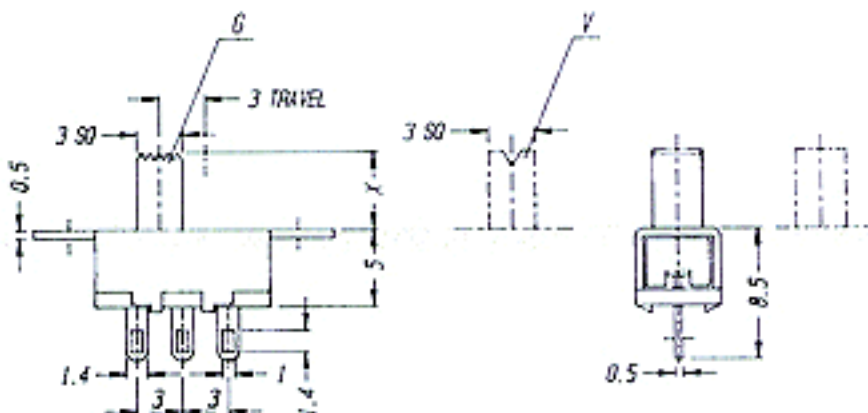
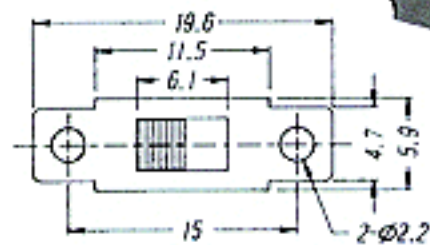
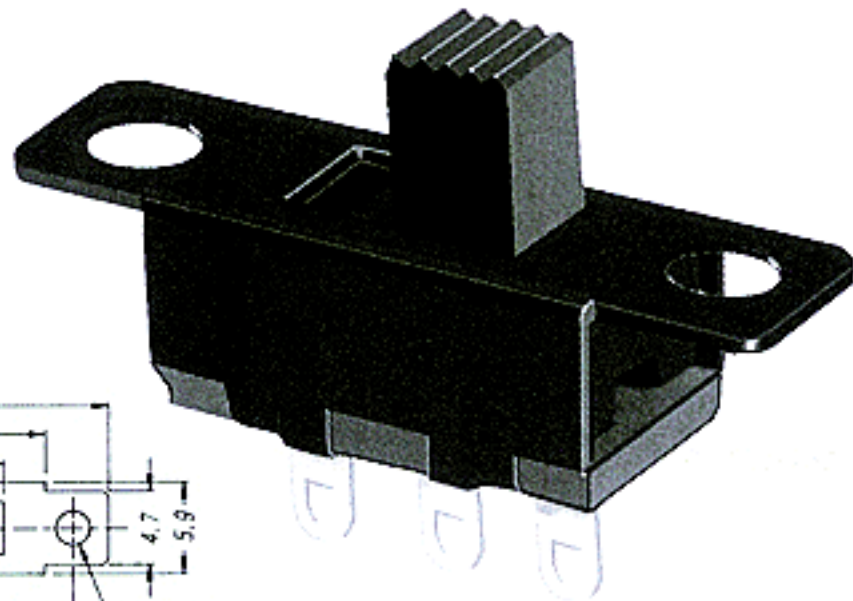
Function: 1P2T



Optional knob type



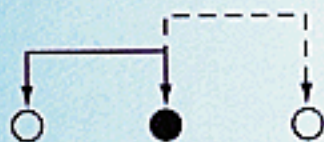
GBG	VAA	GBX			



# SS-12F16

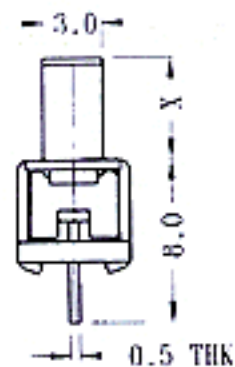
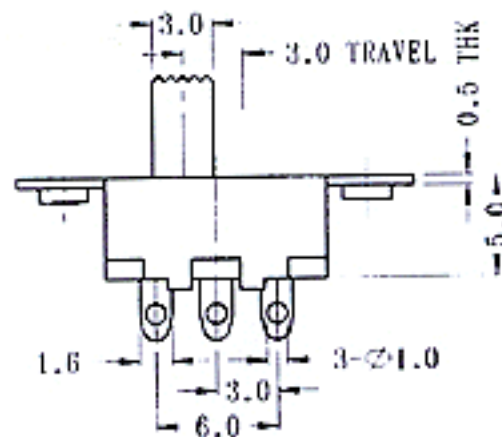
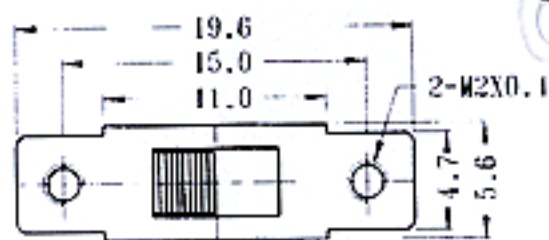
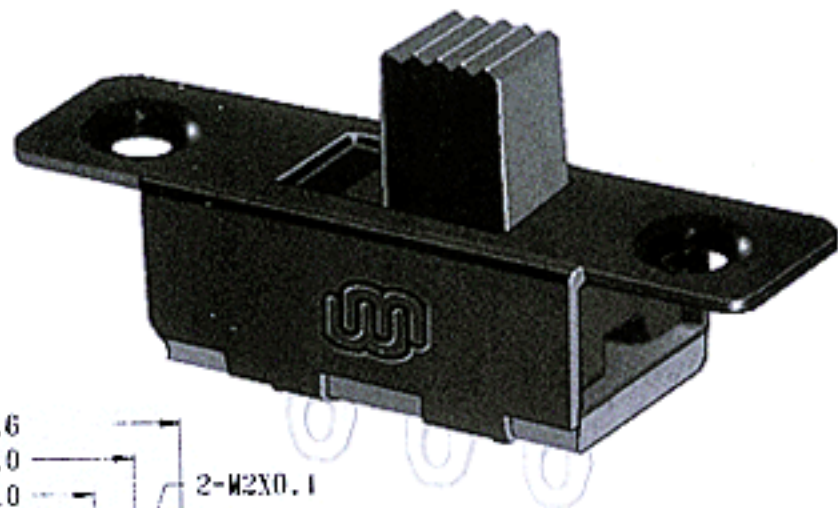
Rating : 0.5A 50V DC

Function: 1P2T



Optional knob type

GBG	VAA	GBX			



# SS-12F15

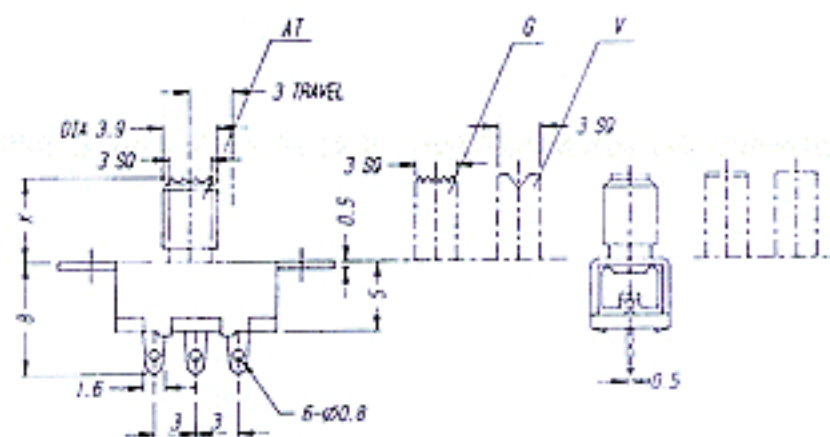
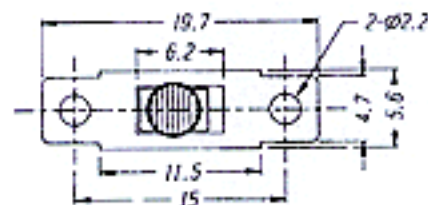
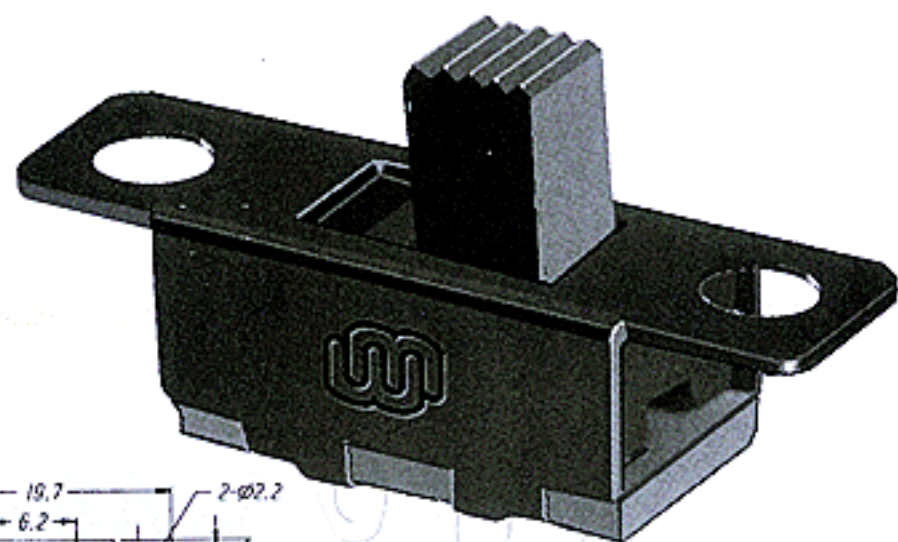
Rating : 0.5A 50V DC

Function: 1P2T



Optional knob type

GBG	VAA	GBX			





# SS-12F13

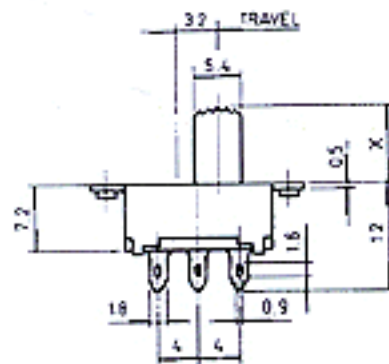
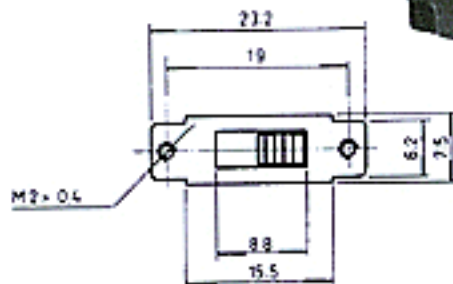
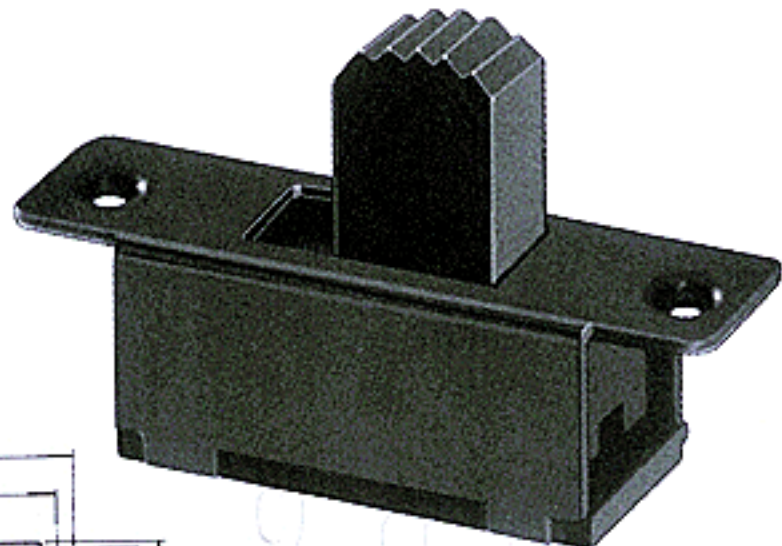
Rating : 0.5A 50V DC

Function: 1P2T



Optional knob type

GAA	GAB	GAC	GAD	GAE	GBR
GDB	TAN	ATA	NTA	MXD	



# SS-12F12

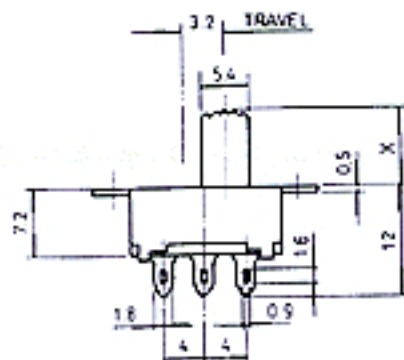
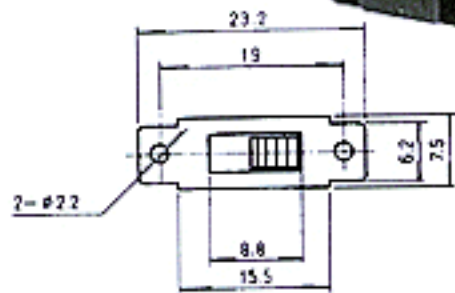
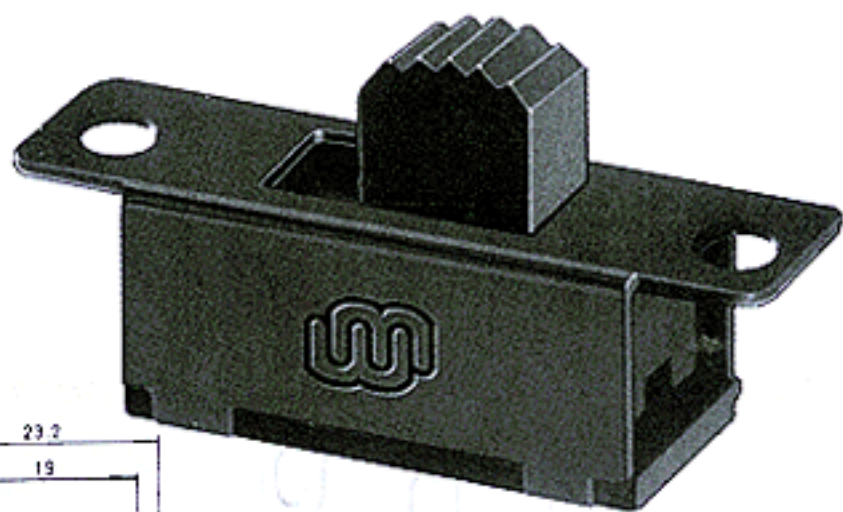
Rating : 0.5A 50V DC

Function: 1P2T



Optional knob type

GAA	GAB	GAC	GAD	GAE	GBR
GDB	TAN	ATA	NTA	MXD	



# SS-12F09

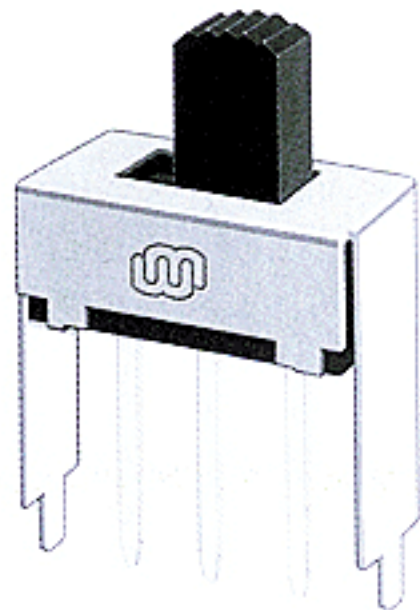
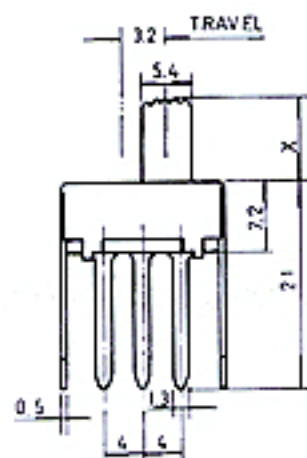
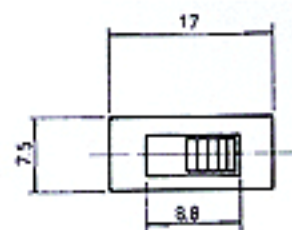
Rating : 0.5A 50V DC

Function: 1P2T



Optional knob type

GAA	GAB	GAC	GAD	GAE	GBR
GDB	TAN	ATA	NTA	MXD	



# SS-12F08

Rating : 0.5A 50V DC

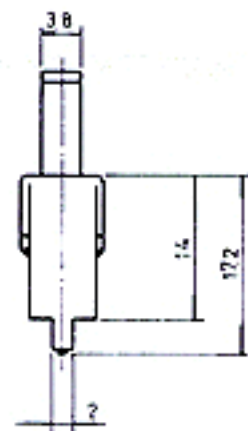
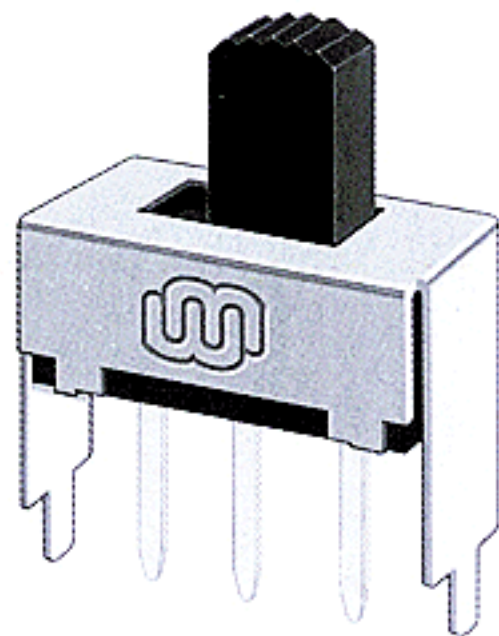
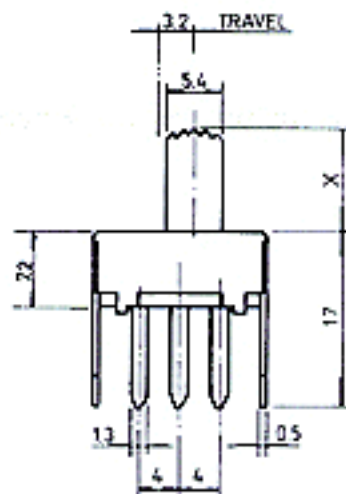
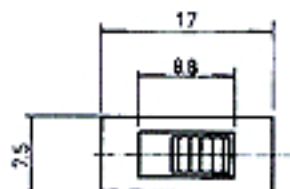
Function: 1P2T



Optional knob type



GAA	GAB	GAC	GAD	GAE	GBR
GDB	TAN	ATA	NTA	MXD	



# SS-12F07

Rating : 0.5A 50V DC

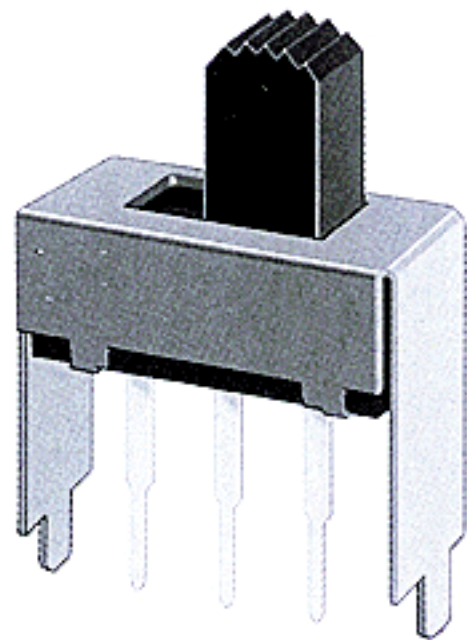
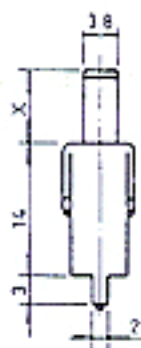
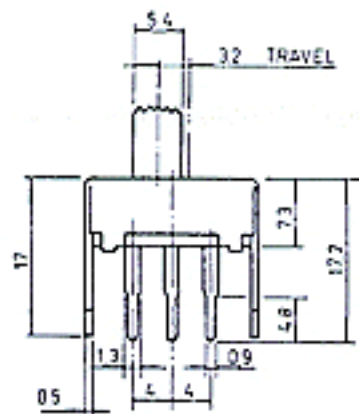
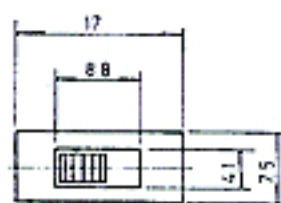
Function: 1P2T



Optional knob type



GAA	GAB	GAC	GAD	GAE	GBR
GDB	TAN	ATA	NTA	MXD	



# SS-12F04

Rating : 0.5A 50V DC

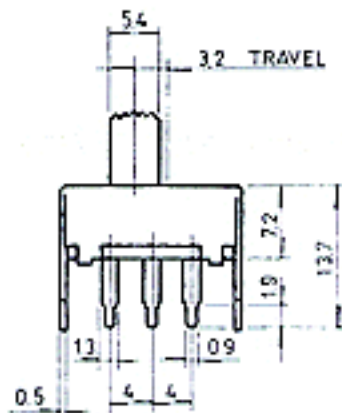
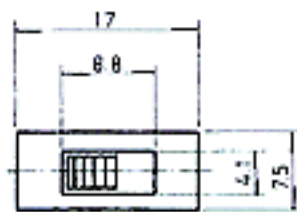
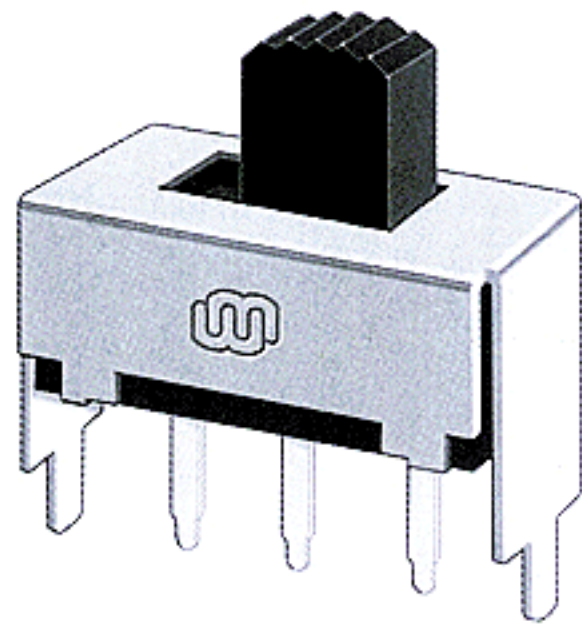
Function: 1P2T



Optional knob type



GAA	GAB	GAC	GAD	GAE	GBR
GDB	TAN	ATA	NTA	MXD	



# SS-12F03

Rating : 0.5A 50V DC

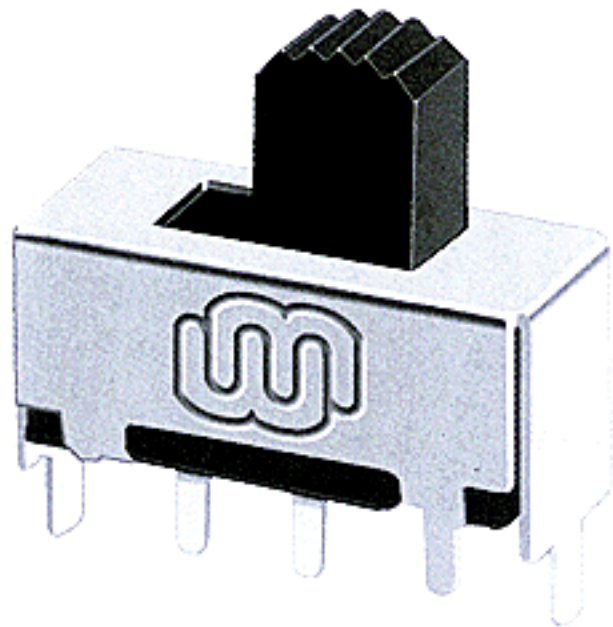
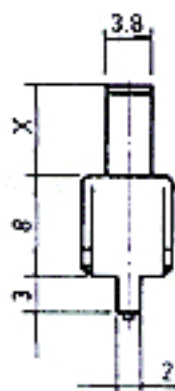
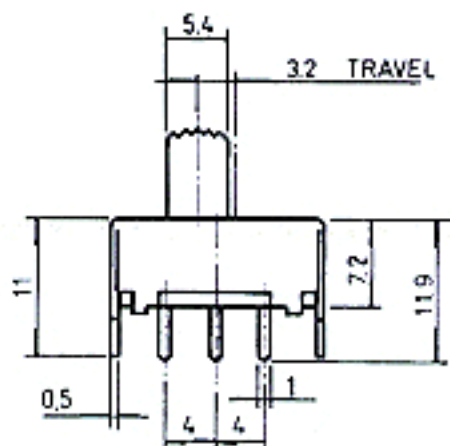
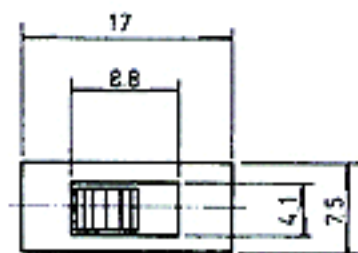
Function: 1P2T



Optional knob type



GAA	GAB	GAC	GAD	GAE	GBR
GDB	TAN	ATA	NTA	MXD	



# SS-12F02

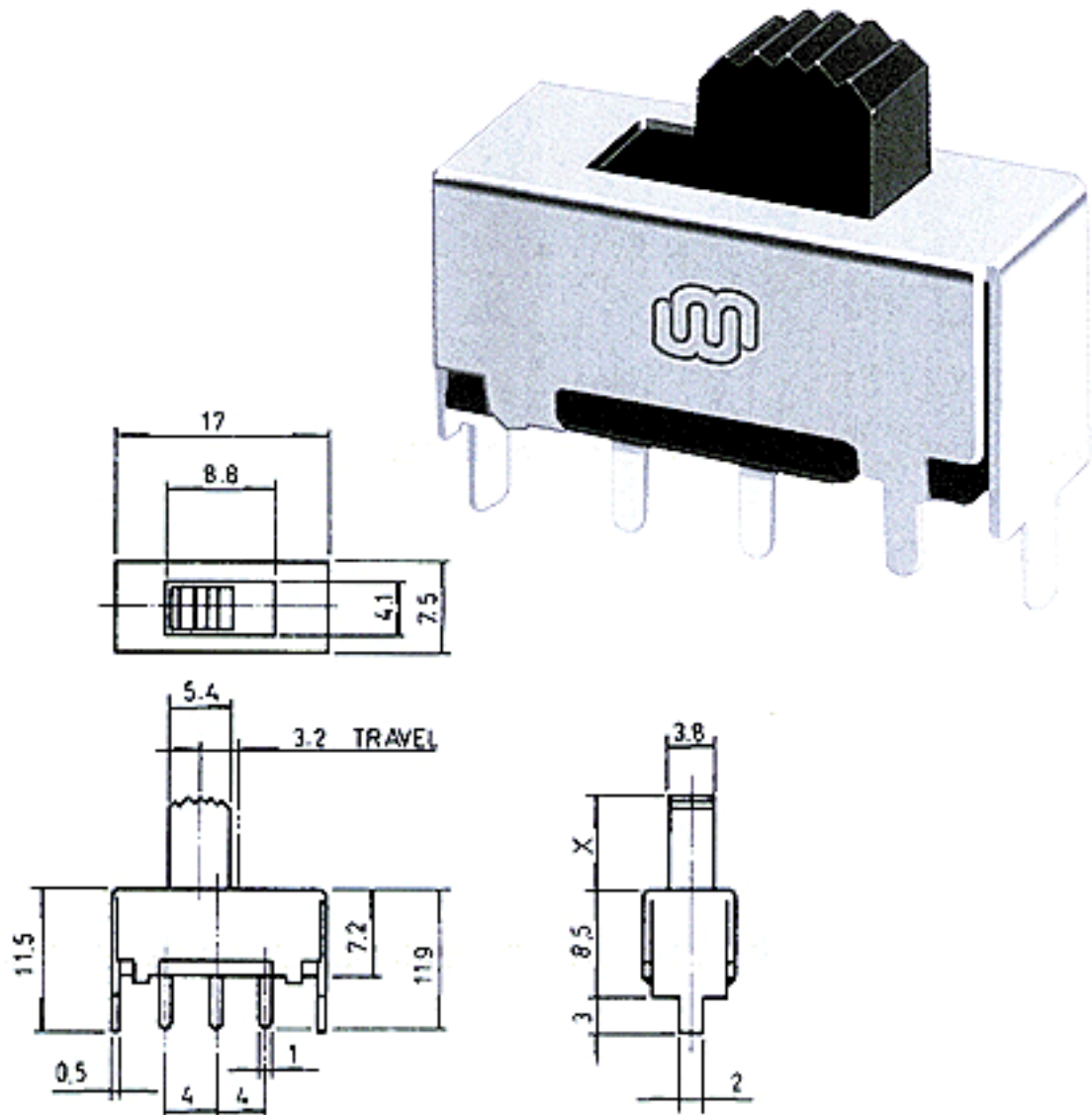
Rating : 0.5A 50V DC

Function: 1P2T



Optional knob type

GAA	GAB	GAC	GAD	GAE	GBR
GDB	TAN	ATA	NTA	MXD	

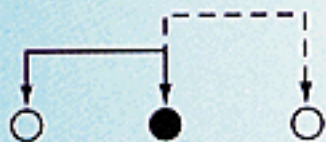




# SS-12F01

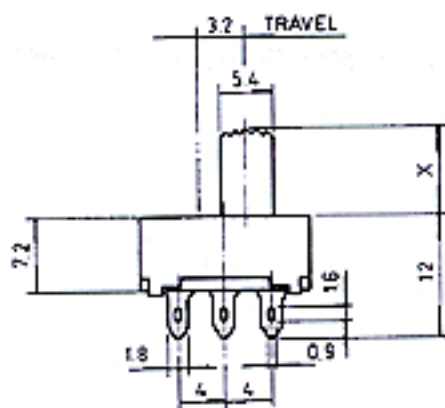
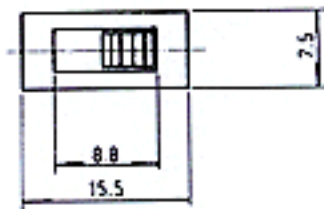
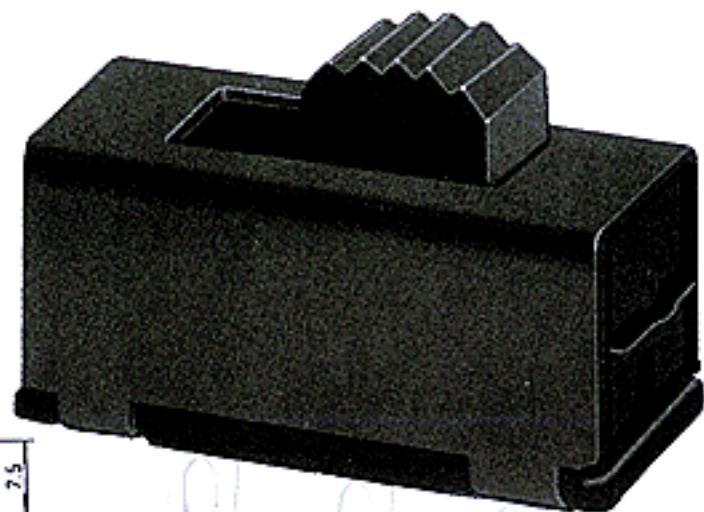
Rating : 0.5A 50V DC

Function: 1P2T



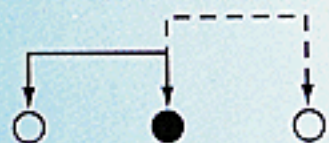
Optional knob type

GAA	GAB	GAC	GAD	GAE	GBR
GDB	TAN	ATA	NTA	MXD	



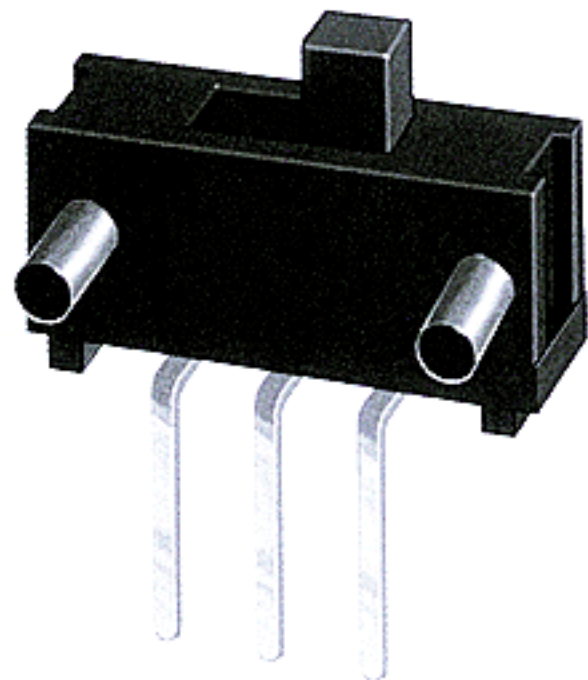
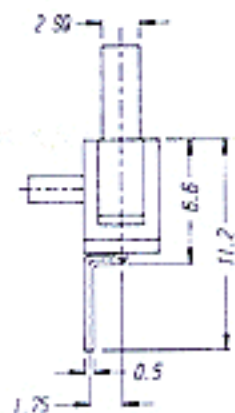
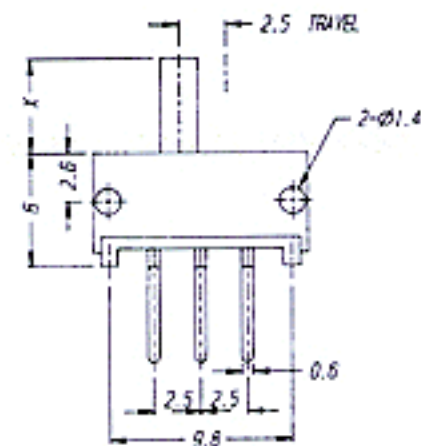
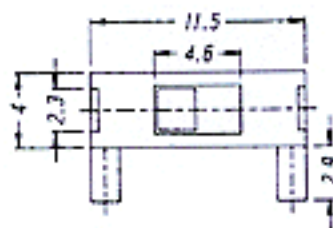
# SS-12E08

Rating : 0.3A 50V DC  
Function: 1P2T



Optional knob type

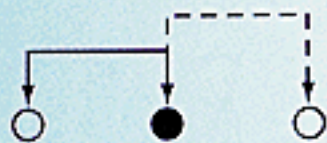
TAC					



# SS-12E06

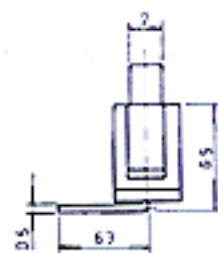
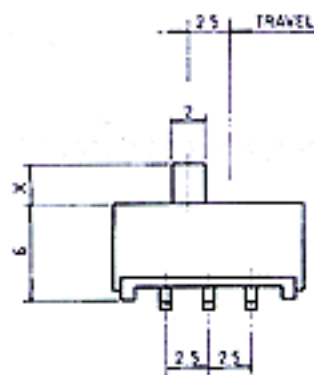
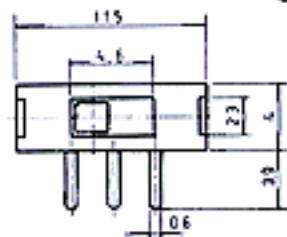
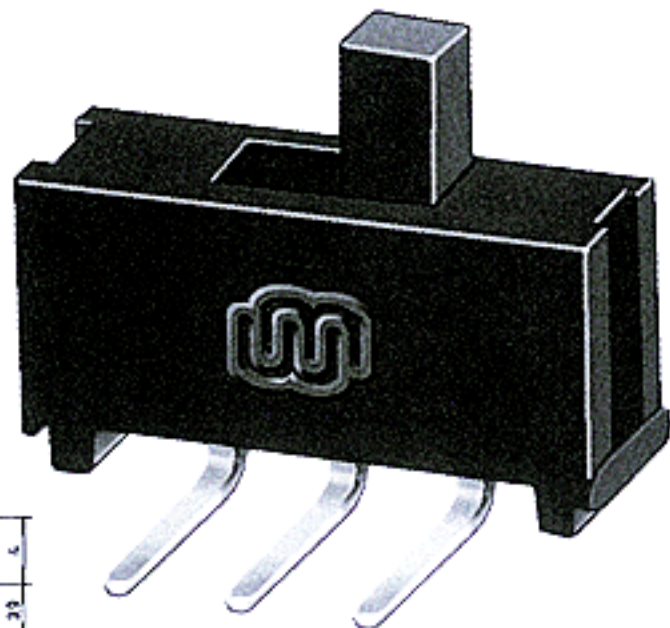
Rating : 0.3A 50V DC

Function: 1P2T



Optional knob type

TAC					



# SS-12E05

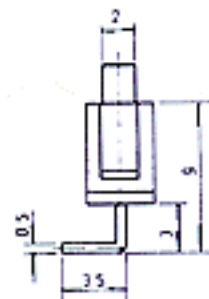
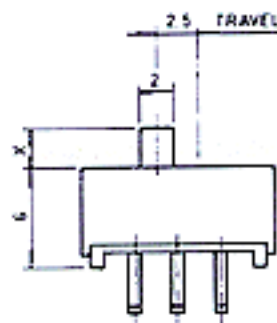
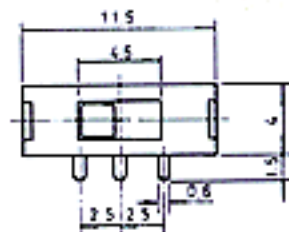
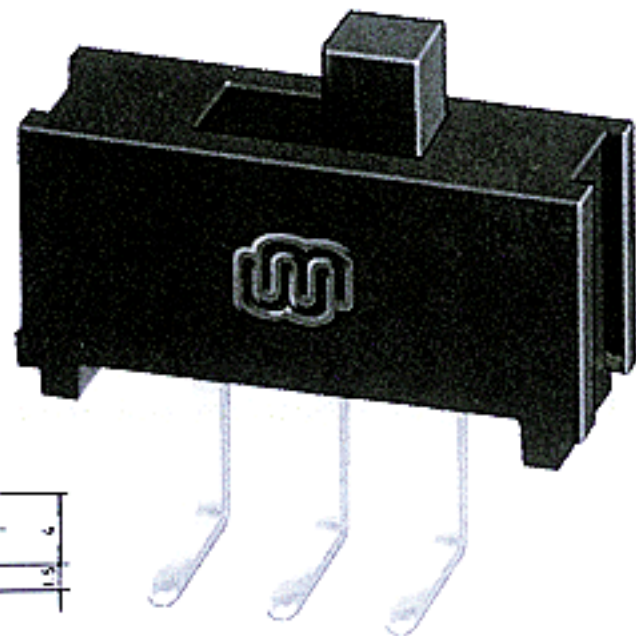
Rating : 0.3A 50V DC

Function: 1P2T



Optional knob type

TAC					



# SS-12E04

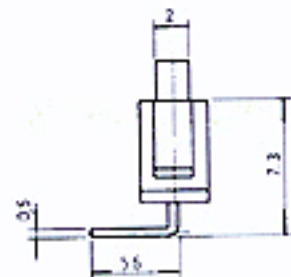
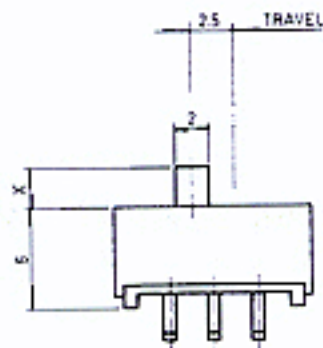
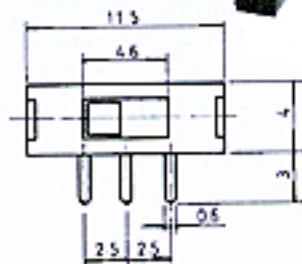
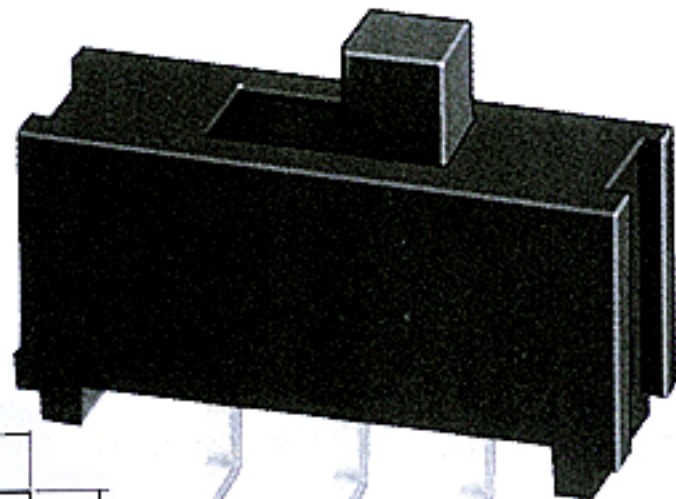
Rating : 0.3A 50V DC

Function: 1P2T



Optional knob type

TAC					



# SS-12E03

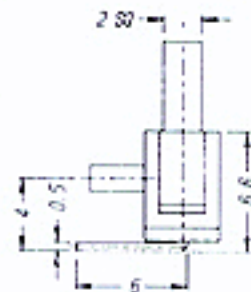
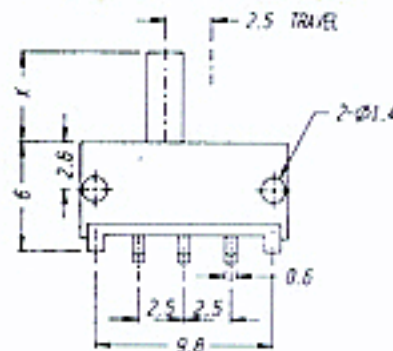
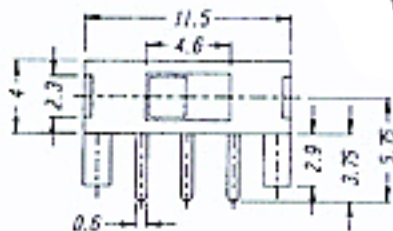
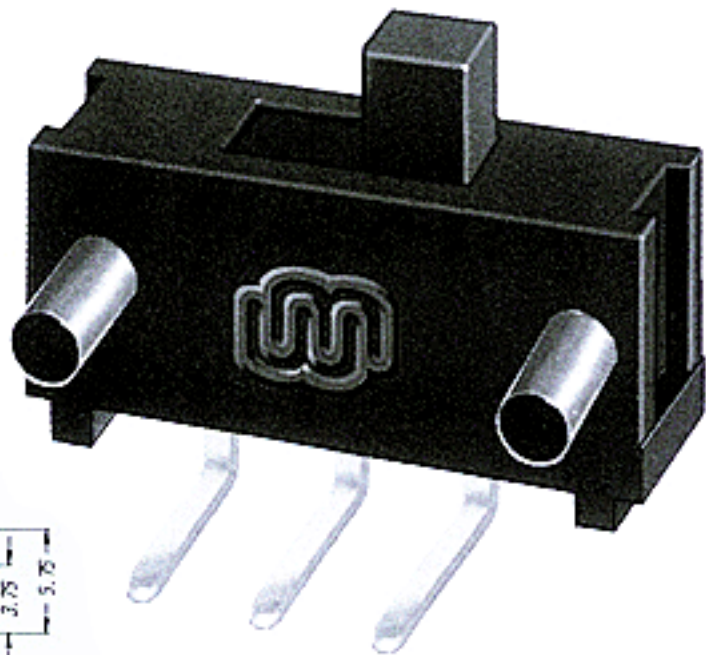
Rating : 0.3A 50V DC

Function: 1P2T



Optional knob type

TAC					



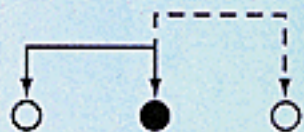
# SS-12E01

Rating : 0.3A 50V DC

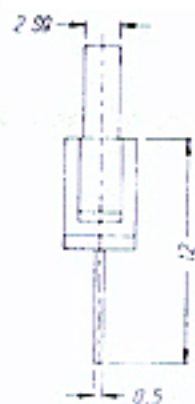
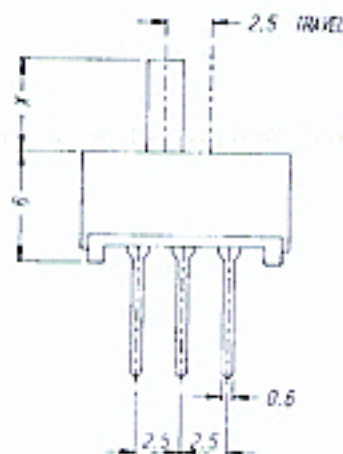
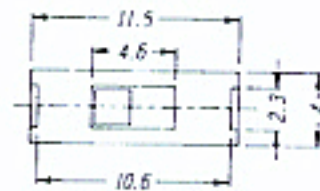
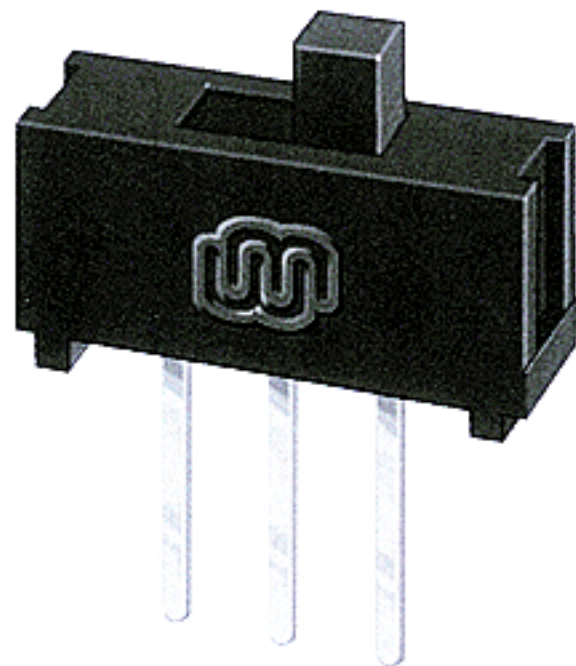
Function: 1P2T



Optional knob type



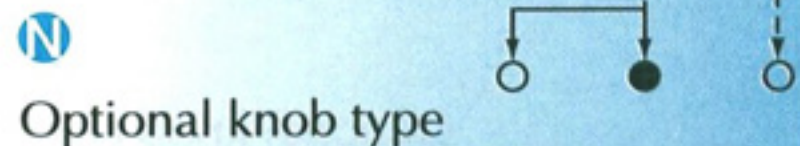
TAC					



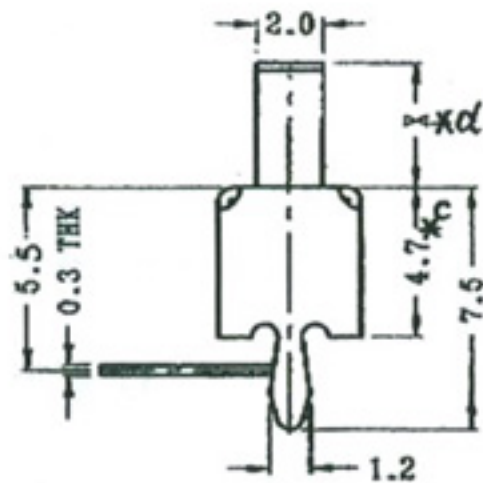
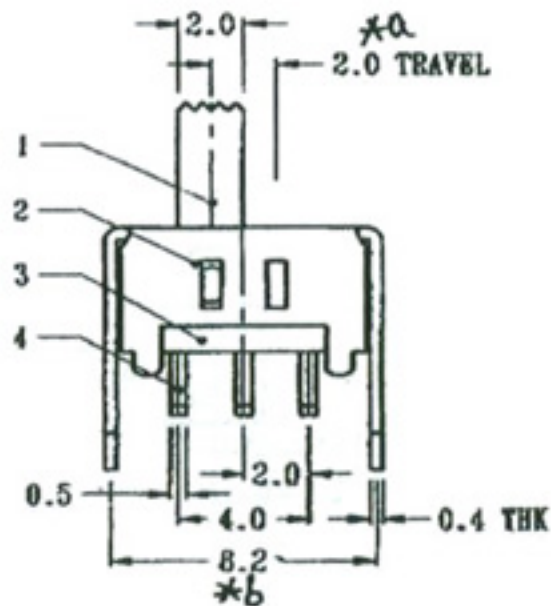
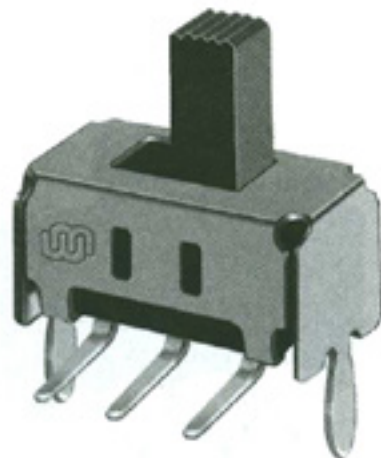
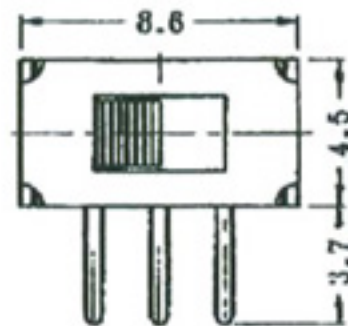
# SS-12D34

Rating : 0.3A 50V DC

Function: 1P2T



VAC	TAC	GEE			





# SS-12D25

Rating : 0.3A 50V DC

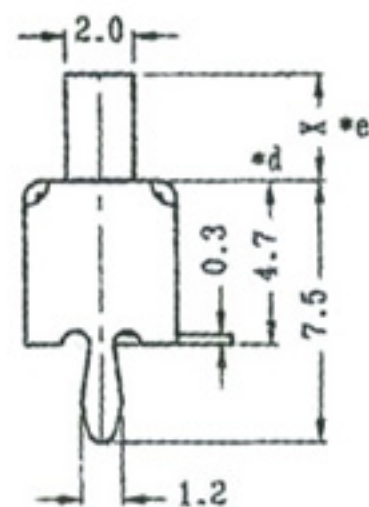
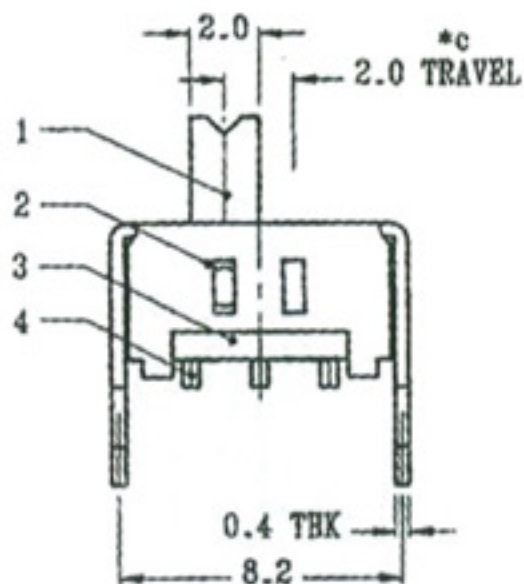
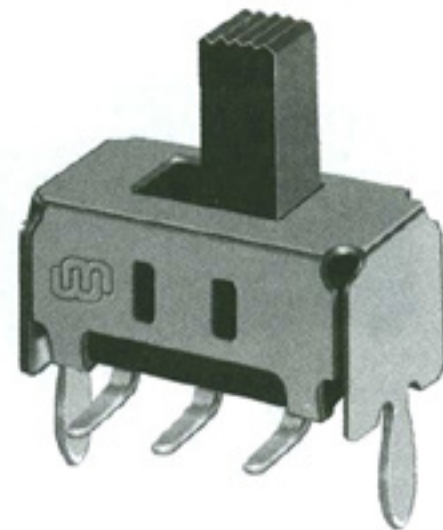
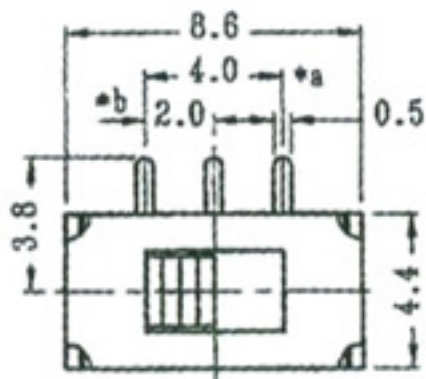
Function: 1P2T



Optional knob type



VAC	TAC	GEE			



# SS-12D23

Rating : 0.3A 50V DC

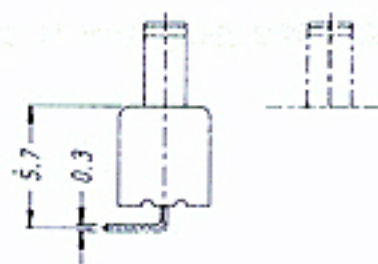
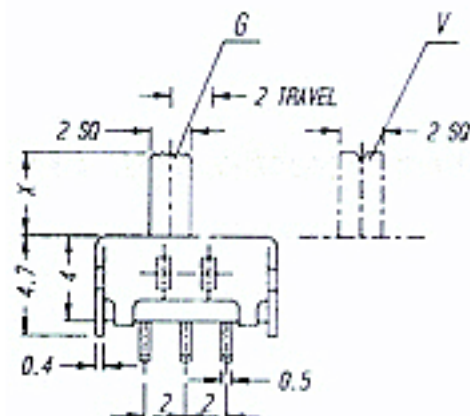
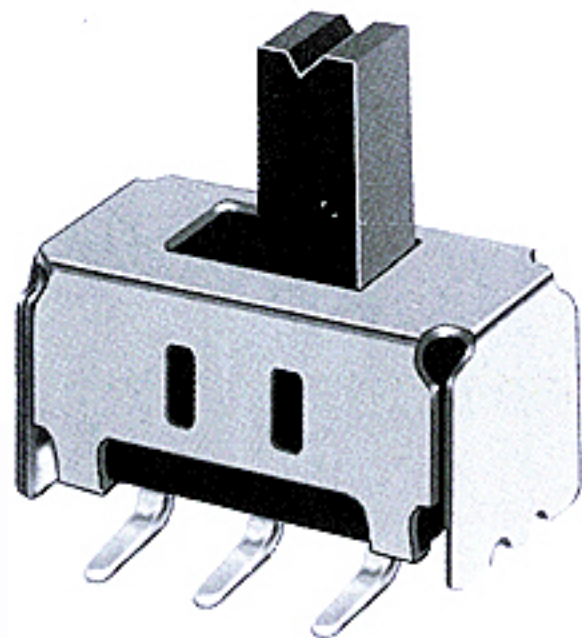
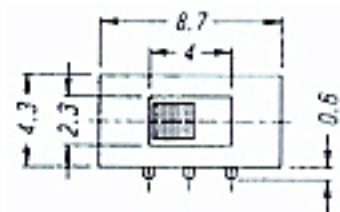
Function: 1P2T



Optional knob type



VAC	TAC	GEE			



# SS-12D22

Rating : 0.3A 50V DC

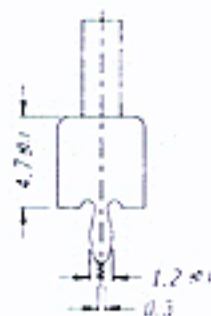
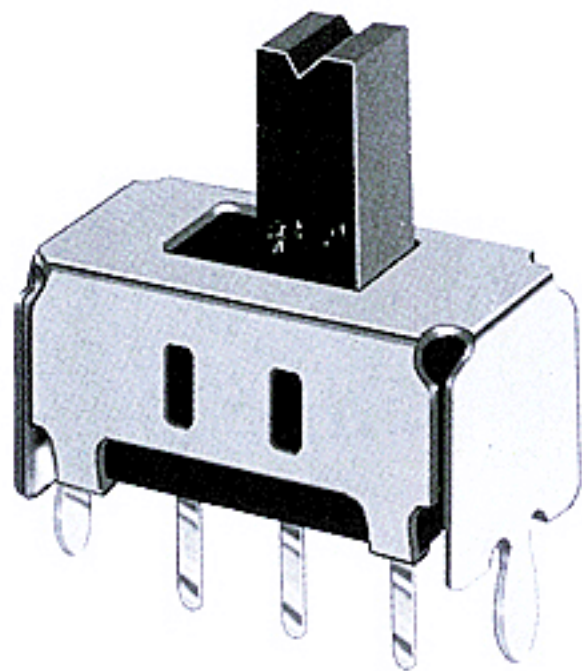
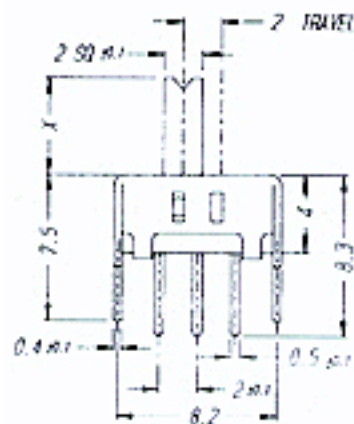
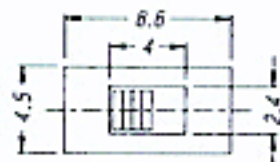
Function: 1P2T

N



Optional knob type

VAC	TAC	GEE			



# SS-12D21

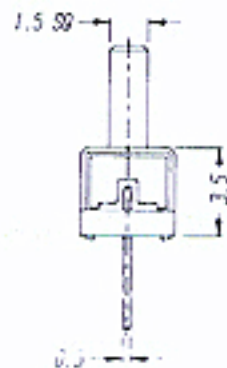
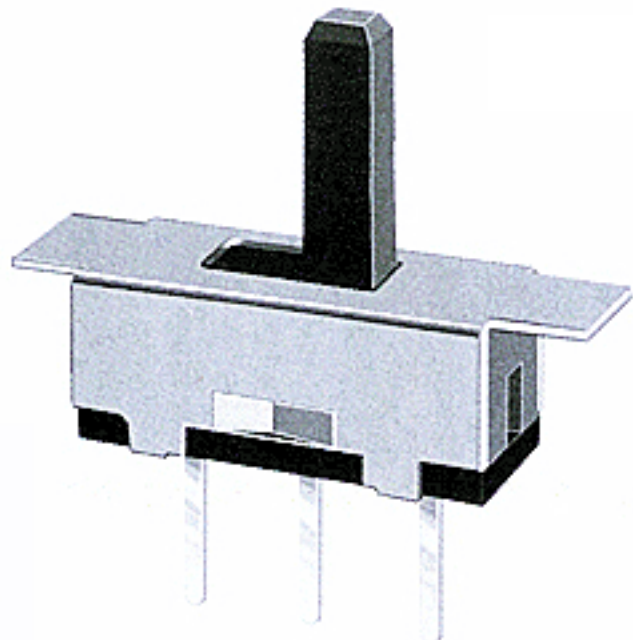
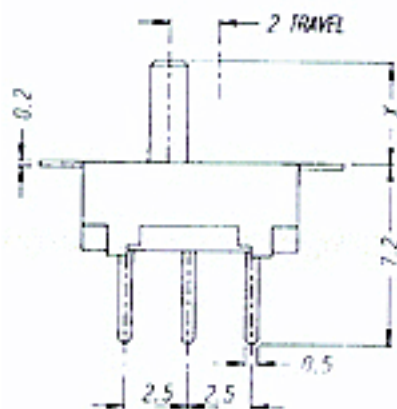
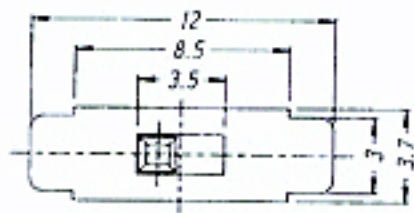
Rating : 0.3A 50V DC

Function: 1P2T



Optional knob type

TBA					



# SS-12D18

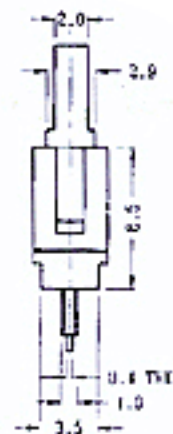
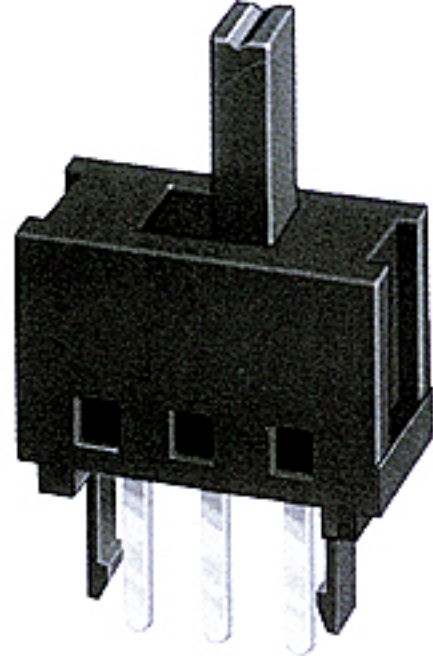
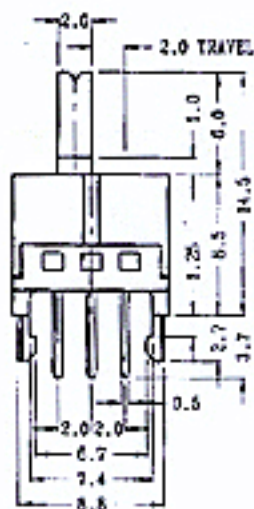
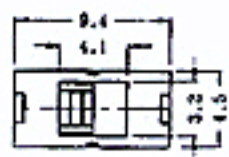
Rating : 0.3A 50V DC

Function: 1P2T



Optional knob type

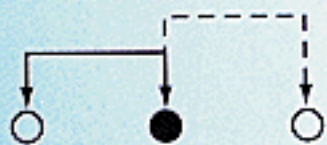
VAC	GEE				



# SS-12D13

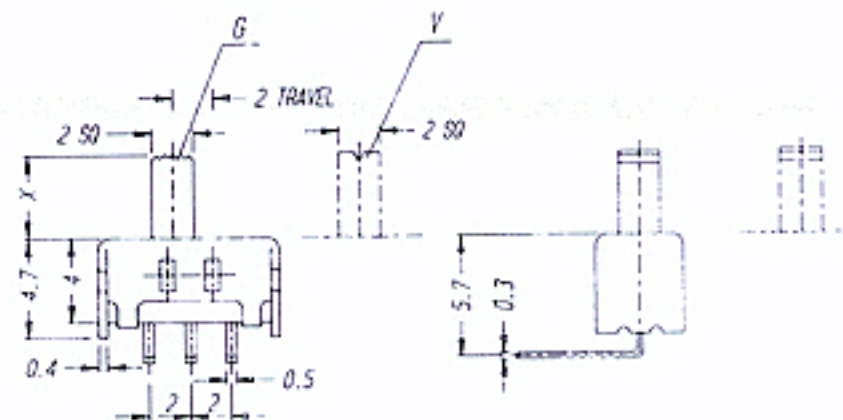
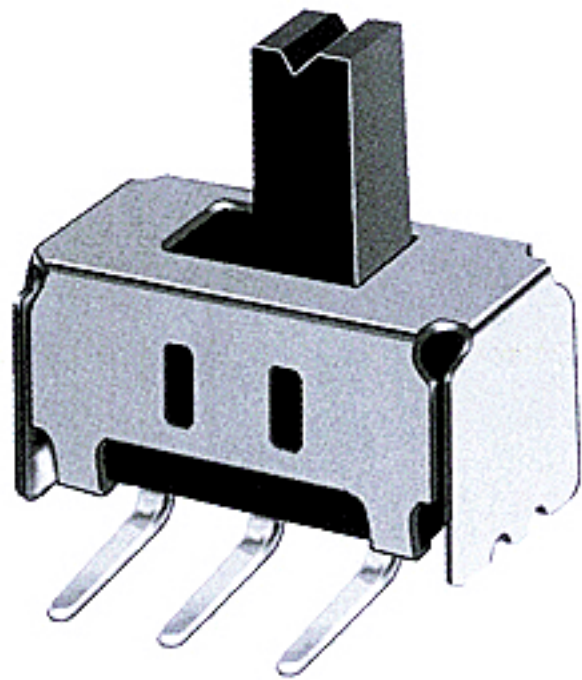
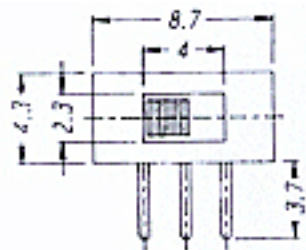
Rating : 0.3A 50V DC

Function: 1P2T



Optional knob type

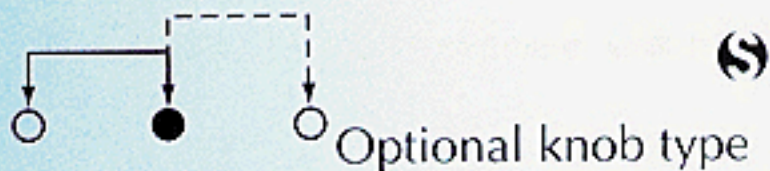
VAC	TAC	GEE			



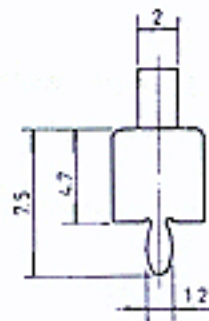
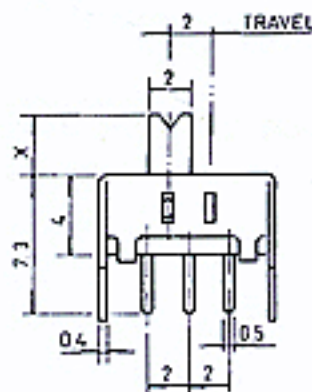
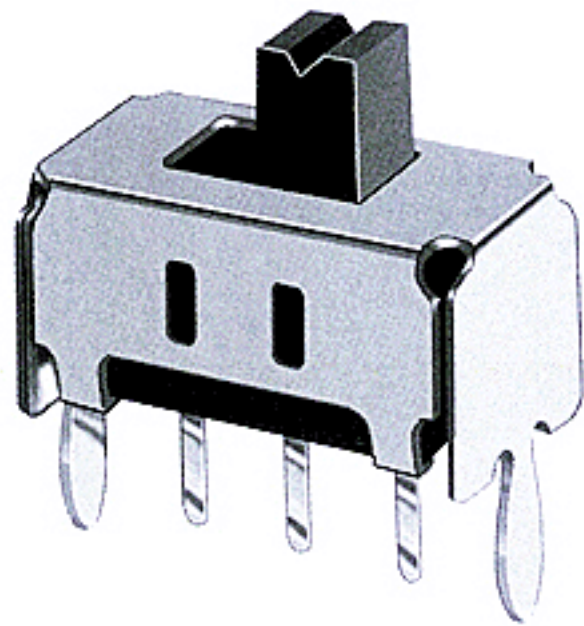
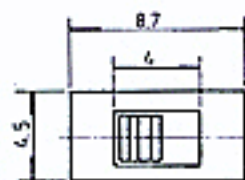
# SS-12D12

Rating : 0.3A 50V DC

Function: 1P2T



VAC	TAC	GEE			



# SS-12D11

Rating : 2A 125V AC

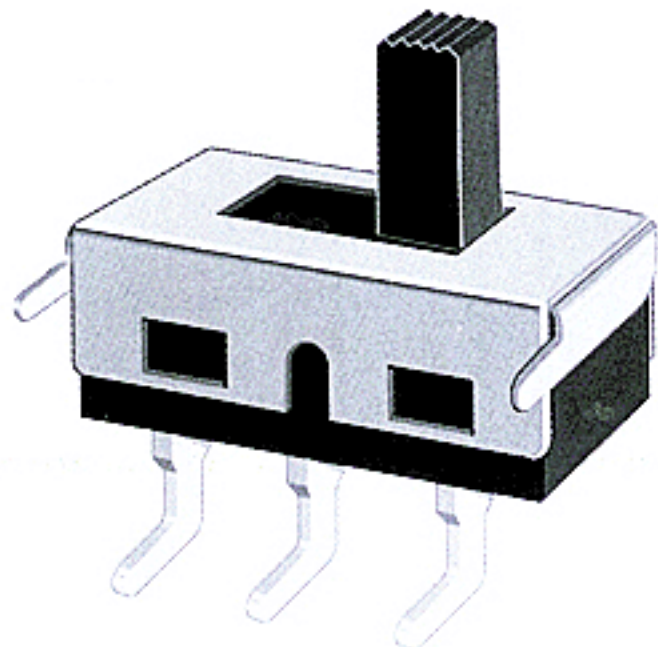
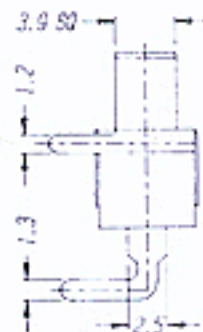
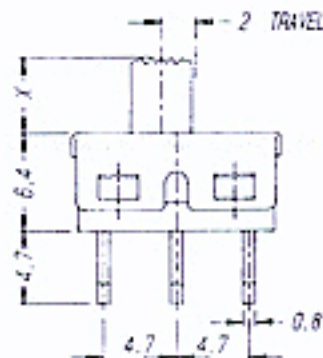
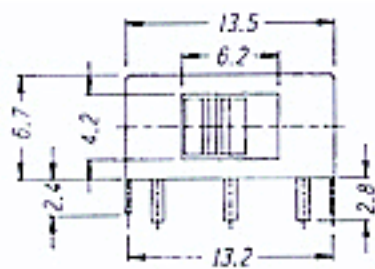
Function: 1P2T



Optional knob type



GDN	GBD				

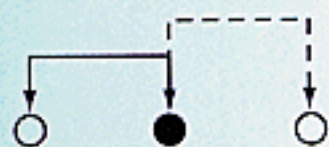




# SS-12D10

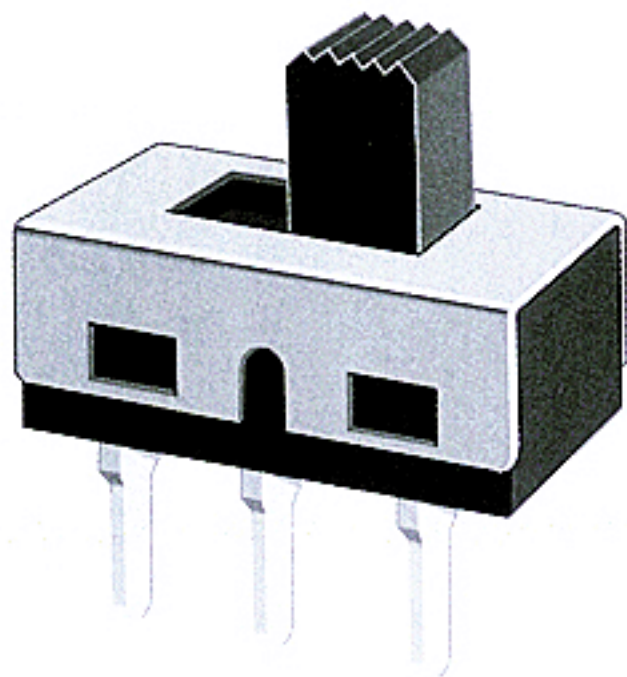
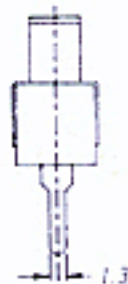
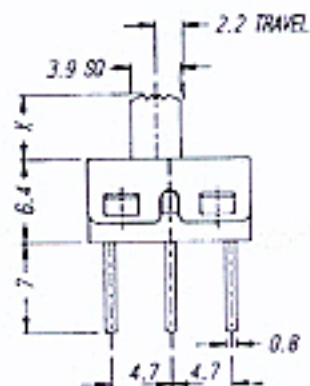
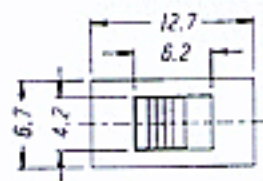
Rating : 2A 125V AC

Function: 1P2T



Optional knob type

GDN	GBD				



# SS-12D09

Rating : 0.3A 50V DC

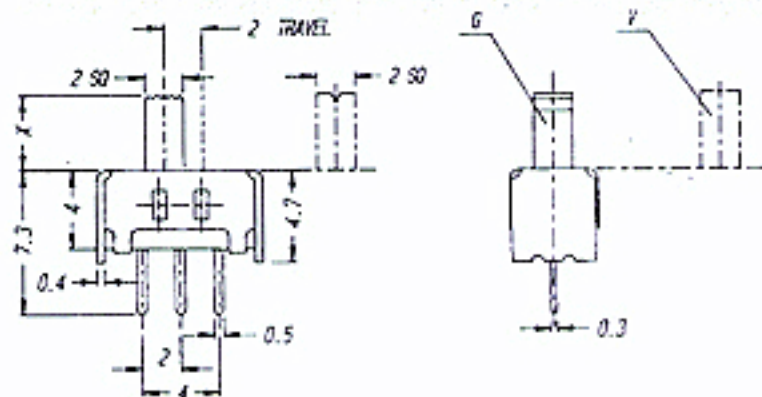
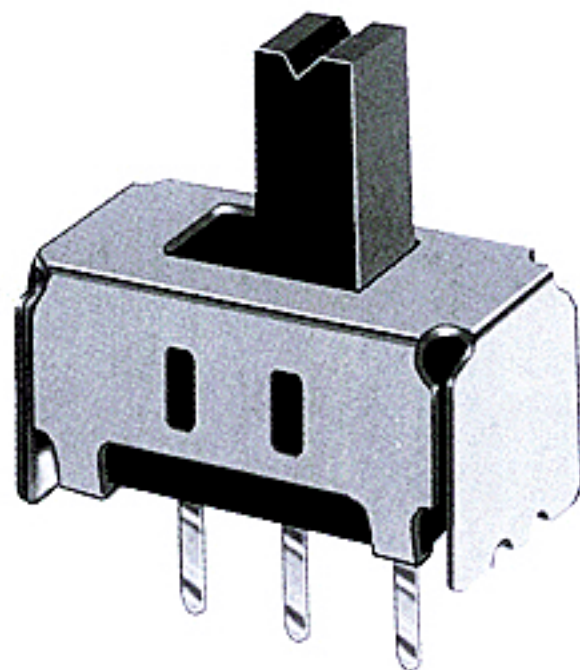
Function: 1P2T



Optional knob type



VAC	TAC	GEE			



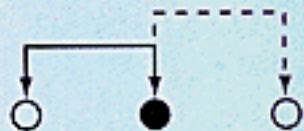
# SS-12D06

Rating : 2A 125V AC

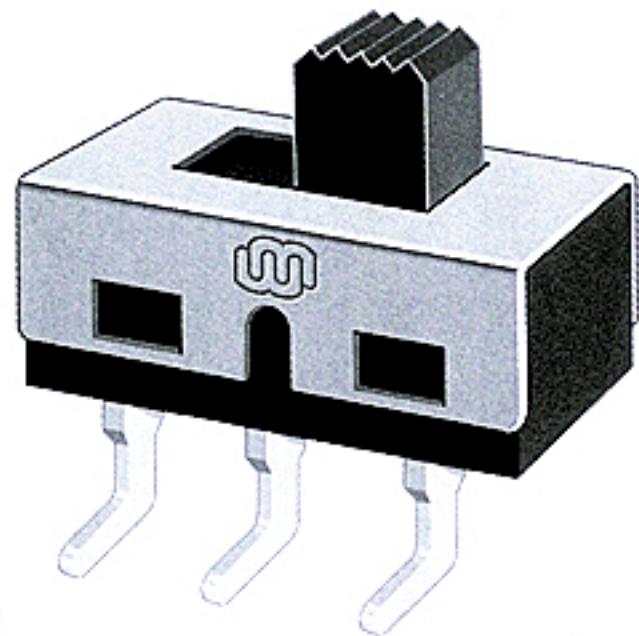
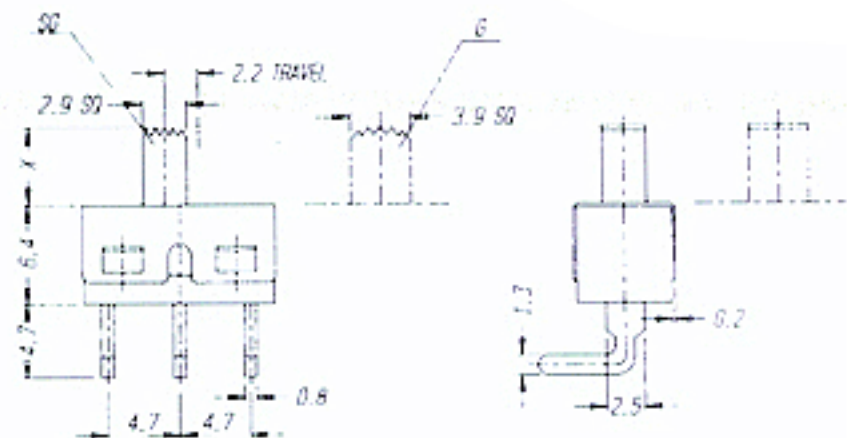
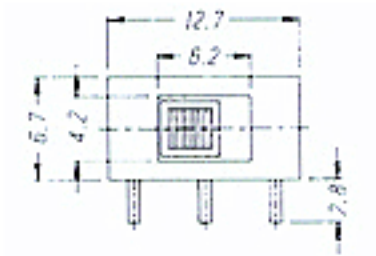
Function: 1P2T

N

Optional knob type



GDN	GBD				



# SS-12D03

Rating : 0.3A 50V DC

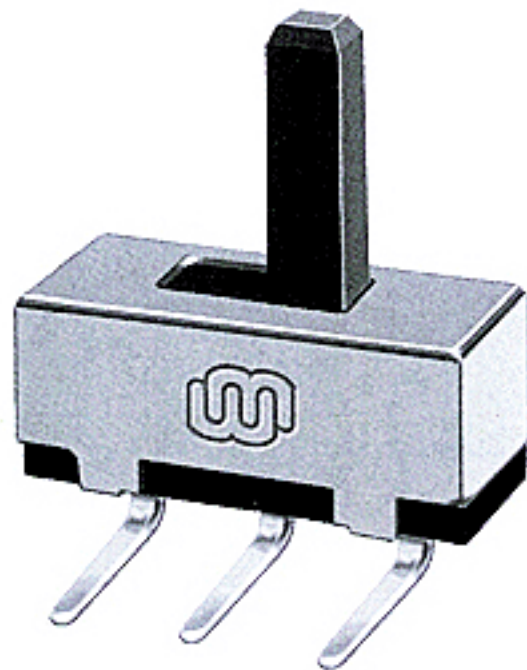
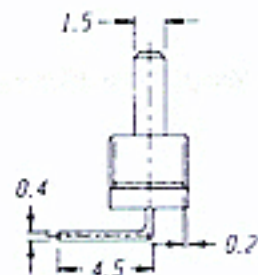
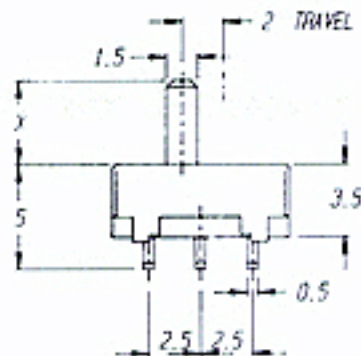
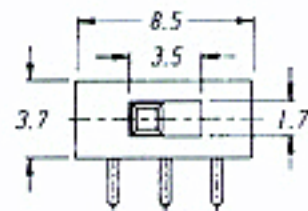
Function: 1P2T



Optional knob type



TBA					



# SS-12D02

Rating : 0.3A 50V DC

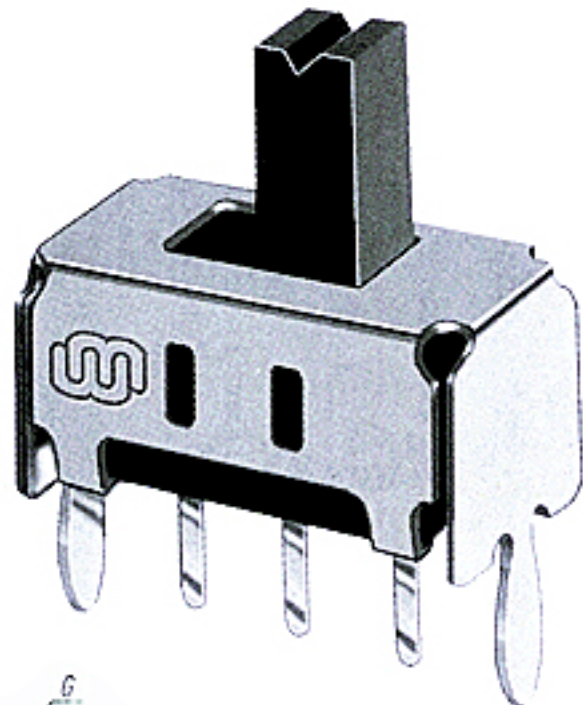
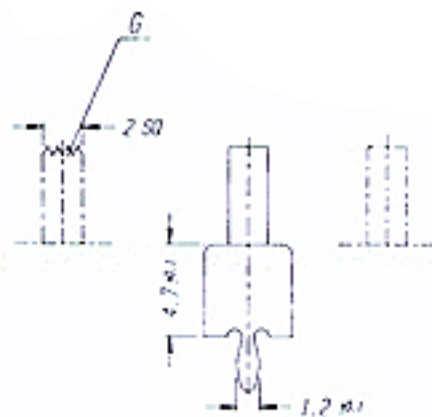
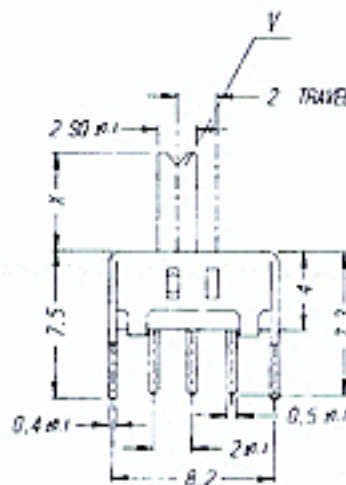
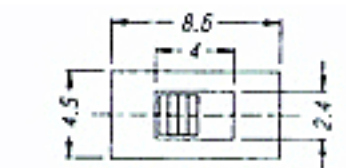
Function: 1P2T



Optional knob type



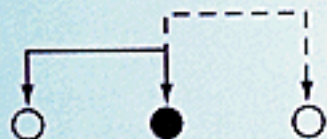
VAC	TAC	GEE			



# SS-12F47

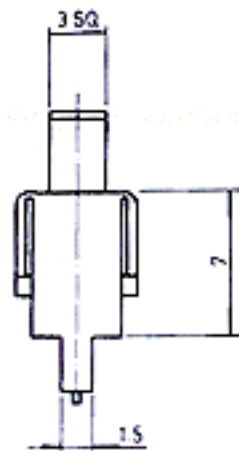
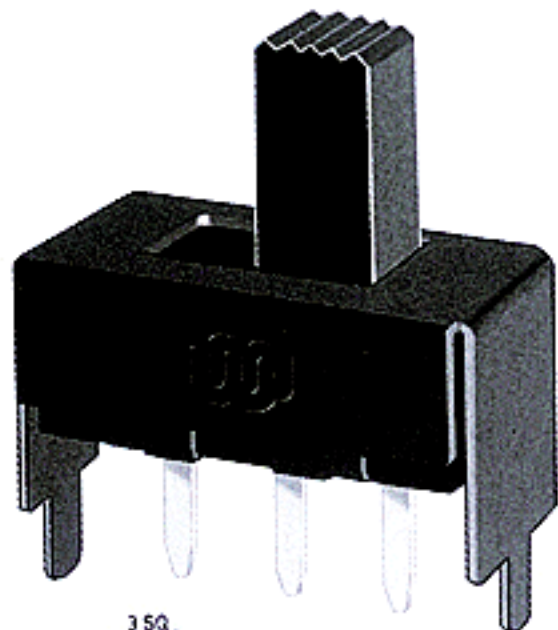
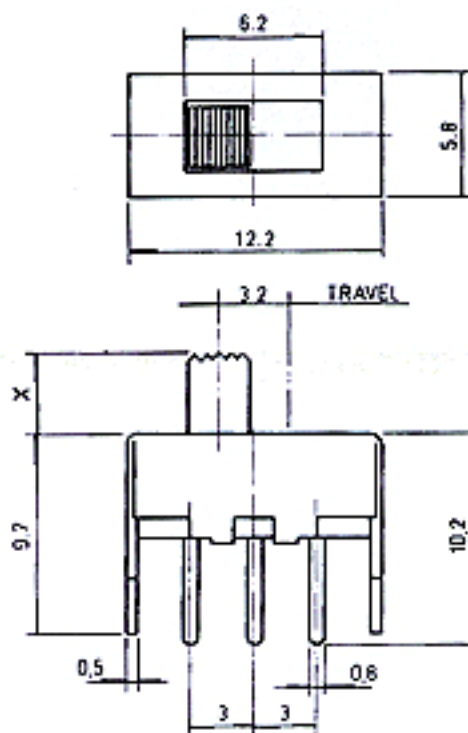
Rating : 0.5A 50V DC

Function: 1P2T



Optional knob type

GBG	VAA	GBX	ATB	NYB	



# SS-12F46

Rating : 0.5A 50V DC

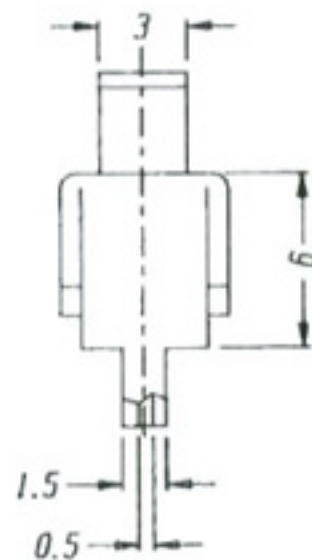
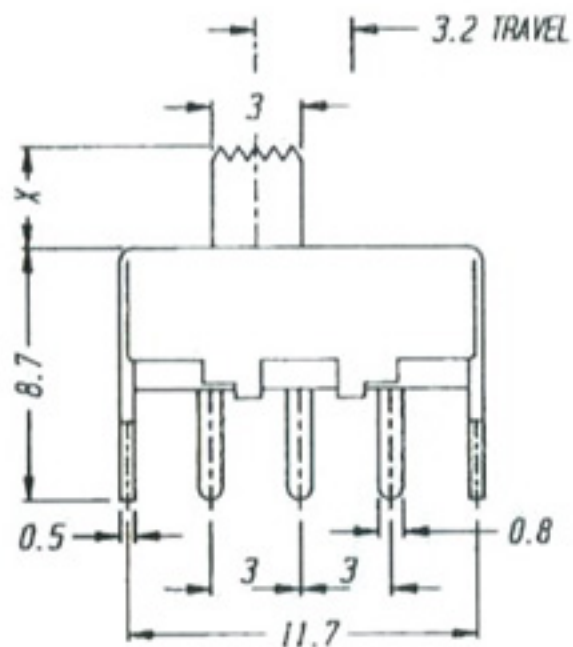
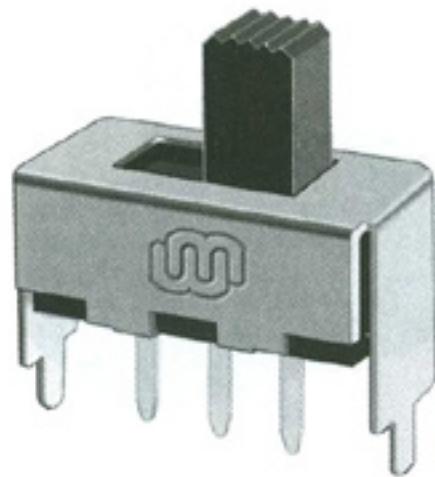
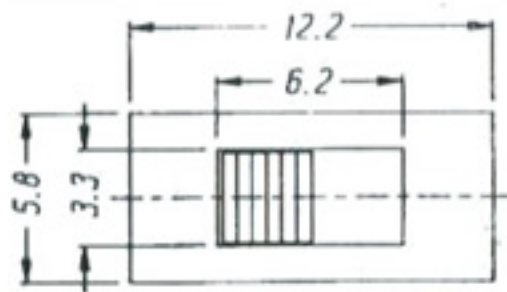
Function: 1P2T

N

Optional knob type



GBG	VAA	GBX	ATB	NYB	



# SS-12F45

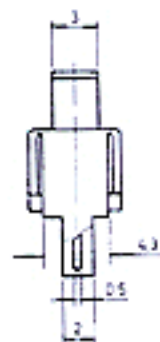
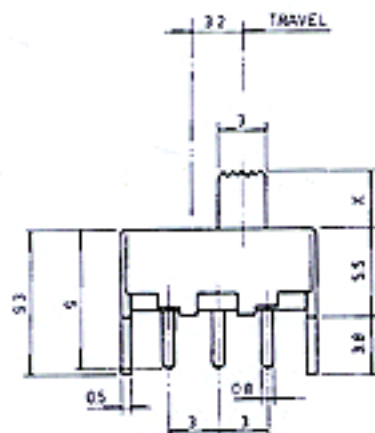
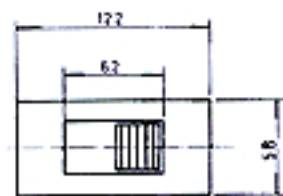
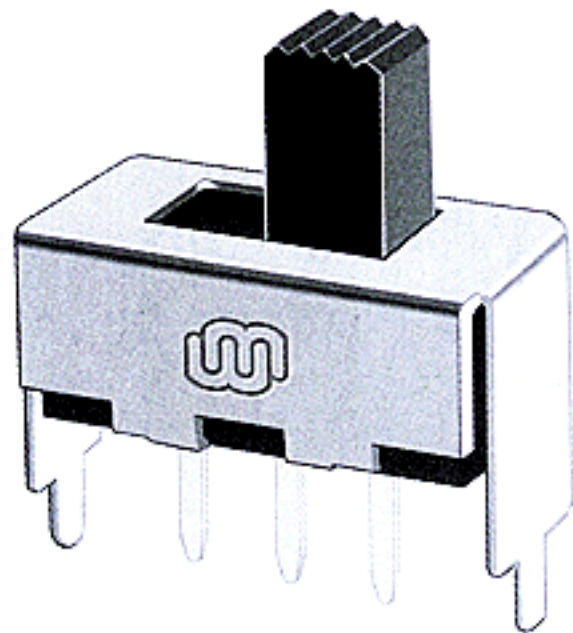
Rating : 0.5A 50V DC

Function: 1P2T



Optional knob type

GBG	VAA	GBX	ATB	NYB	





# SS-12F44

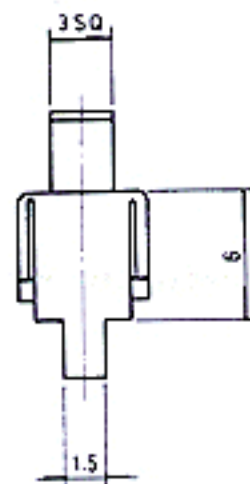
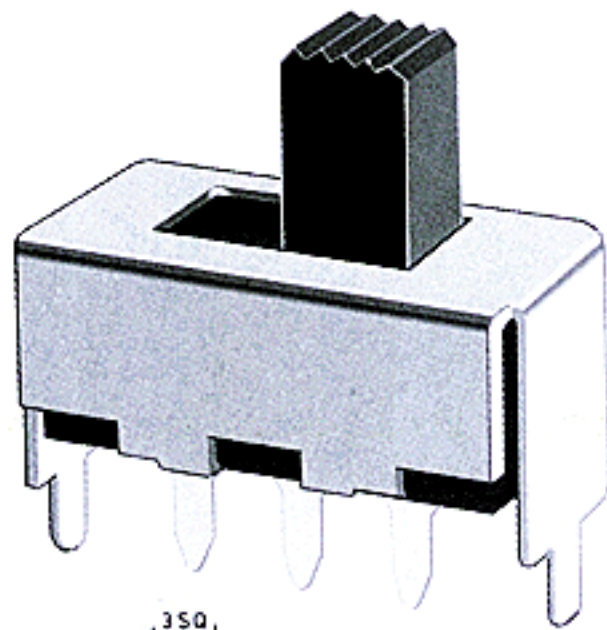
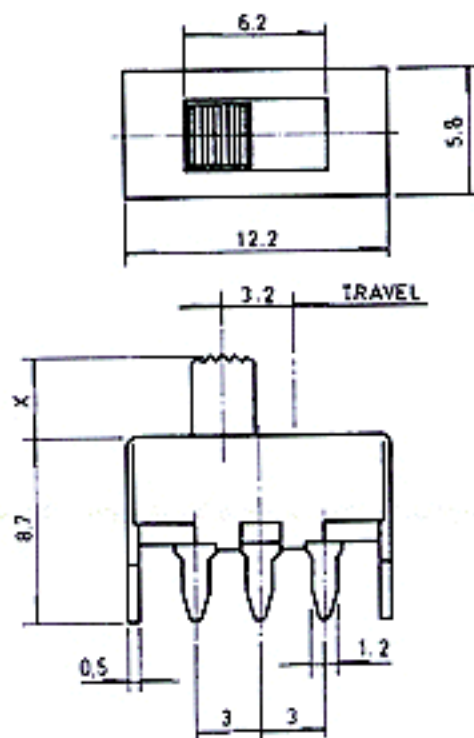
Rating : 0.5A 50V DC

Function: 1P2T



Optional knob type

GBG	VAA	GBX	ATB	NYB	



# SS-12F43

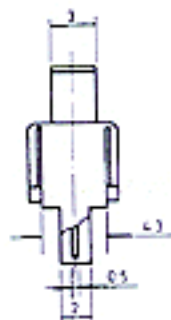
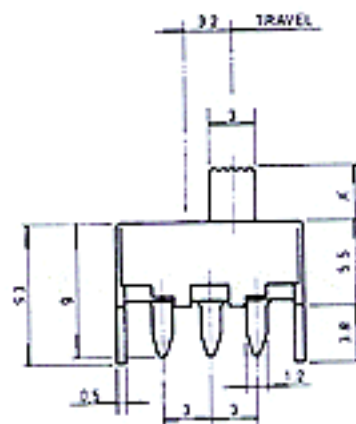
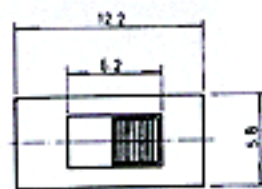
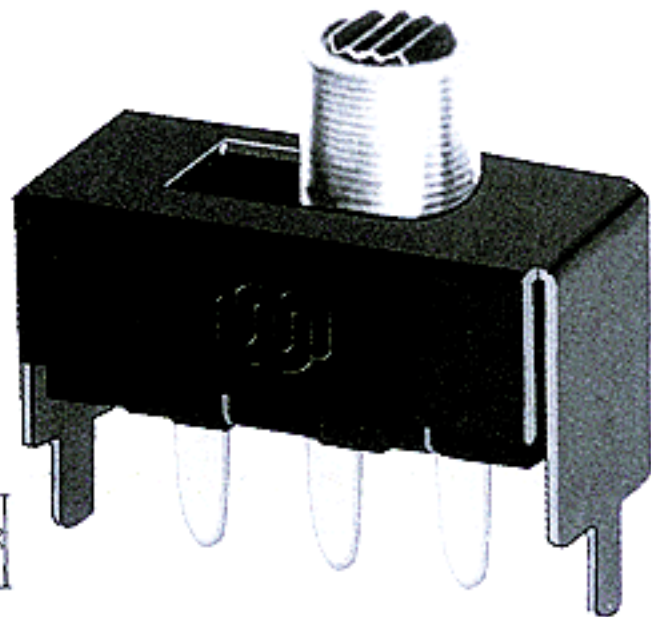
Rating : 0.5A 50V DC

Function: 1P2T



Optional knob type

GBG	VAA	GBX	ATB	NYB	



# SS-12F42

Rating : 0.5A 50V DC

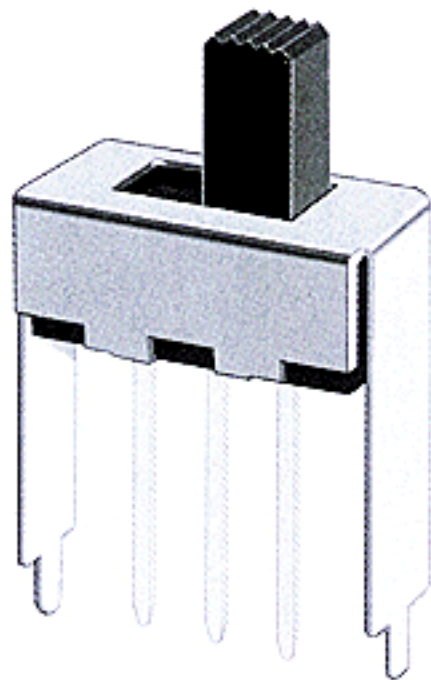
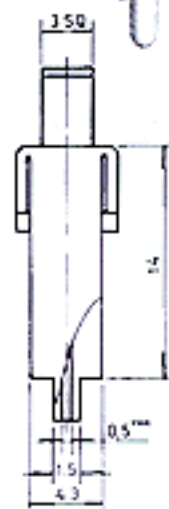
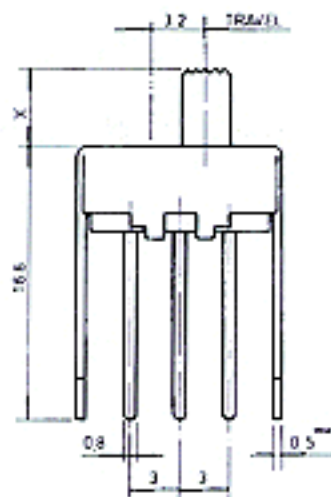
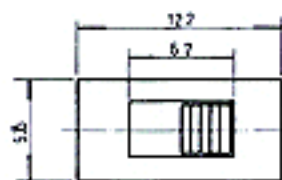
Function: 1P2T

N

Optional knob type



GBG	VAA	GBX	ATB	NYB	



# SS-12F48

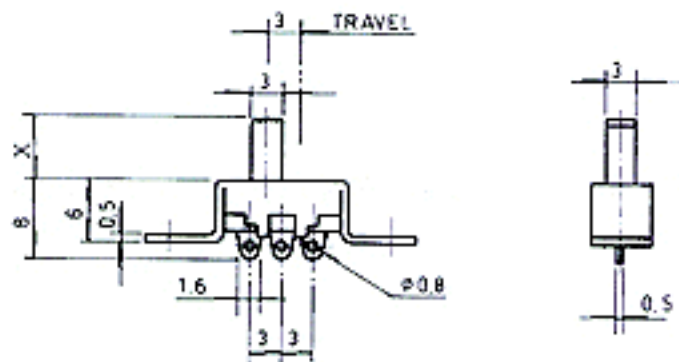
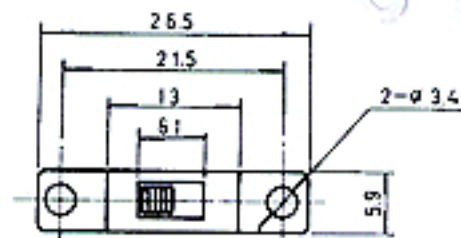
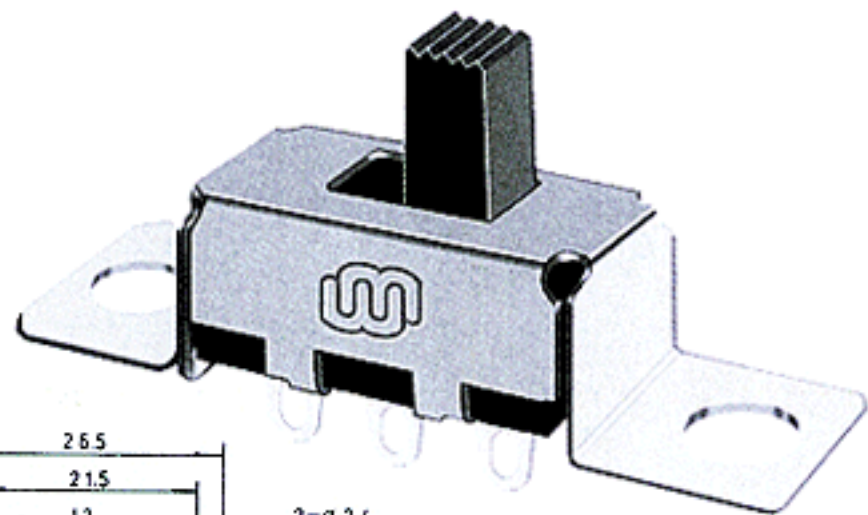
Rating : 0.5A 50V DC

Function: 1P2T



Optional knob type

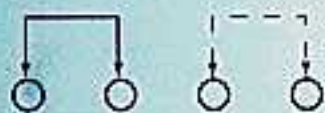
GBG	VAA	GBX	ATB	NYB	



# SS-12L07

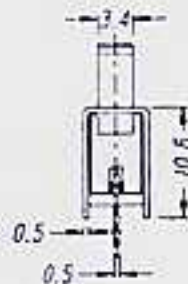
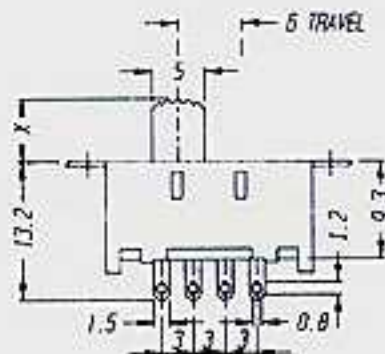
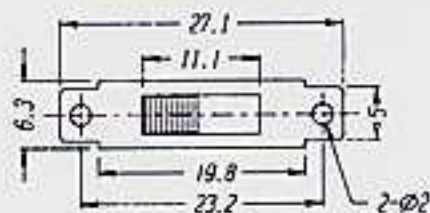
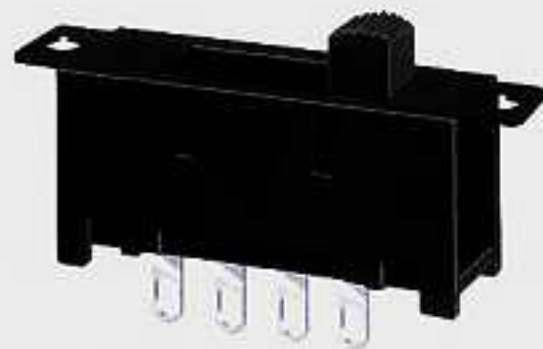
Rating : 0.3A 50V DC

Function: 1P2T



Optional knob type

GDU					

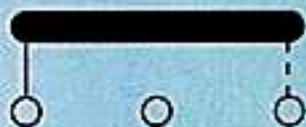


# SS-12L04

Rating : 0.5A 50V DC

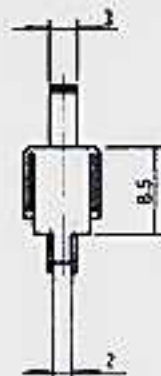
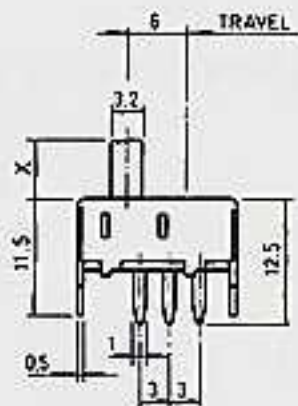
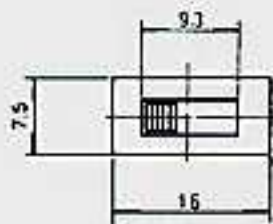
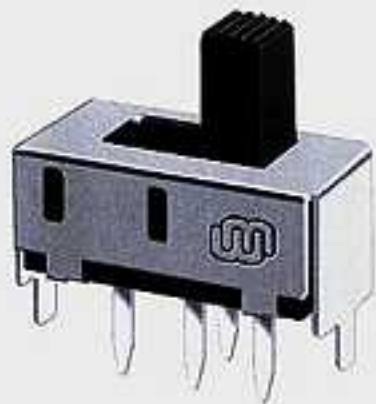
Function: 1P2T

N



Optional knob type

GBE					



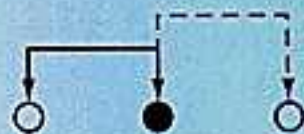
# SS-12I06

Rating : 1.5A 250V AC

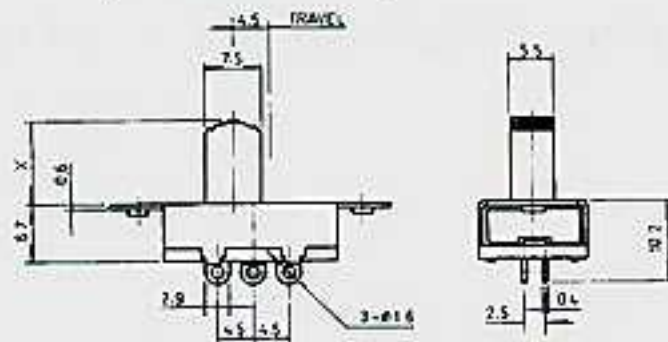
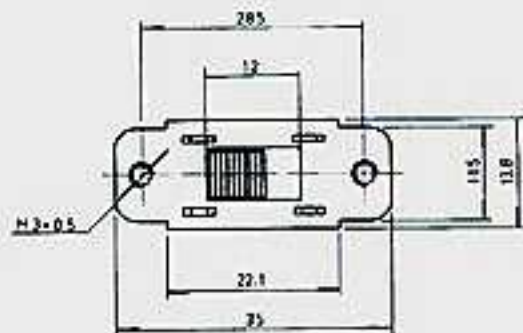
Function: 1P2T



Optional knob type



GDF					



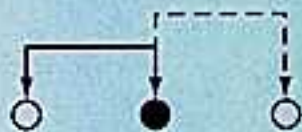
# SS-12I05

Rating : 1.5A 250V AC

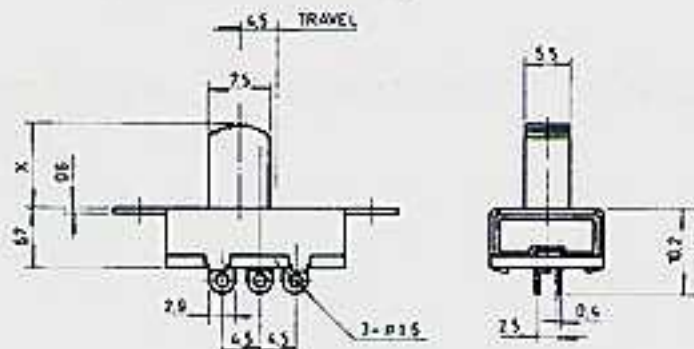
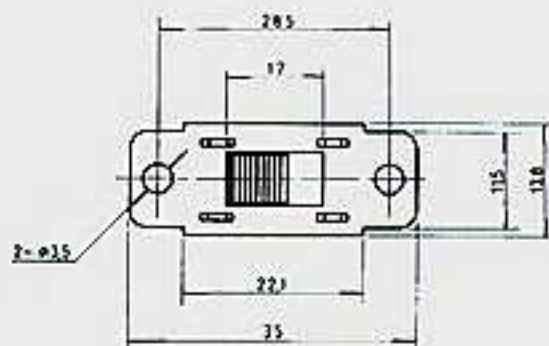
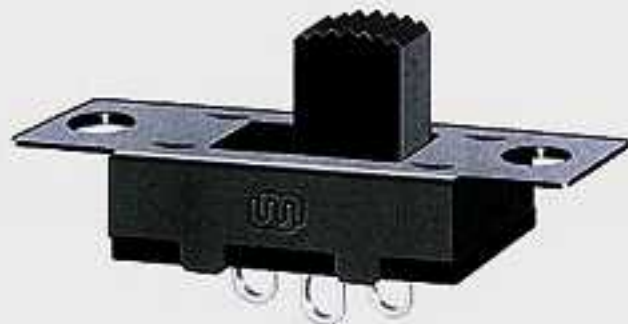
Function: 1P2T



Optional knob type



GDF					





# SS-12I04

Rating : 1.5A 250V AC

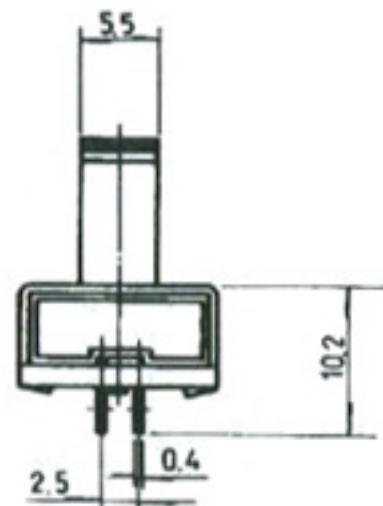
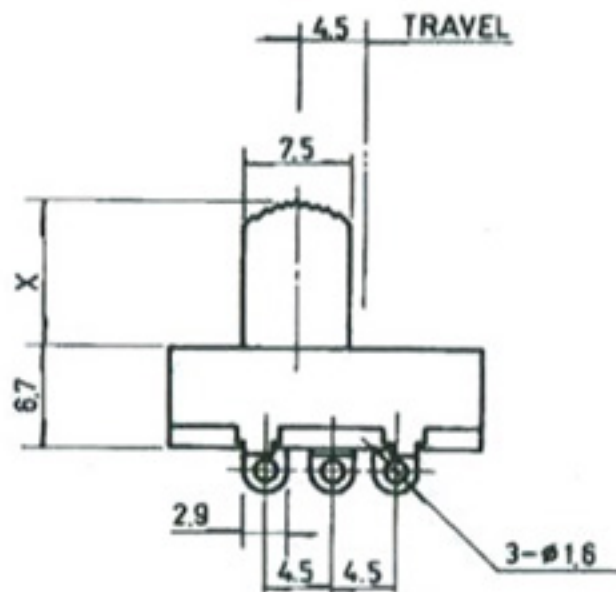
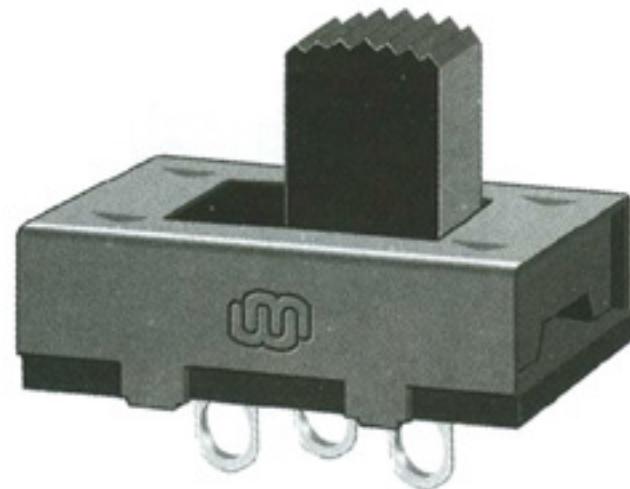
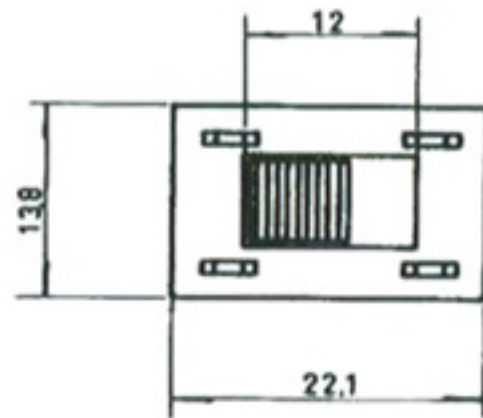
Function: 1P2T

N

Optional knob type



GDF					



# SS-12I01

Rating : 1.5A 250V AC

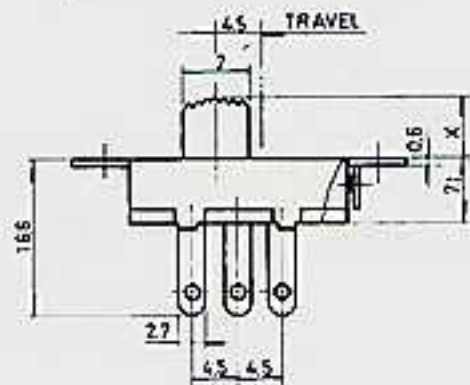
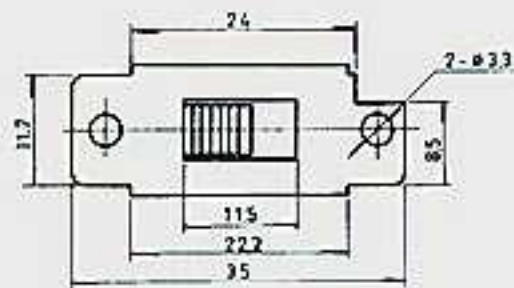
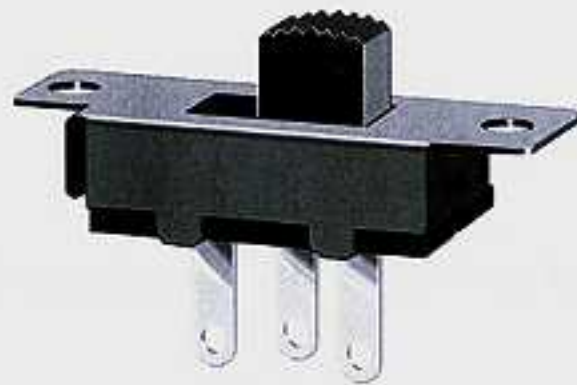
Function: 1P2T



Optional knob type



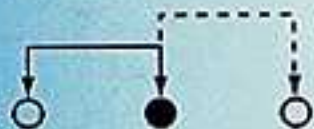
GBF					



# SS-12H11

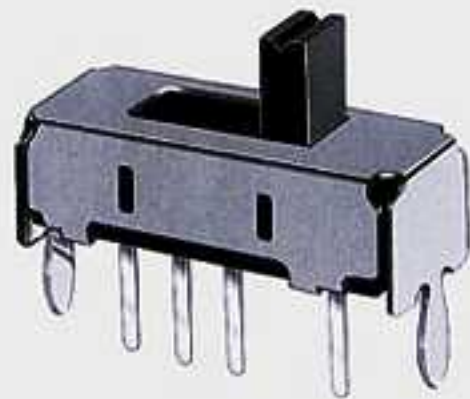
Rating : 0.3A 50V DC

Function: 1P2T

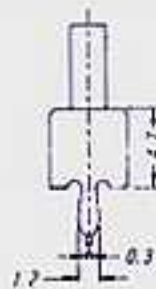
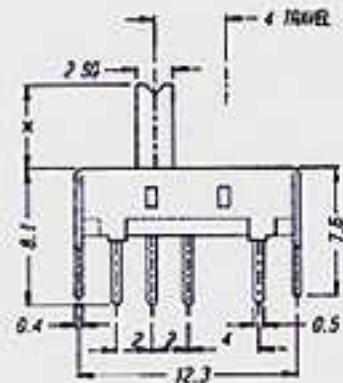


Optional knob type

GEE	VAC				

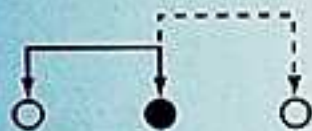


P.C.B LAYOUT



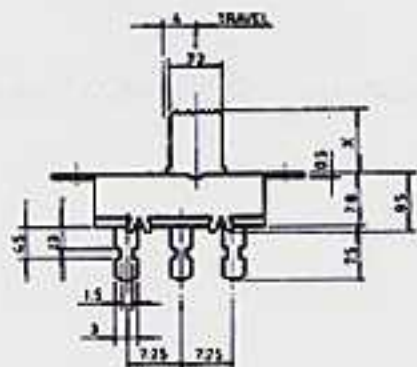
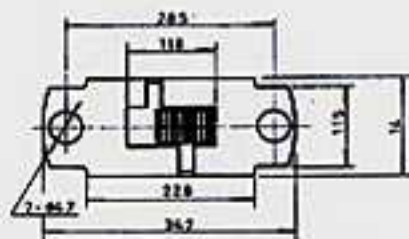
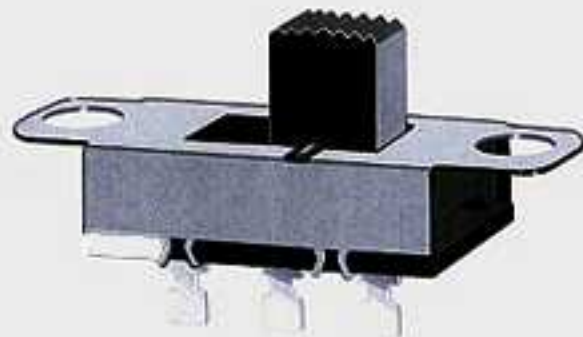
# SS-12H08

Rating : 3A 250V AC  
Function: 1P2T



Optional knob type

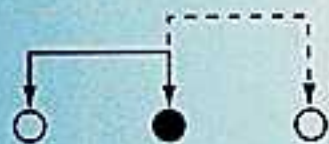
GTB	TAV	TAW	VBB	VBD	VBC
GBU	GBT	GDC	FMA		



# SS-12G18

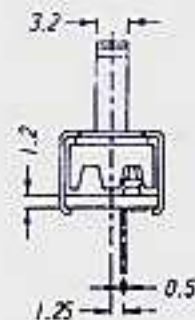
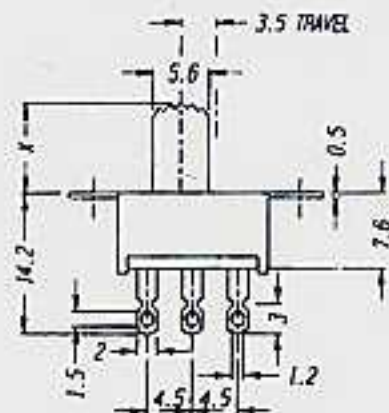
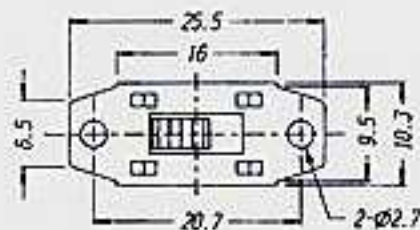
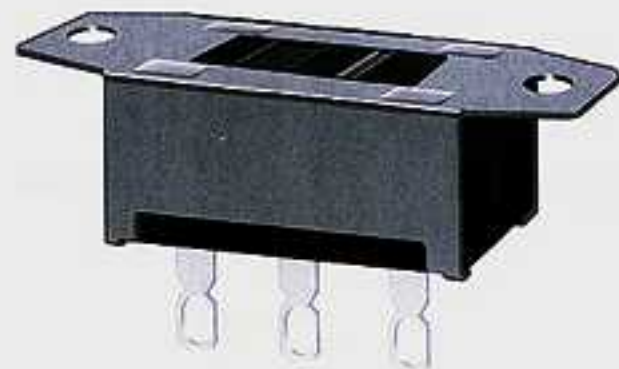
Rating : 1A 125V AC

Function: 1P2T



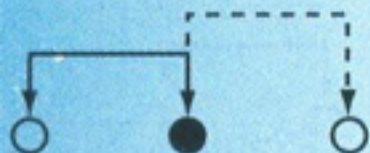
Optional knob type

VGB	GDP				



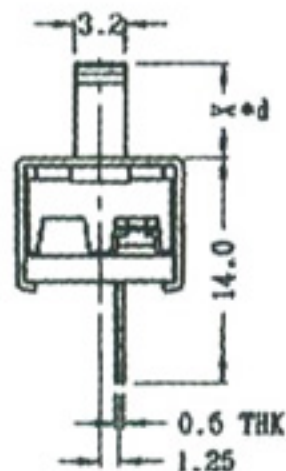
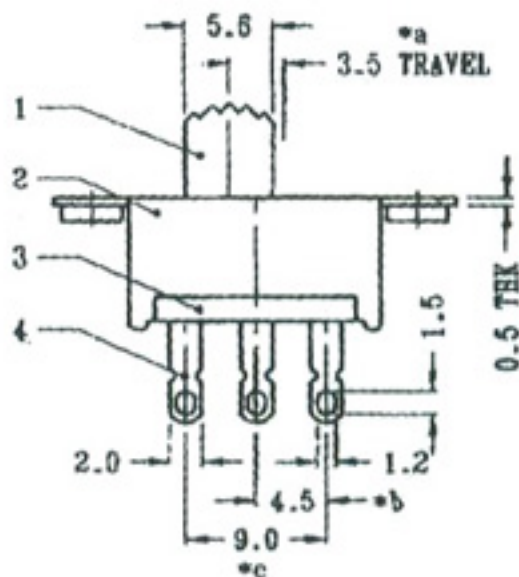
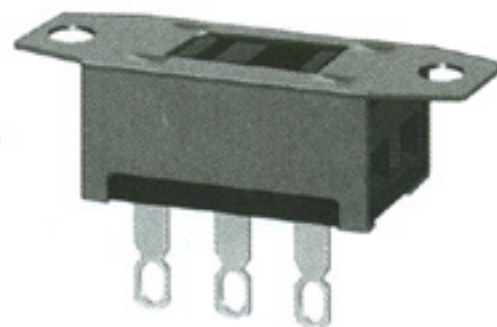
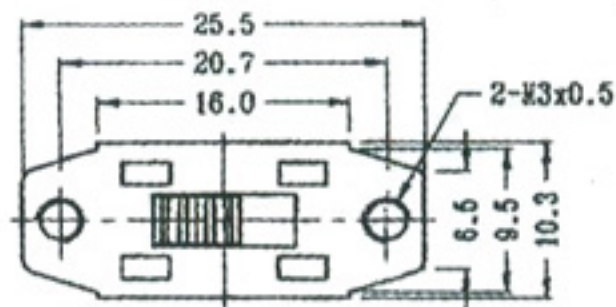
# SS-12G10

Rating : 1A 125V AC  
Function: 1P2T



Optional knob type

VGB	GDP				



# SS-12G08

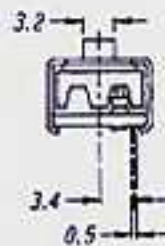
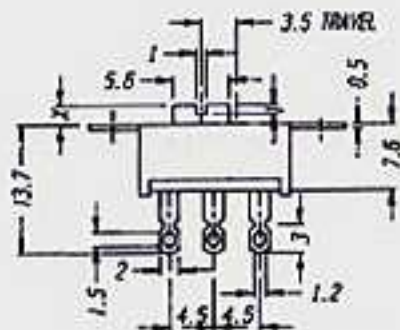
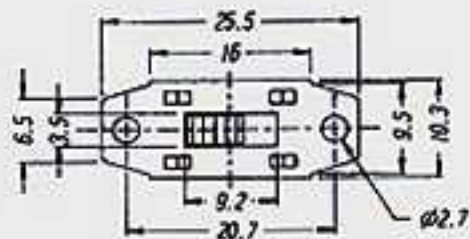
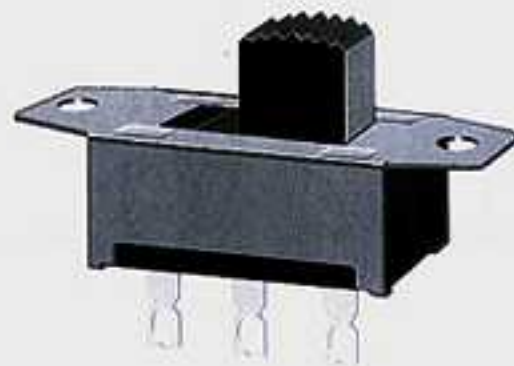
Rating : 1A 125V AC

Function: 1P2T



Optional knob type

VGB	GDP				



# SS-12F147

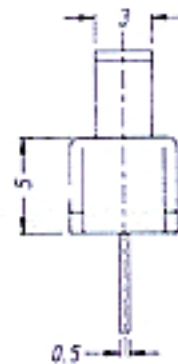
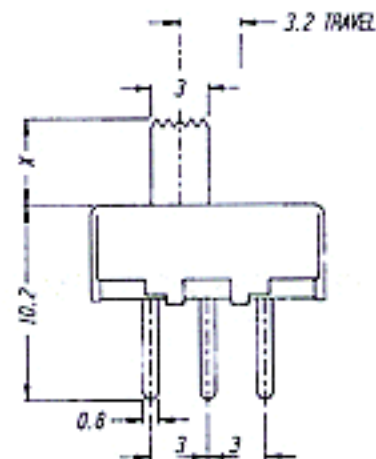
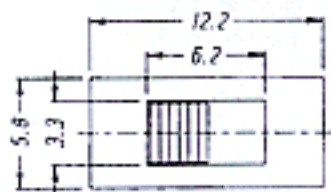
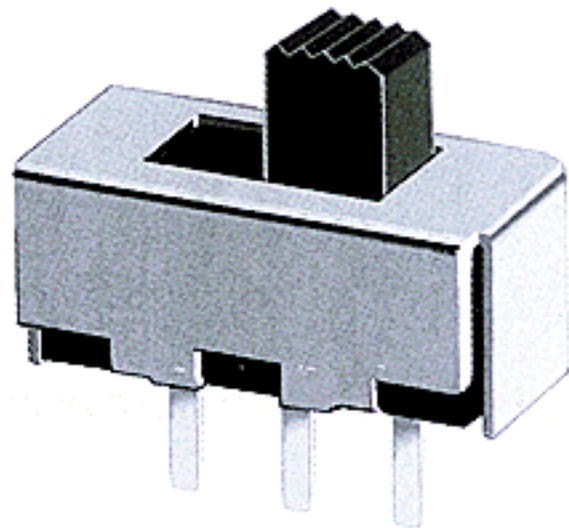
Rating : 0.5A 50V DC

Function: 1P2T



Optional knob type

GBG	VAA	GBX	ATB	NYB	





# SS-12F120

Rating : 0.5A 50V DC

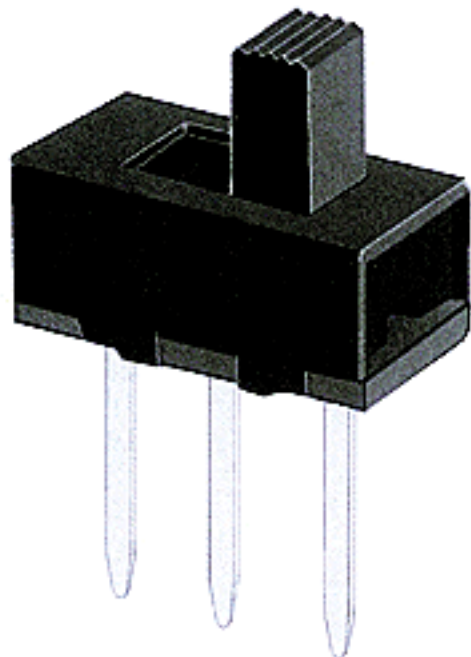
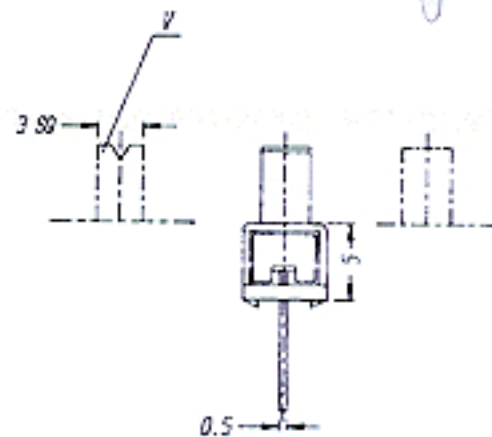
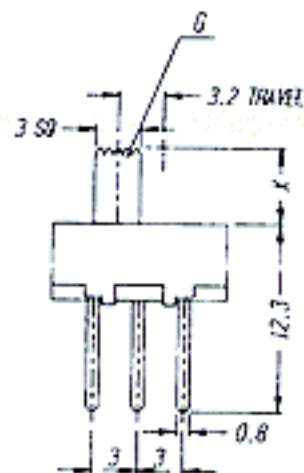
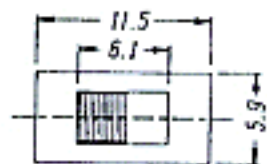
Function: 1P2T



Optional knob type



GBG	VAA	GBX			



# SS-12F117

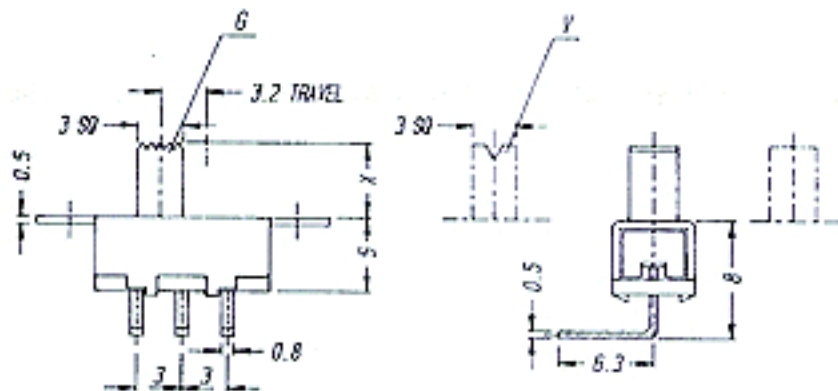
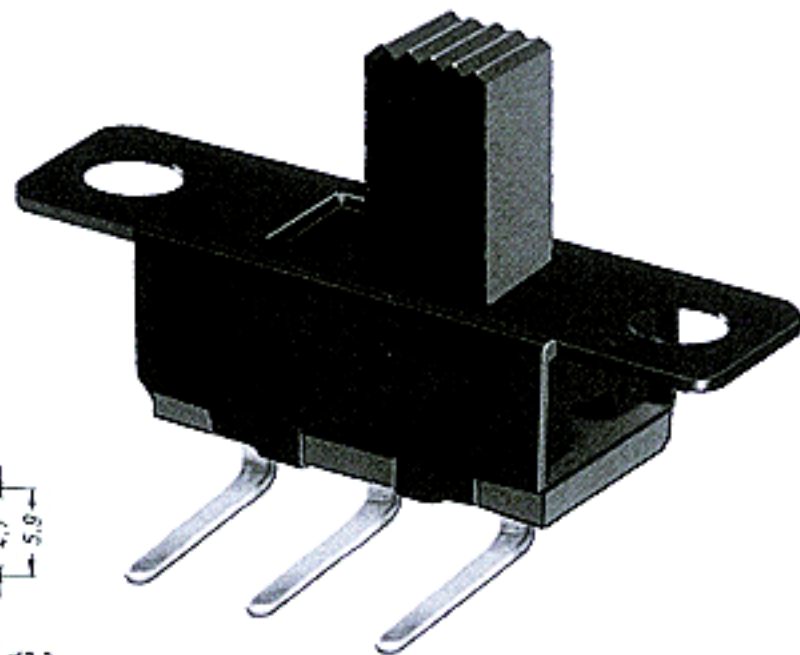
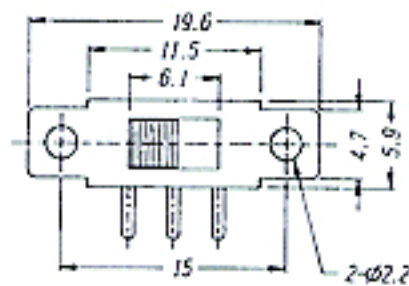
Rating : 0.5A 50V DC

Function: 1P2T



Optional knob type

GBG	VAA	GBX			



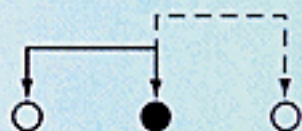
# SS-12F113

Rating : 0.5A 50V DC

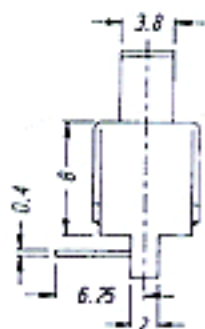
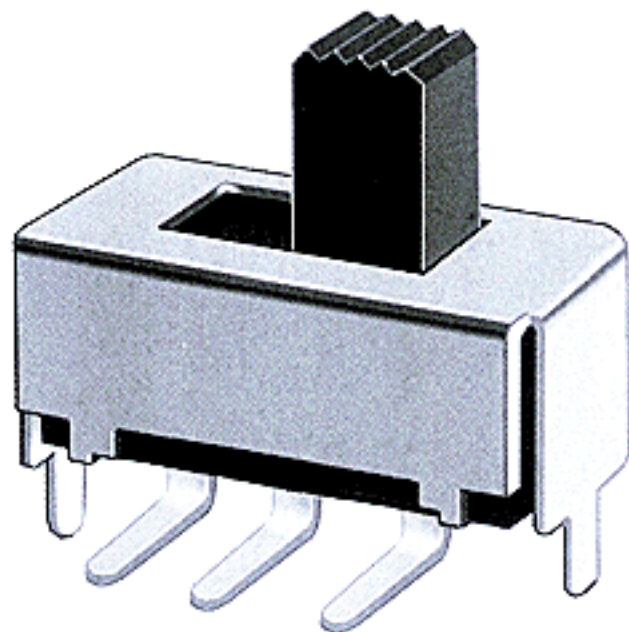
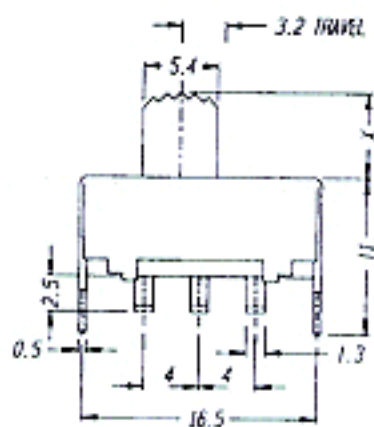
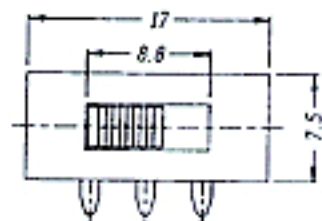
Function: 1P2T



Optional knob type



GAA	GAB	GAC	GAD	GAE	GBR
GDB	TAN	ATA	NTA	MXD	



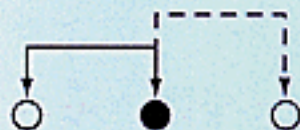
# SS-12F110

Rating : 0.5A 50V DC

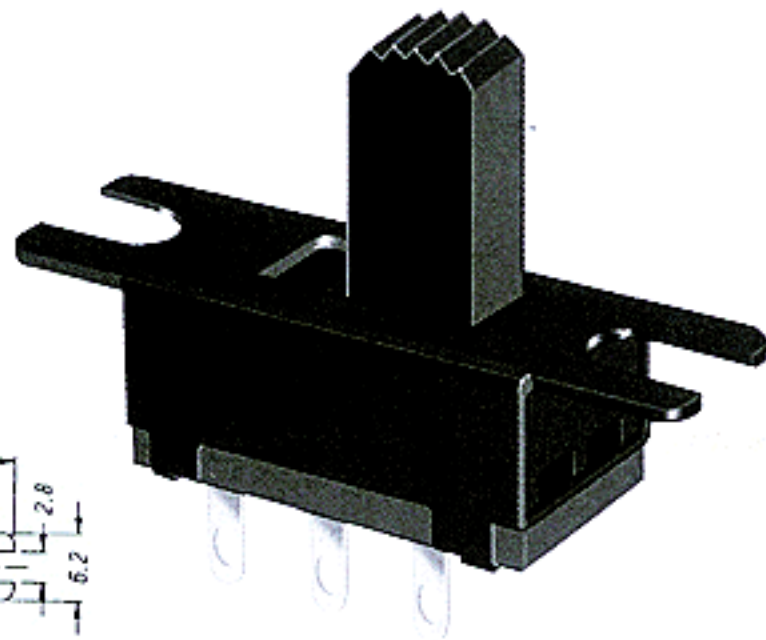
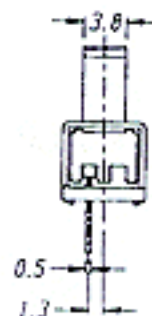
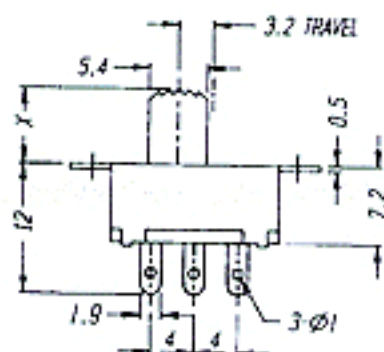
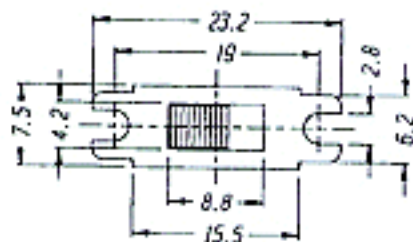
Function: 1P2T



Optional knob type



GAA	GAB	GAC	GAD	GAE	GBR
GDB	TAN	ATA	NTA	MXD	

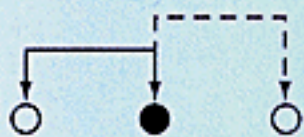


# SS-12F108

Rating : 0.5A 50V DC

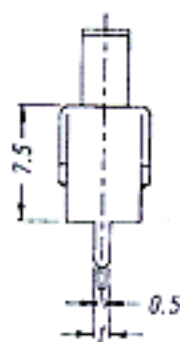
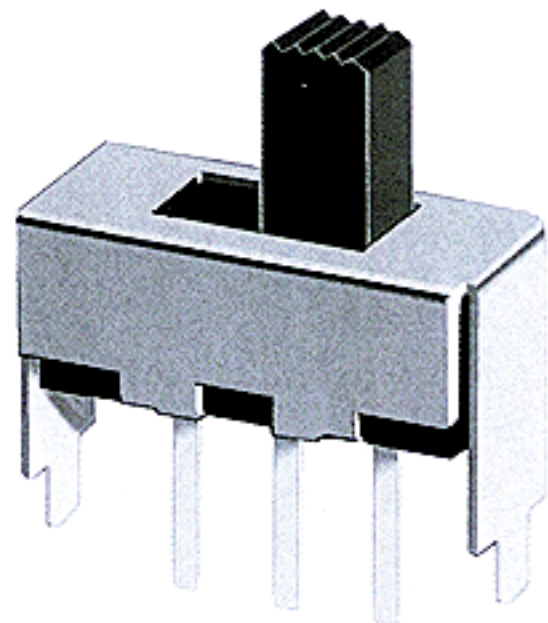
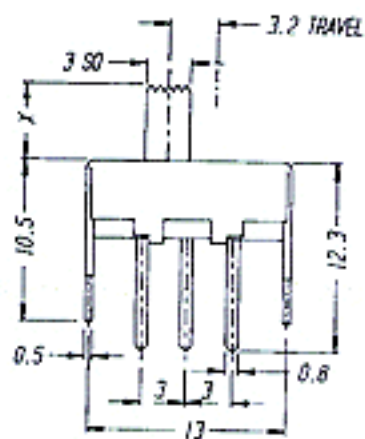
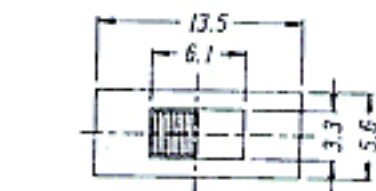
Function: 1P2T

N



Optional knob type

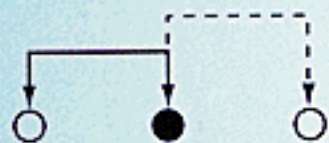
GBG	VAA	GBX	ATB	NYB	



# SS-12F101

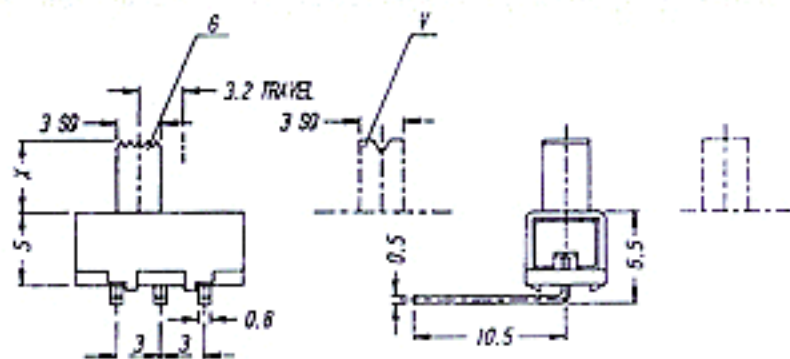
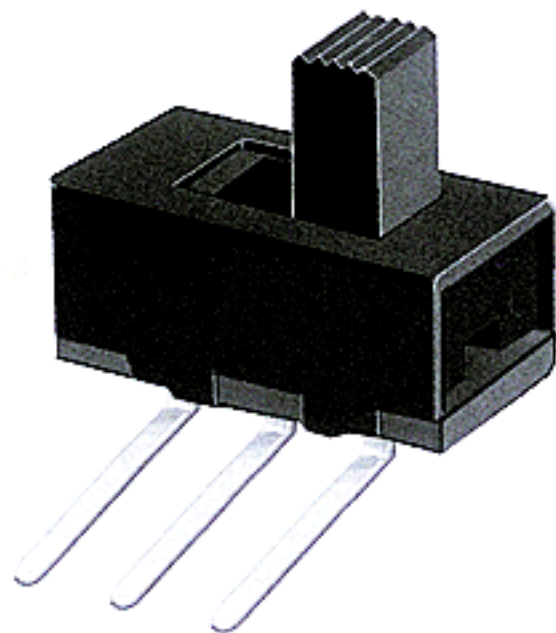
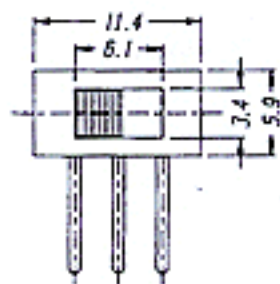
Rating : 0.5A 50V DC

Function: 1P2T



Optional knob type

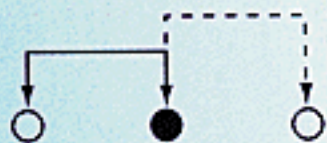
GBG	VAA	GBX			



# SS-12F100

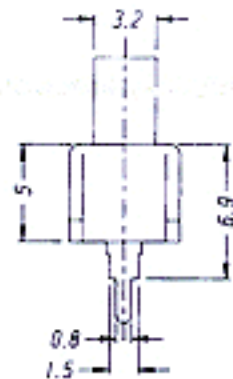
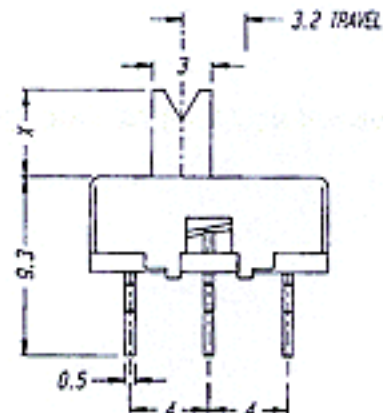
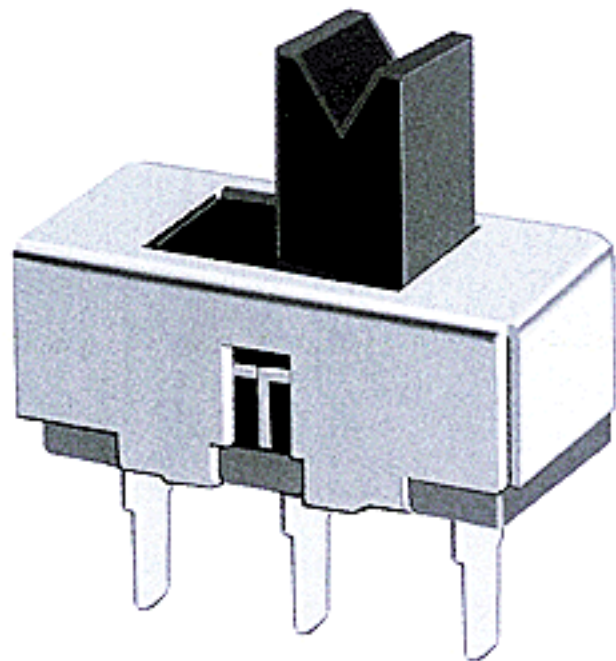
Rating : 0.5A 50V DC

Function: 1P2T



Optional knob type

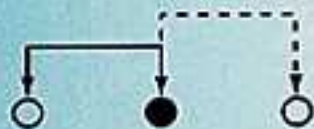
VAE	GBY	ATB	NYB		



# SS-12F97

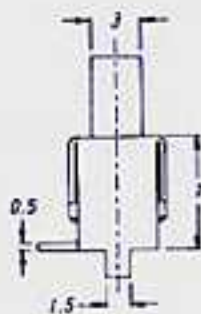
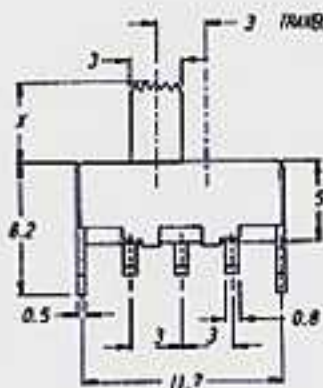
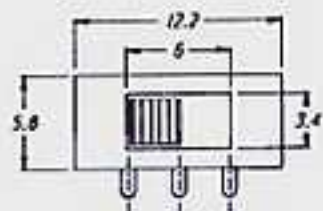
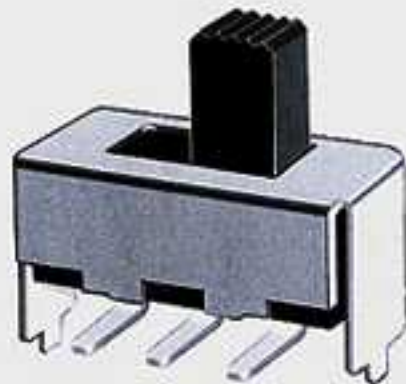
Rating : 0.5A 50V DC

Function: 1P2T



Optional knob type

GBG	VAA	GBX	ATB	NYB	

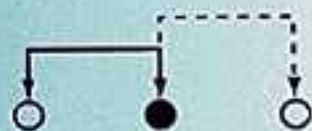
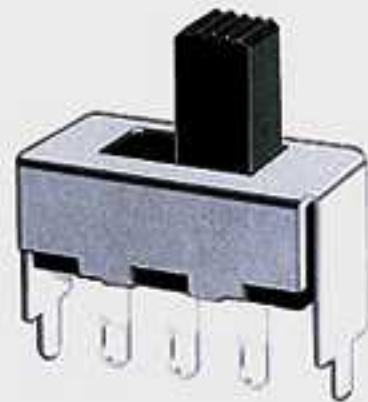




# SS-12F96

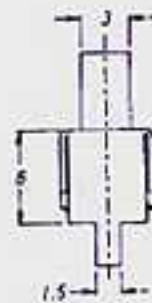
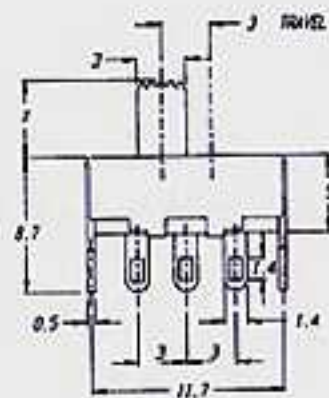
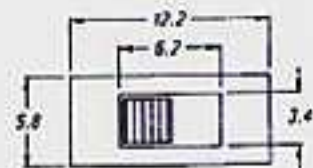
Rating : 0.5A 50V DC

Function: 1P2T



Optional knob type

GBG	VAA	GBX	ATB	NYB	



# SS-12F95

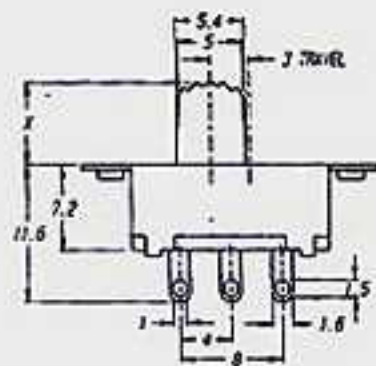
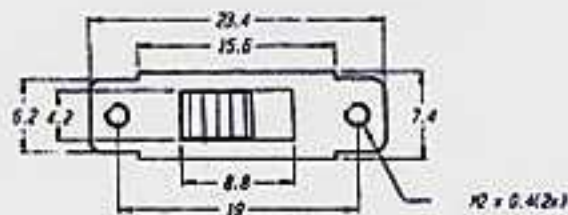
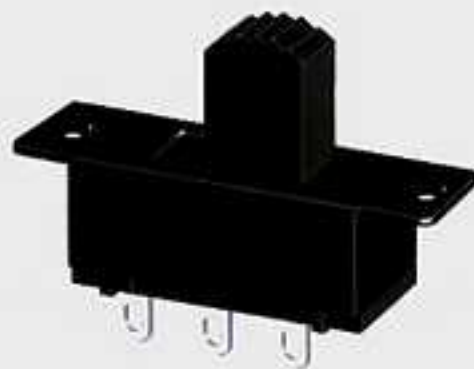
Rating : 0.5A 50V DC

Function: 1P2T



Optional knob type

GAA	GAB	GAC	GAD	GAE	GBR
GDB	TAN	ATA	NTA	MXD	



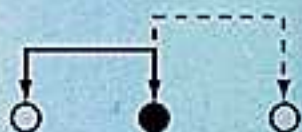
# SS-12F93

Rating : 0.5A 50V DC

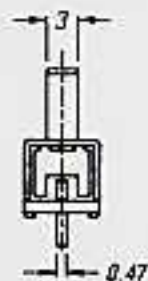
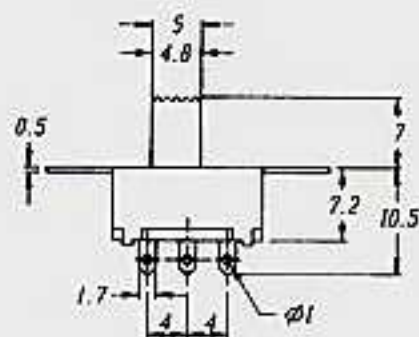
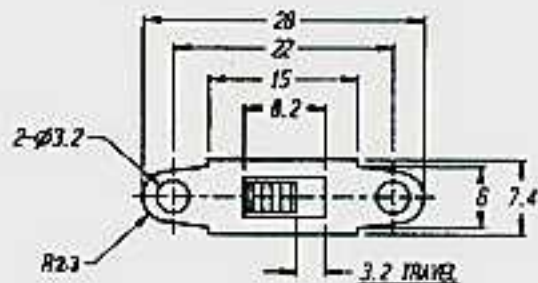
Function: 1P2T



Optional knob type



GAA	GAB	GAC	GAD	GAE	GBR
GDB	TAN	ATA	NTA	MXD	



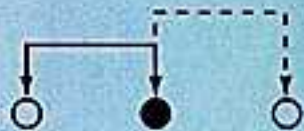
# SS-12F92

Rating : 0.5A 50V DC

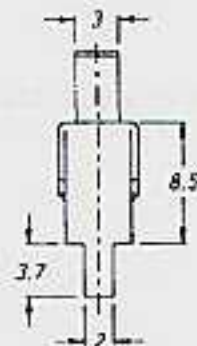
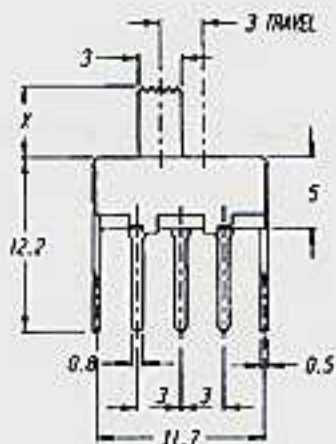
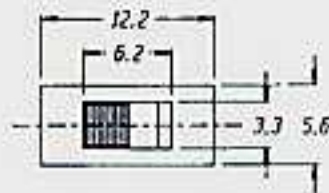
Function: 1P2T



Optional knob type



GBG	VAA	GBX	ATB	NYB	



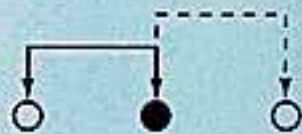
# SS-12F91

Rating : 0.5A 50V DC

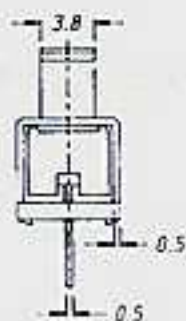
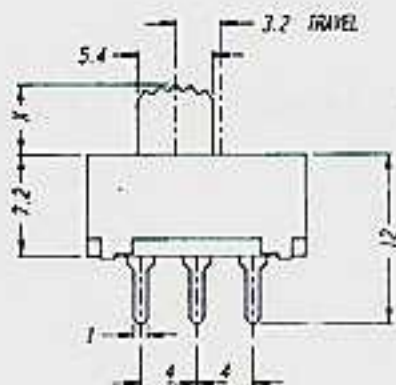
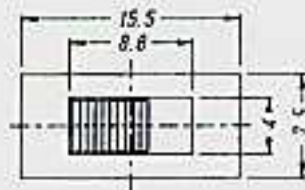
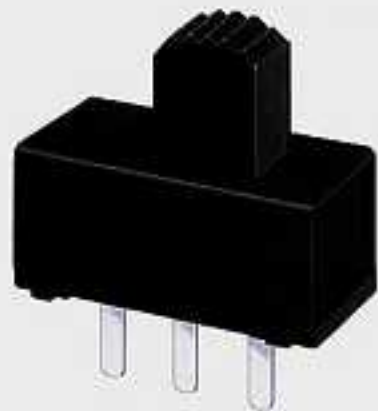
Function: 1P2T



Optional knob type



GAA	GAB	GAC	GAD	GAE	GBR
GDB	TAN	ATA	NTA	MXD	



# SS-12F90

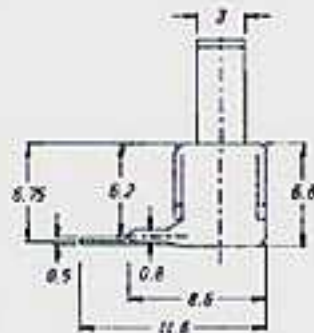
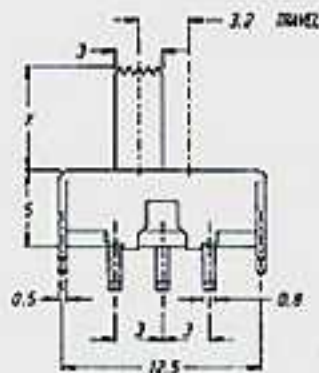
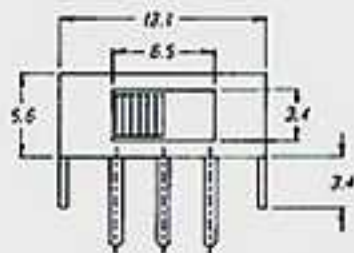
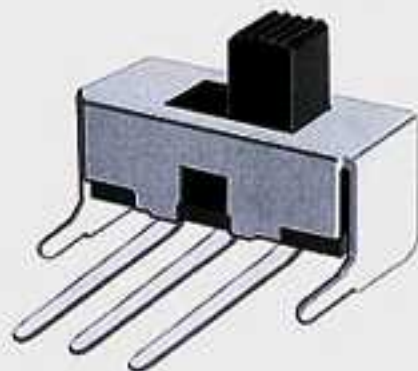
Rating : 0.5A 50V DC

Function: 1P2T



Optional knob type

GBG	VAA	GBX	ATB	NYB	



# SS-12F89

Rating : 0.5A 50V DC

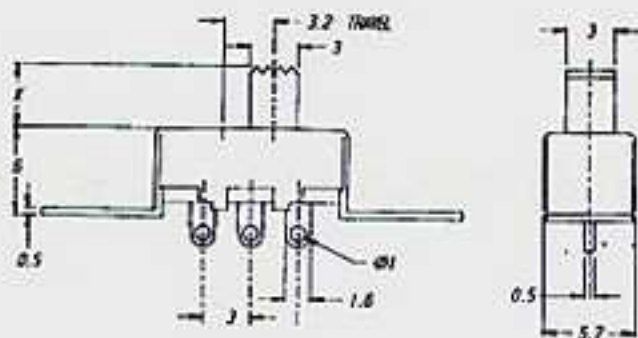
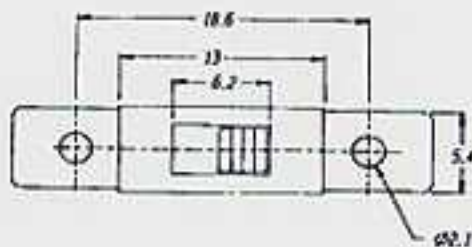
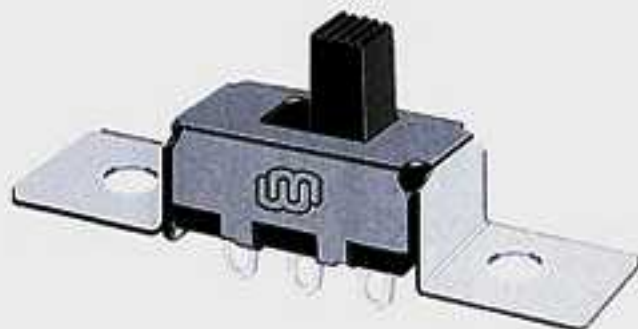
Function: 1P2T



Optional knob type



GBG	VAA	GBX	ATB	NYB	



# SS-12F86

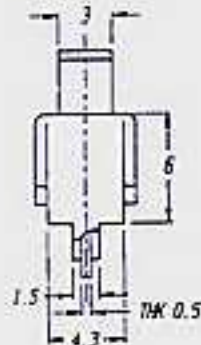
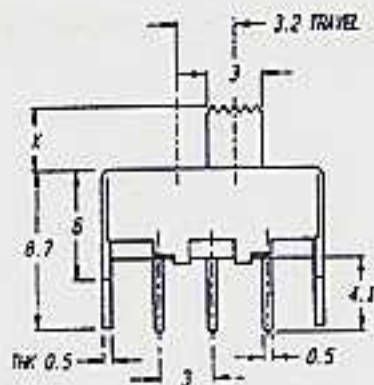
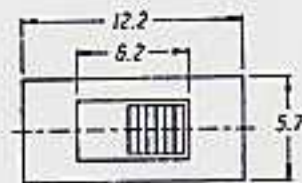
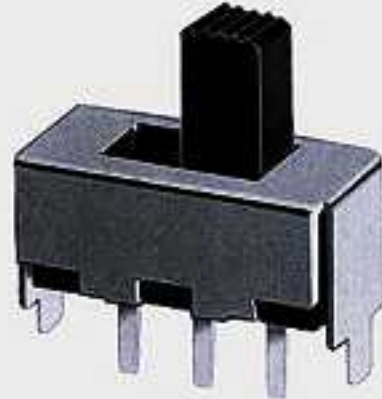
Rating : 0.5A 50V DC

Function: 1P2T



Optional knob type

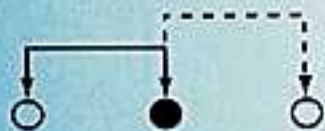
GBG	VAA	GBX	ATB	NYB	





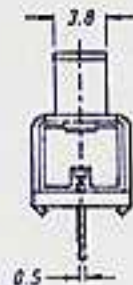
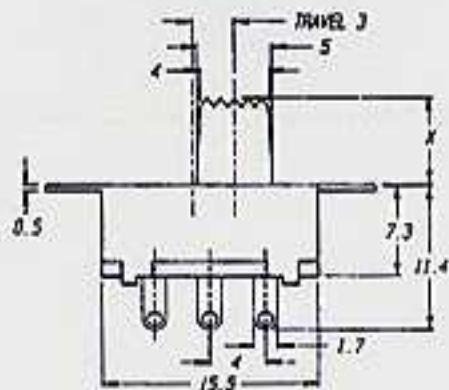
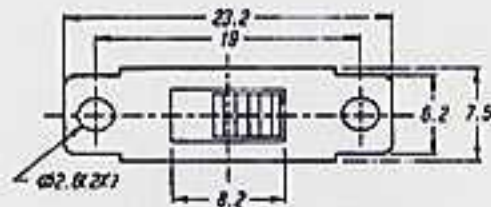
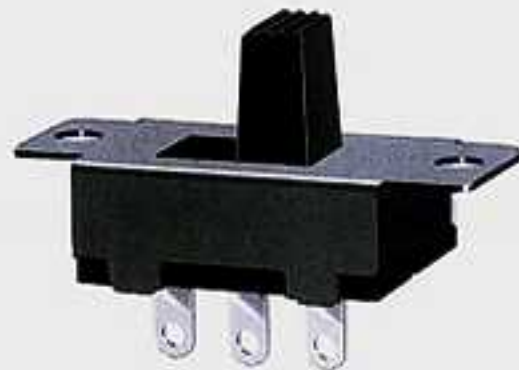
# SS-12F85

Rating : 0.5A 50V DC  
Function: 1P2T



Optional knob type

GAA	GAB	GAC	GAD	GAE	GBR
GDB	TAN	ATA	NTA	MXD	



# SS-12F82

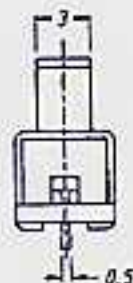
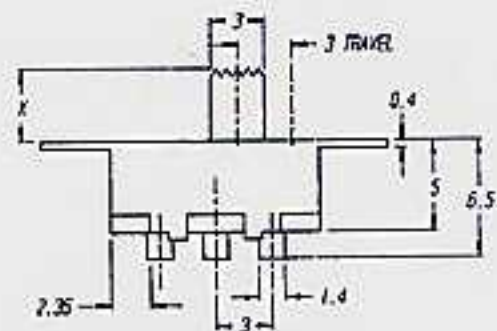
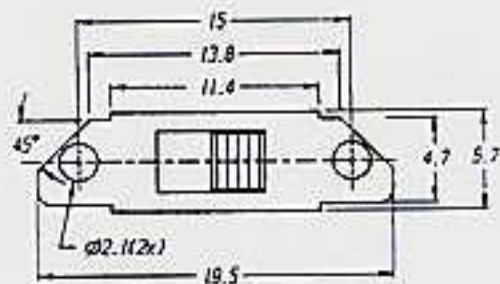
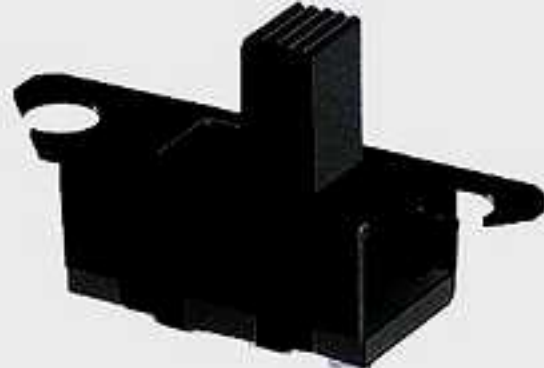
Rating : 0.5A 50V DC

Function: 1P2T



Optional knob type

GBG	VAA	GBX			



# SS-12F81

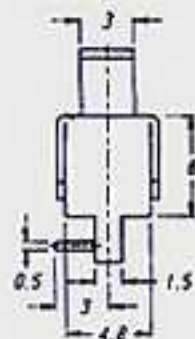
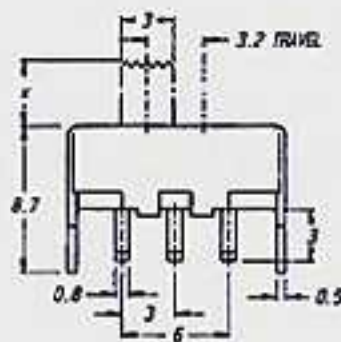
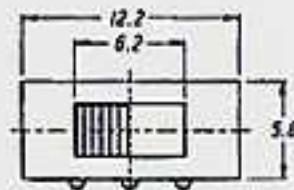
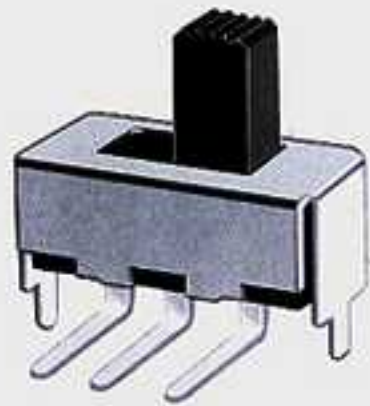
Rating : 0.5A 50V DC

Function: 1P2T



Optional knob type

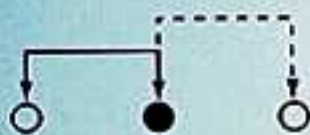
GBG	VAA	GBX	ATB	NYB	



# SS-12F78

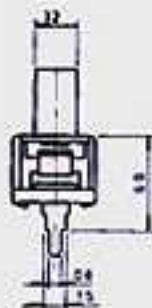
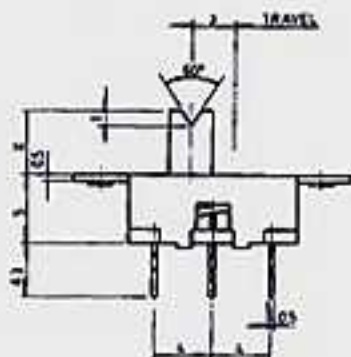
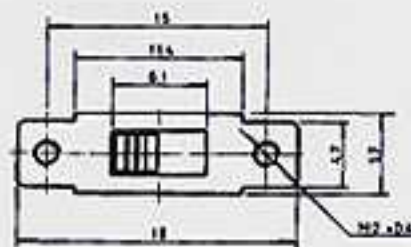
Rating : 0.5A 50V DC

Function: 1P2T



Optional knob type

GBY	VAE				



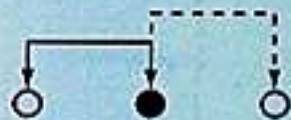
# SS-12F77

Rating : 0.5A 50V DC

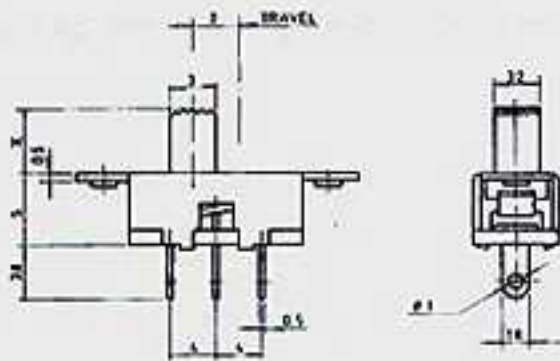
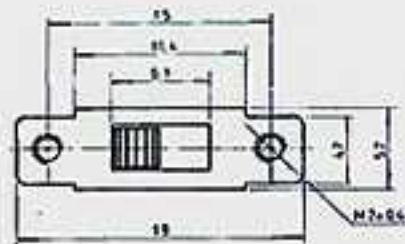
Function: 1P2T



Optional knob type



GBY	VAE				



# SS-12F76

Rating : 0.5A 50V DC

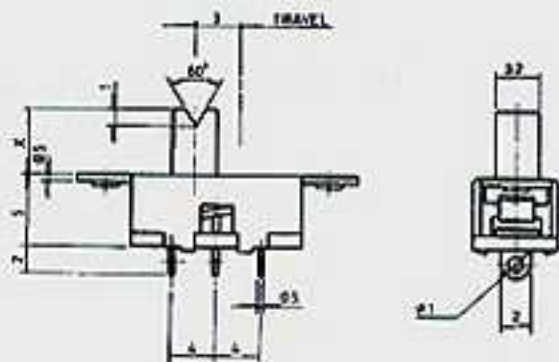
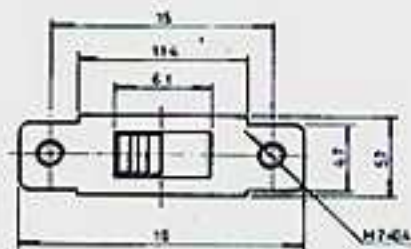
Function: 1P2T



Optional knob type



GBY	VAE				



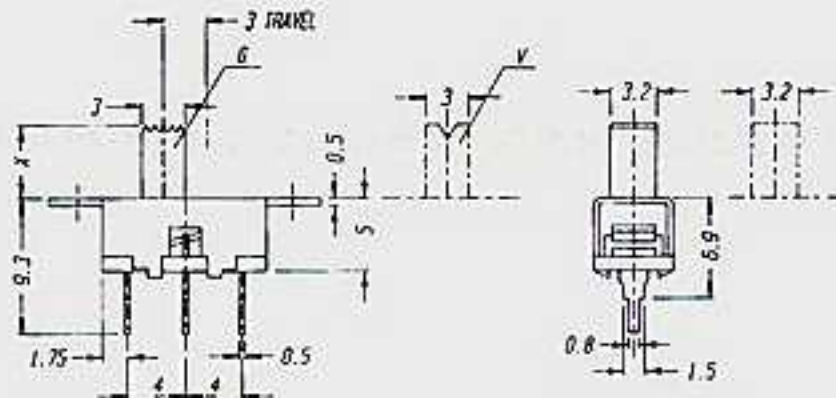
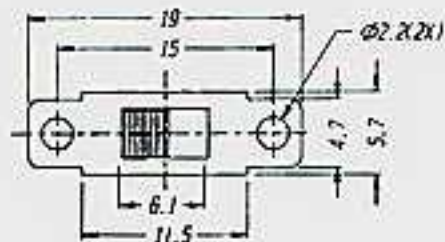
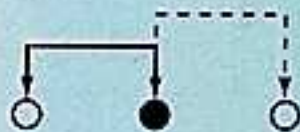
# SS-12F75

Rating : 0.5A 50V DC

Function: 1P2T



Optional knob type



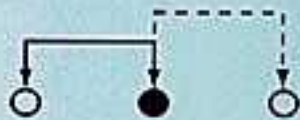
GBY	VAE				

# SS-12F73

Rating : 0.5A 50V DC

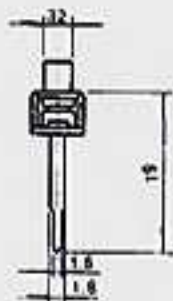
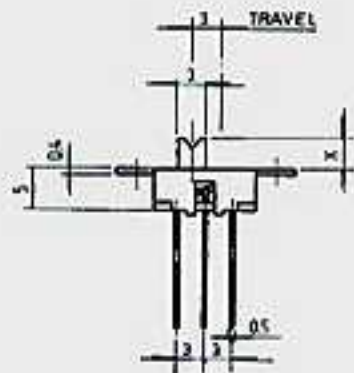
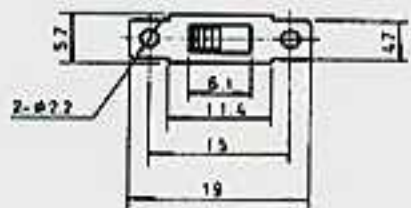
Function: 1P2T

N



Optional knob type

GBY	VAE				





# SS-12F72

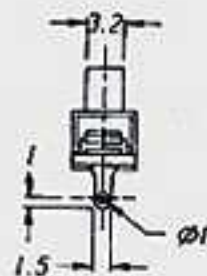
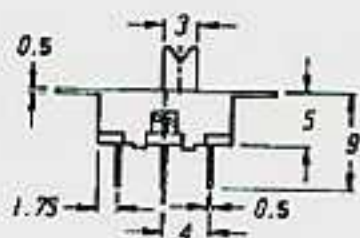
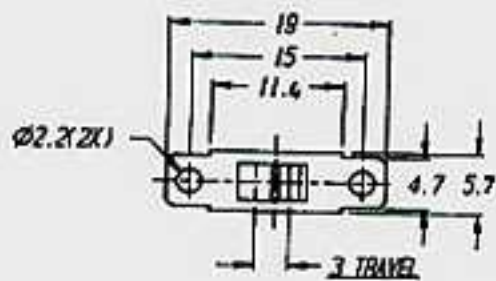
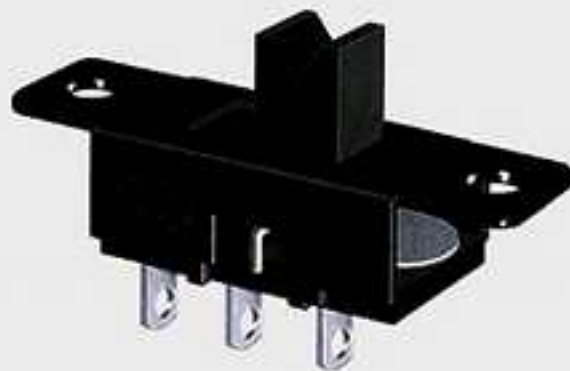
Rating : 0.5A 50V DC

Function: 1P2T



Optional knob type

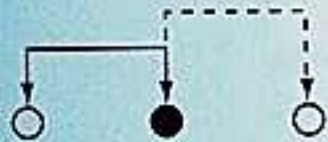
GBY	VAE				



# SS-12F71

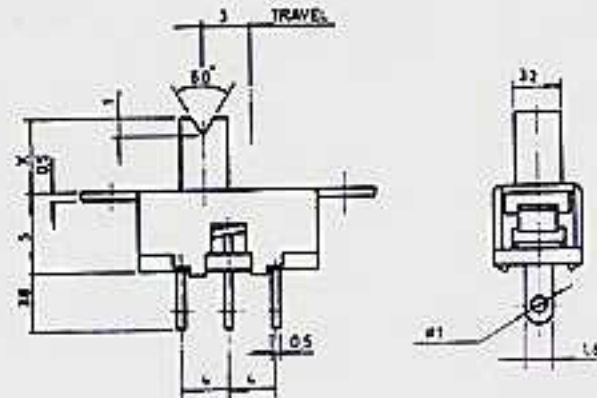
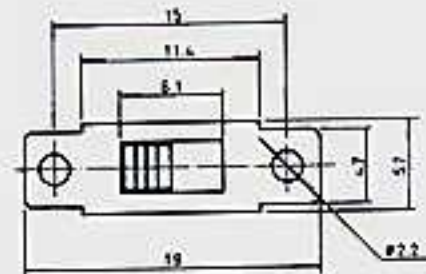
Rating : 0.5A 50V DC

Function: 1P2T



Optional knob type

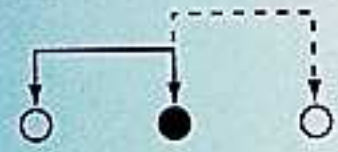
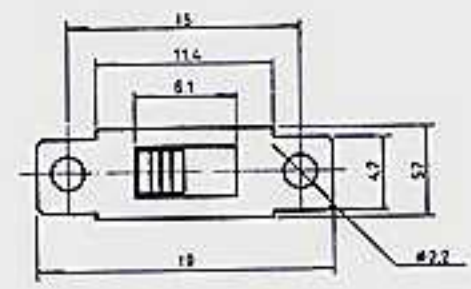
GBY	VAE				




# SS-12F70

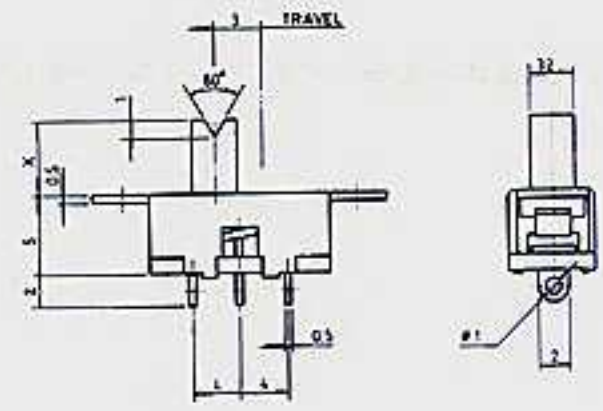
Rating : 0.5A 50V DC

Function: 1P2T



 Optional knob type

GBY	VAE				



# SS-12F68

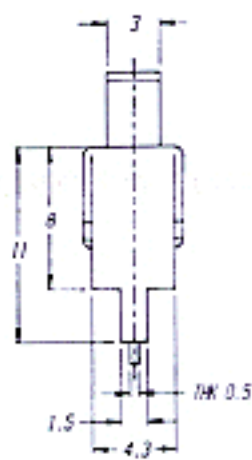
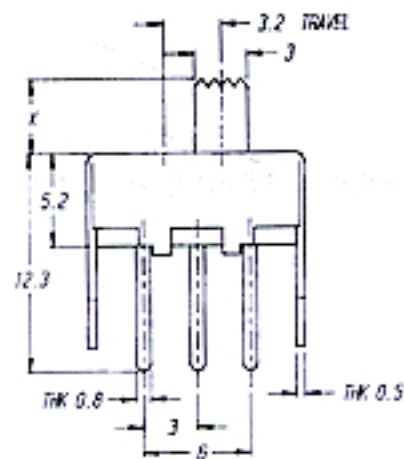
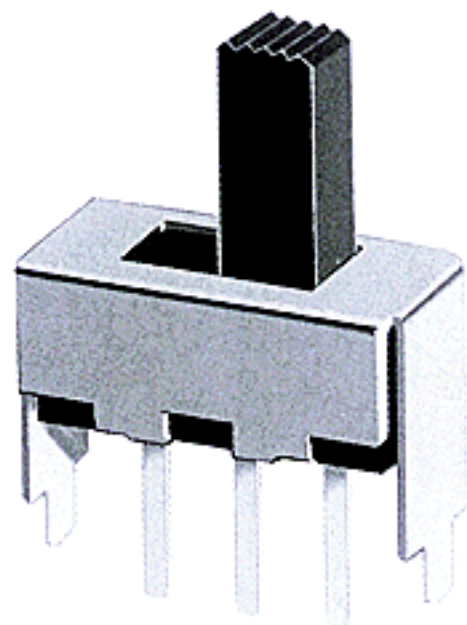
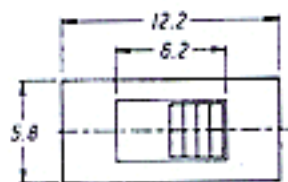
Rating : 0.5A 50V DC

Function: 1P2T



Optional knob type

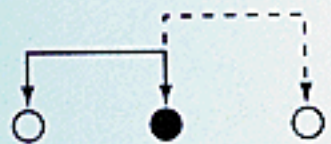
GBG	VAA	GBX	ATB	NYB	



# SS-12F66

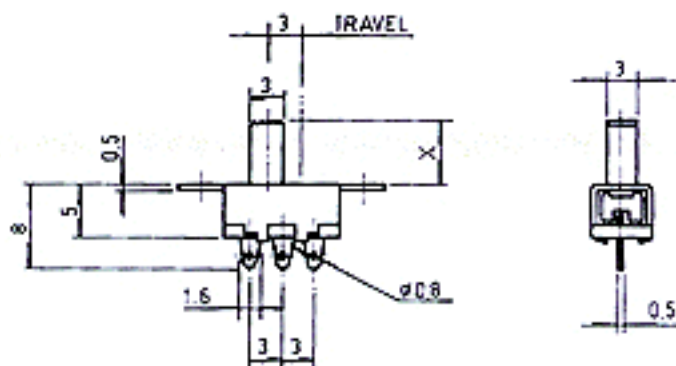
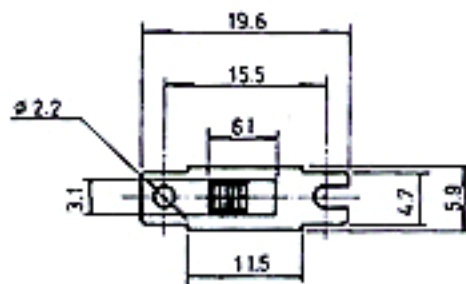
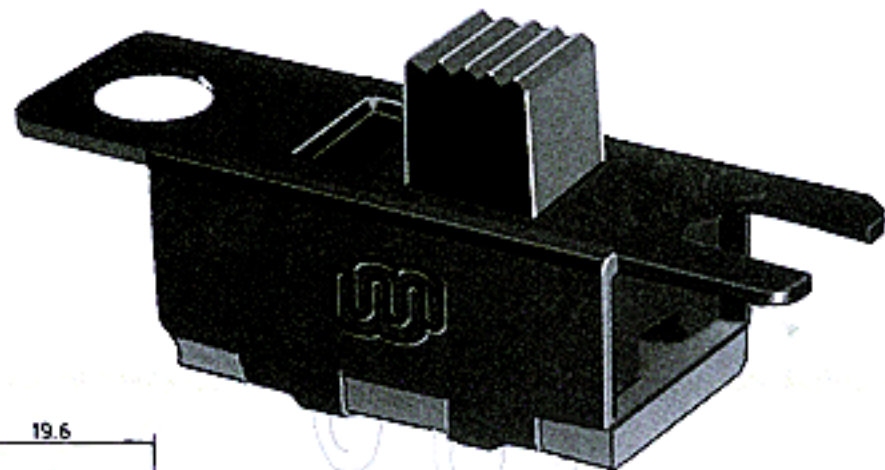
Rating : 0.5A 50V DC

Function: 1P2T



Optional knob type

GBG	VAA	GBX			



# SS-12F65

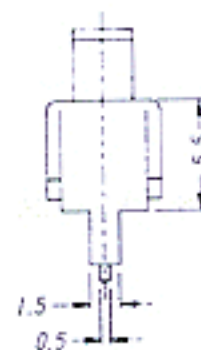
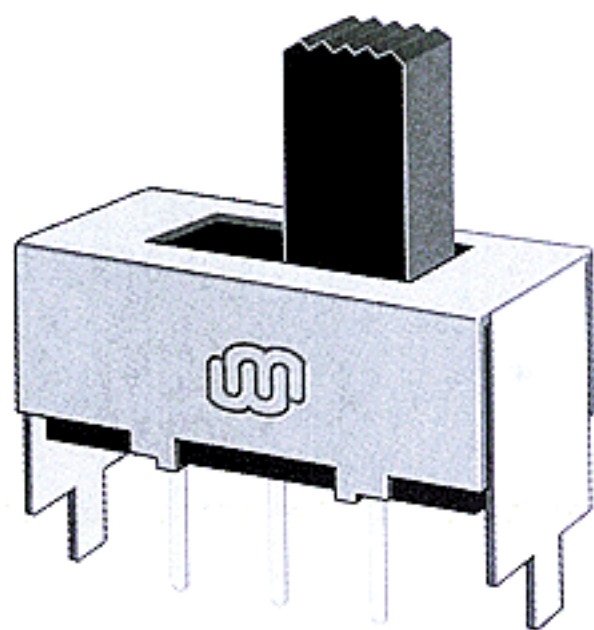
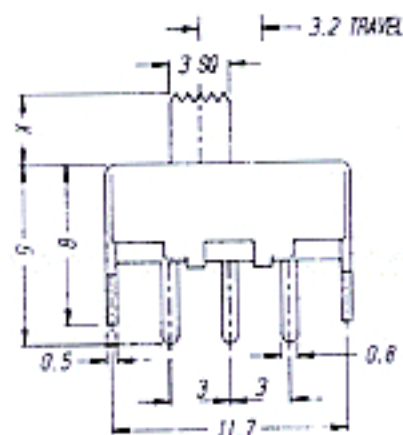
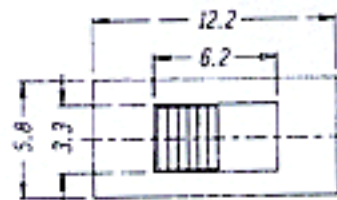
Rating : 0.5A 50V DC

Function: 1P2T



Optional knob type

GBG	VAA	GBX	ATB	NYB	



# SS-12F63

Rating : 0.5A 50V DC

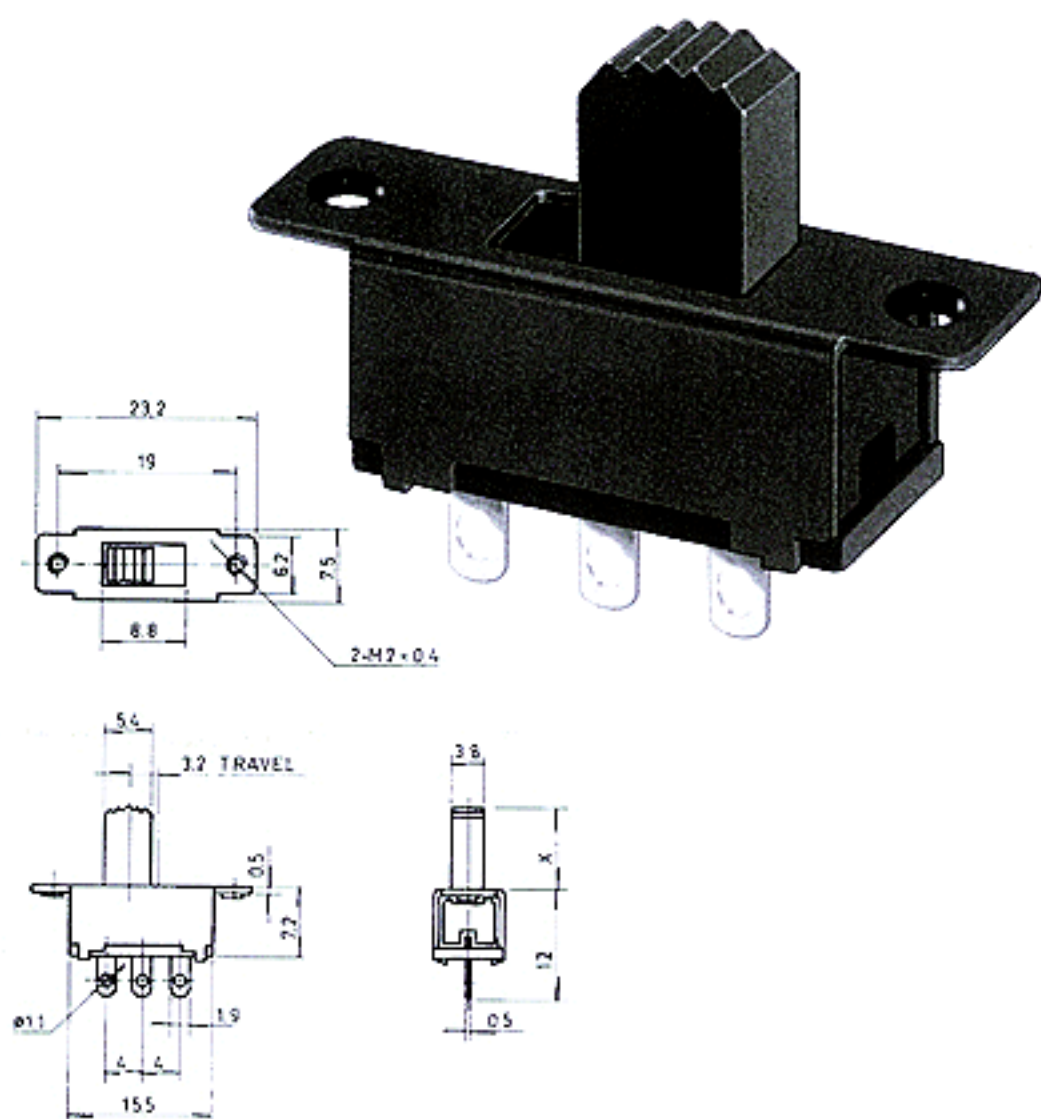
Function: 1P2T



Optional knob type



GAA	GAB	GAC	GAD	GAE	GBR
GDB	TAN	ATA	NTA	MXD	



# SS-12F62

Rating : 0.5A 50V DC

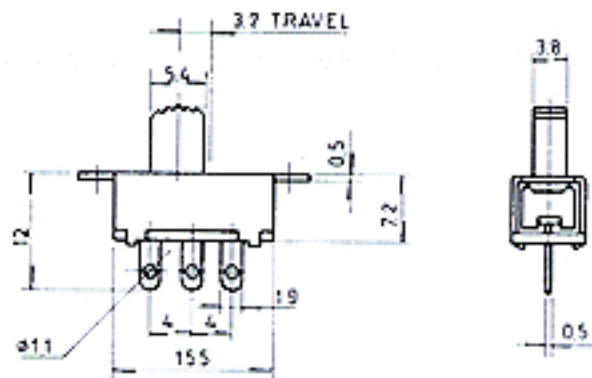
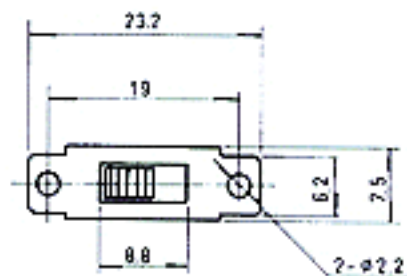
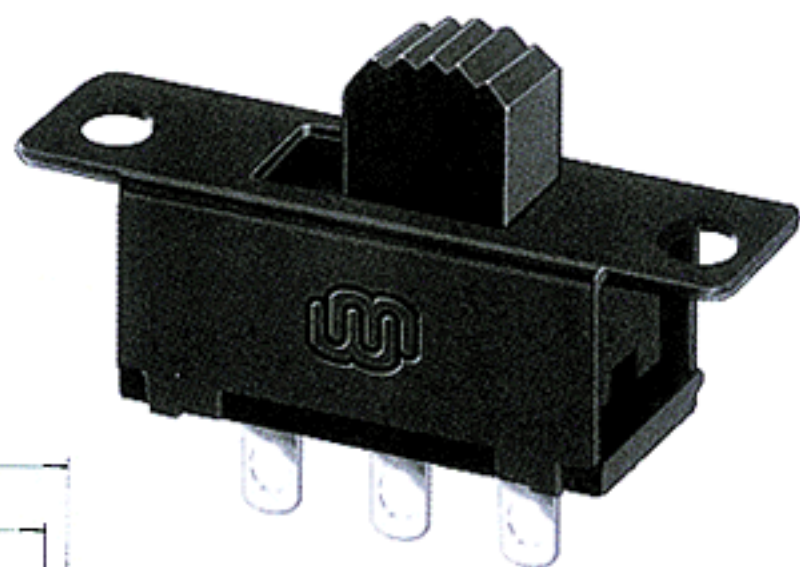
Function: 1P2T



Optional knob type



GAA	GAB	GAC	GAD	GAE	GBR
GDB	TAN	ATA	NTA	MXD	





# SS-12F61

Rating : 0.5A 50V DC

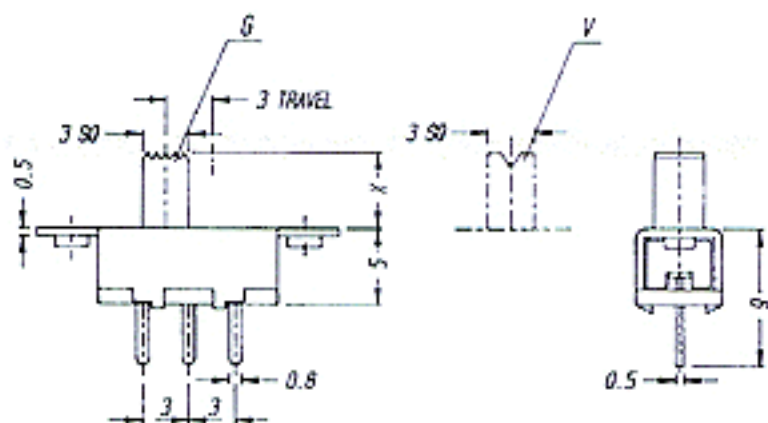
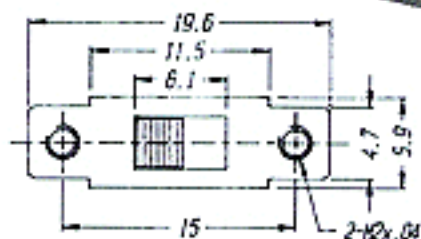
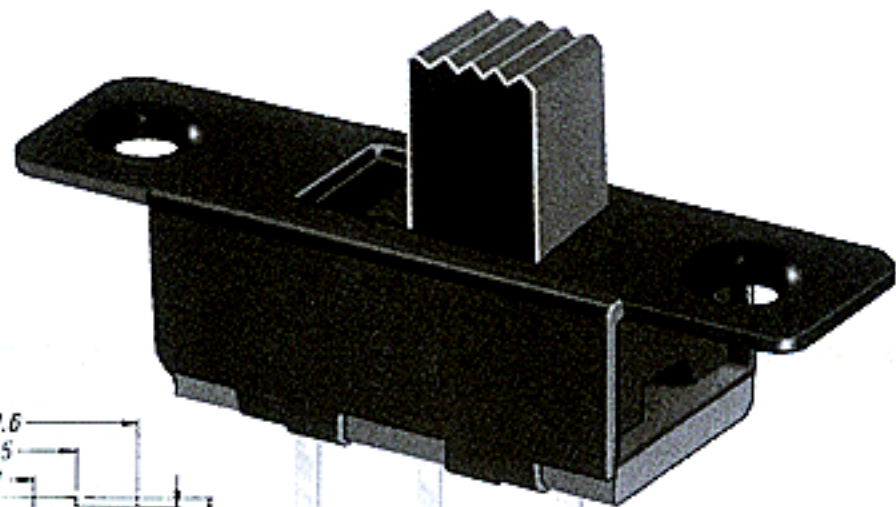
Function: 1P2T



Optional knob type



GBG	VAA	GBX			



# SS-12F60

Rating : 0.5A 50V DC

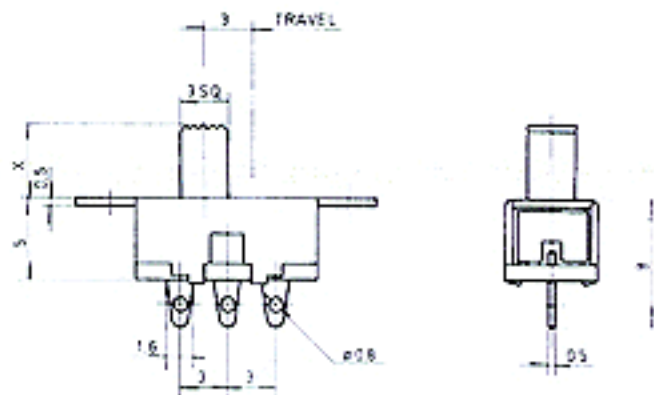
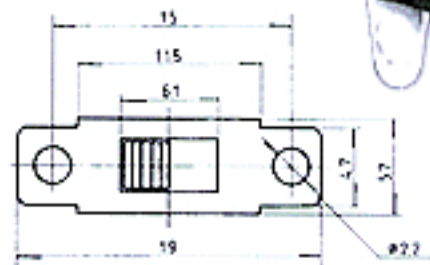
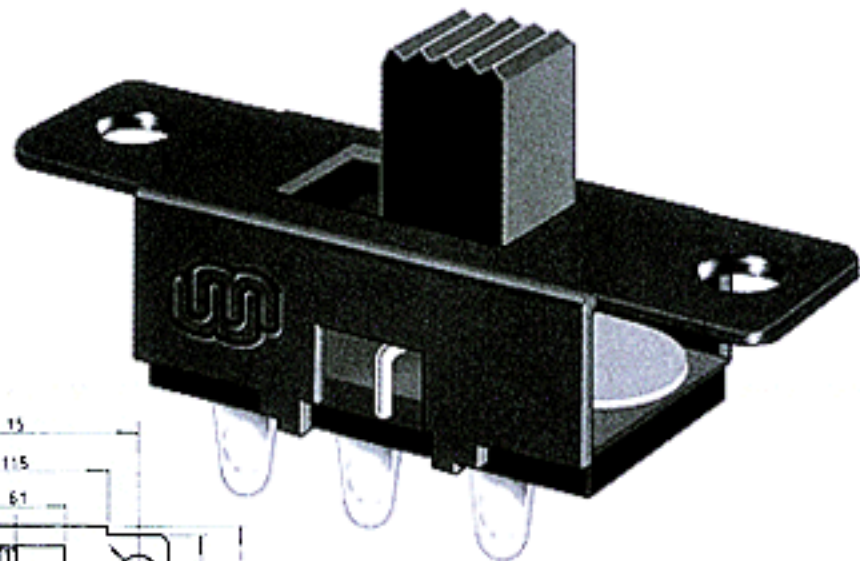
Function: 1P2T



Optional knob type



GBG	VAA	GBX			



# SS-12F59

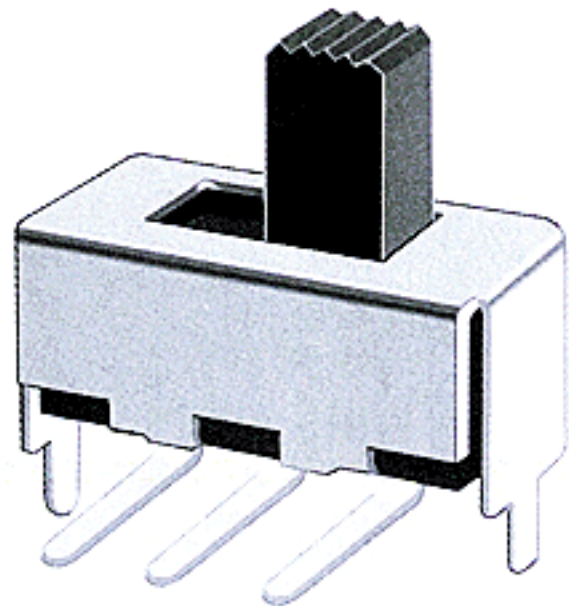
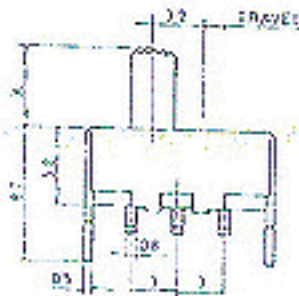
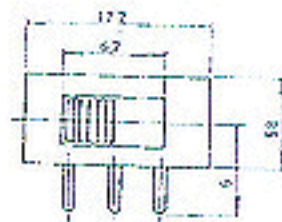
Rating : 0.5A 50V DC

Function: 1P2T



Optional knob type

GBG	VAA	GBX	ATB	NYB	



# SS-12F58

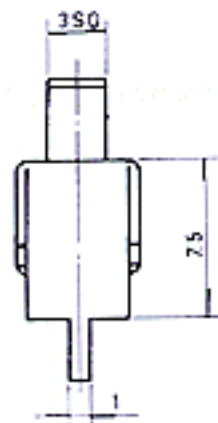
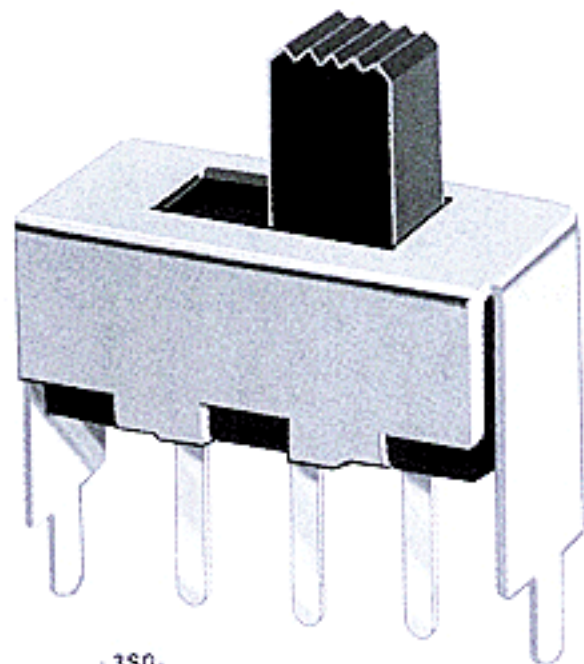
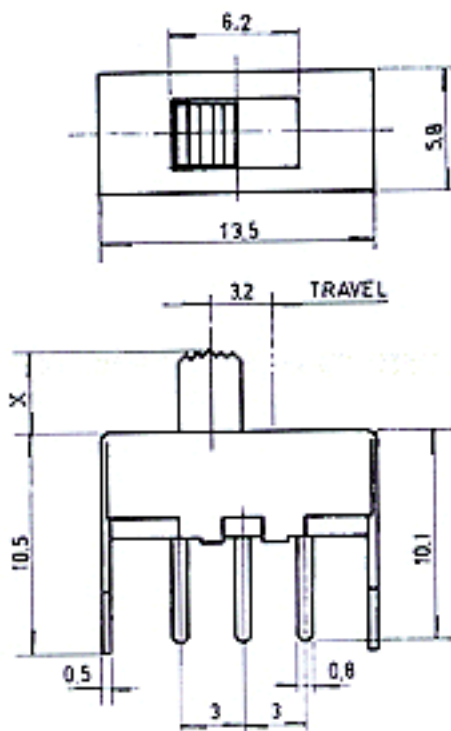
Rating : 0.5A 50V DC

Function: 1P2T



Optional knob type

GAG	VAA	GBX	ATB	NYB	



# SS-12F57

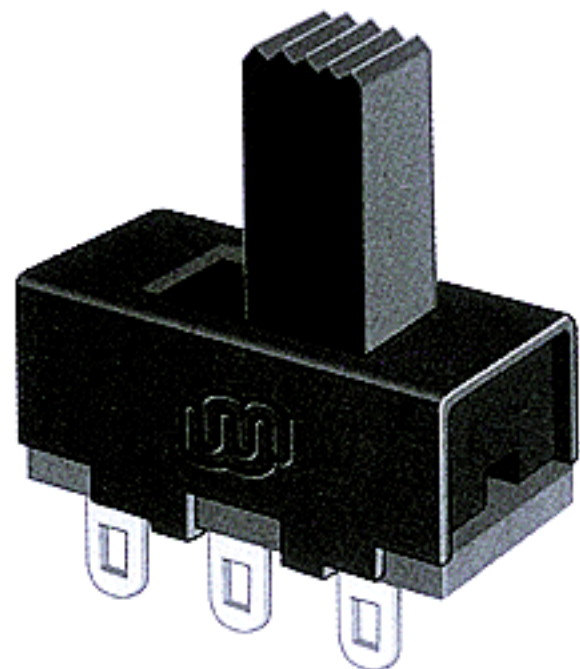
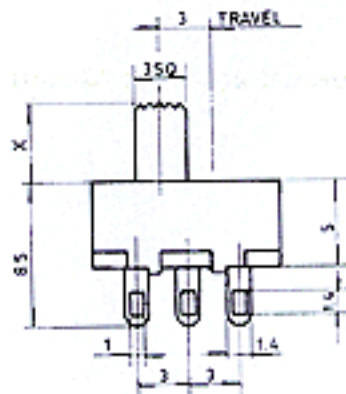
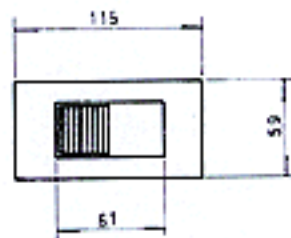
Rating : 0.5A 50V DC

Function: 1P2T



Optional knob type

GBG	VAA	GBX			



# SS-12F56

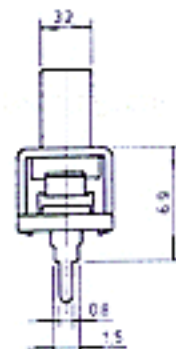
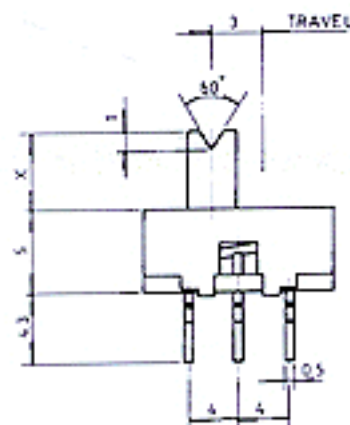
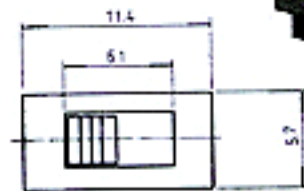
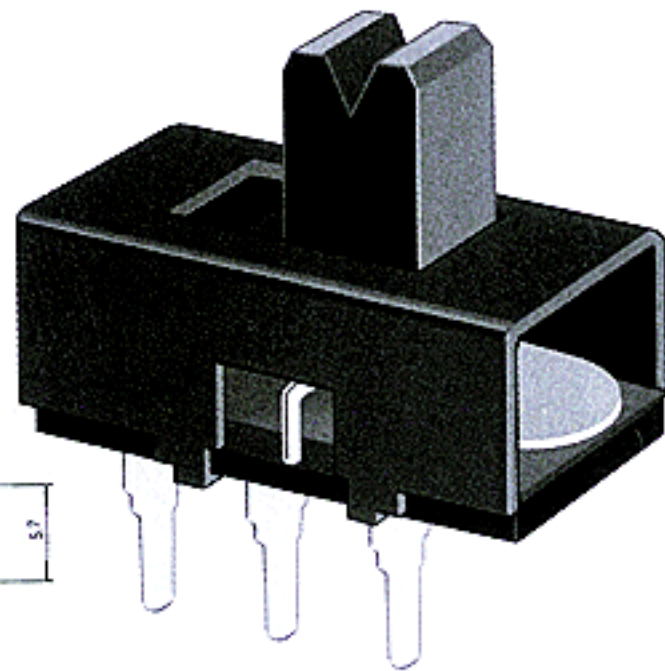
Rating : 0.5A 50V DC

Function: 1P2T



Optional knob type

VAE	GBY				



# SS-12F55

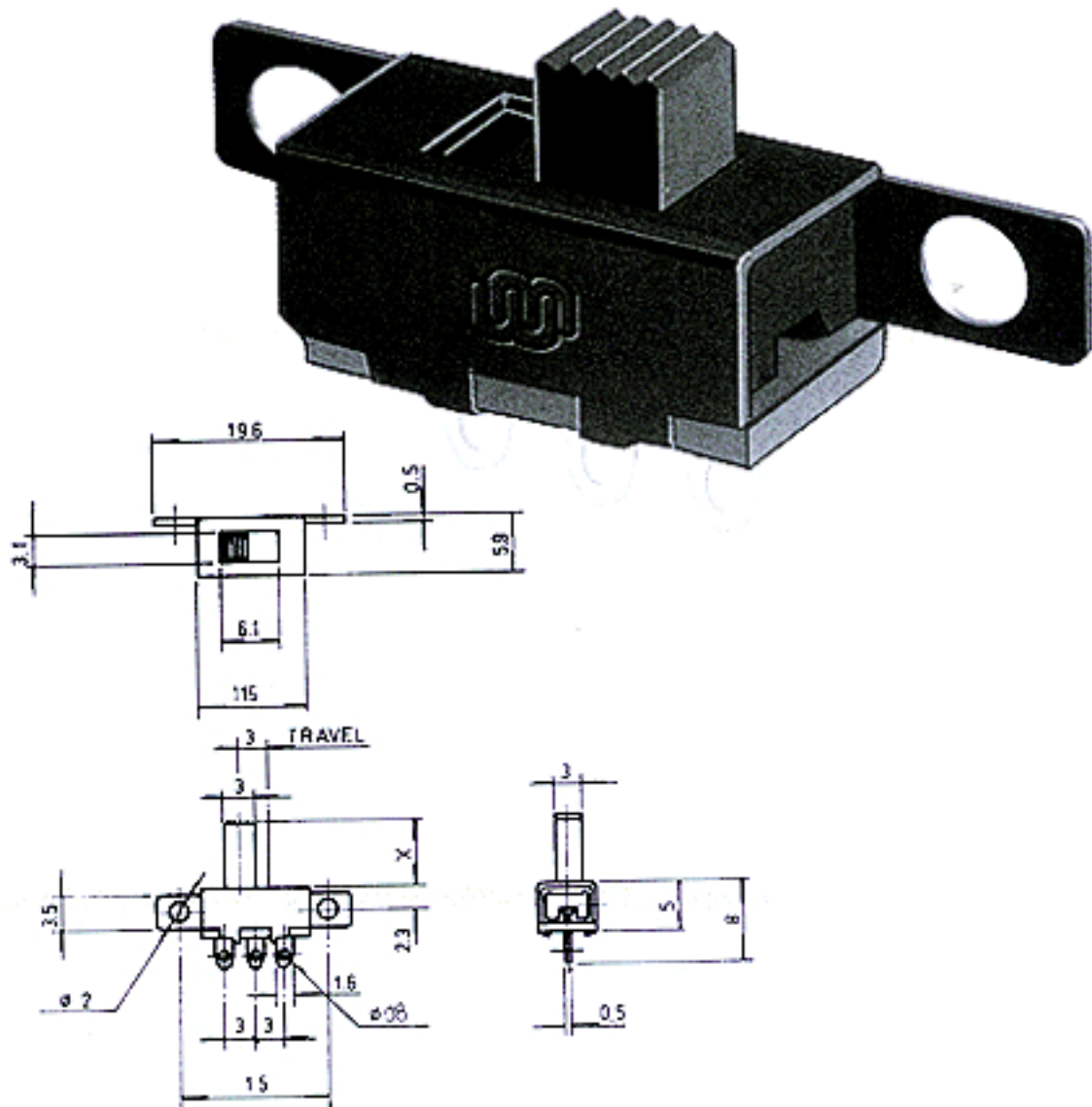
Rating : 0.5A 50V DC

Function: 1P2T



Optional knob type

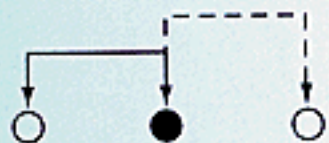
GBG	VAA	GBX			



# SS-12F54

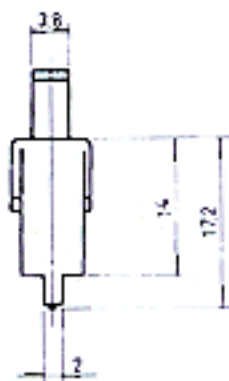
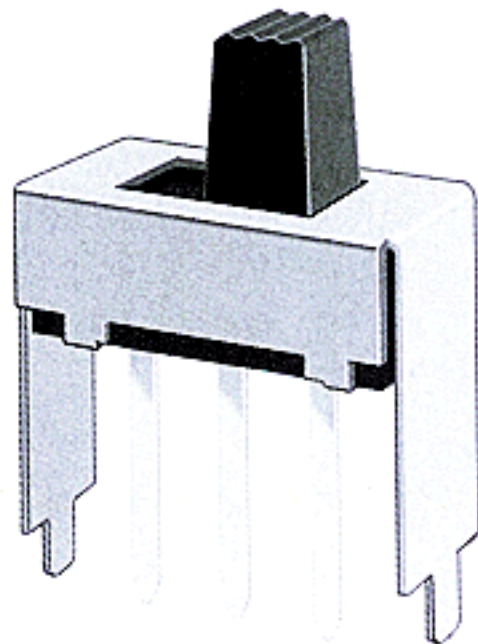
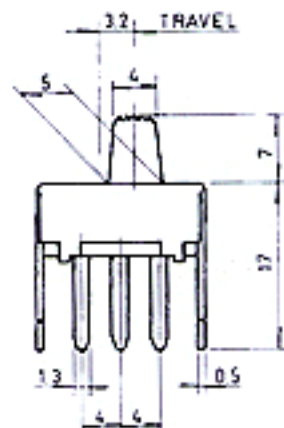
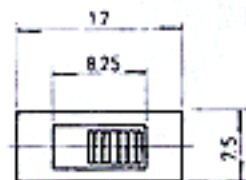
Rating : 0.5A 50V DC

Function: 1P2T



Optional knob type

GAA	GAB	GAC	GAD	GAE	GBR
GDB	TAN	ATA	NTA	MXD	





# SS-12F53

Rating : 0.5A 50V DC

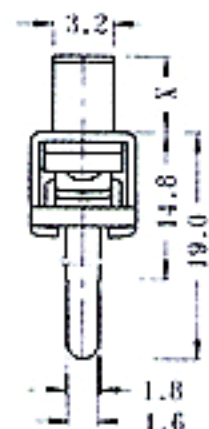
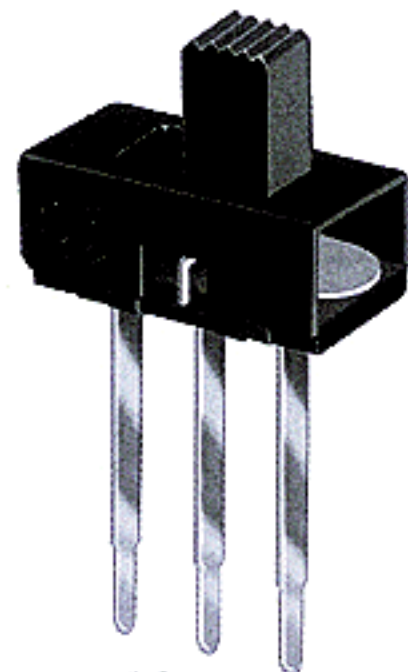
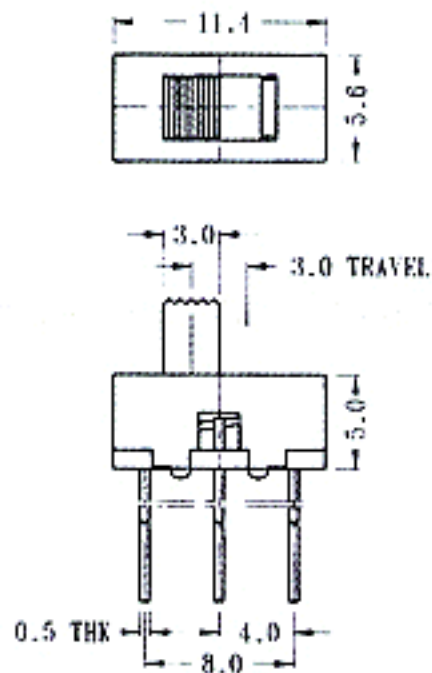
Function: 1P2T

N

Optional knob type



VAE	GBY				



# SS-12F51

Rating : 0.5A 50V DC

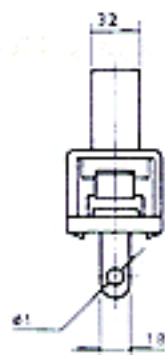
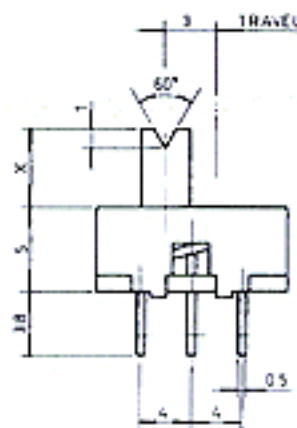
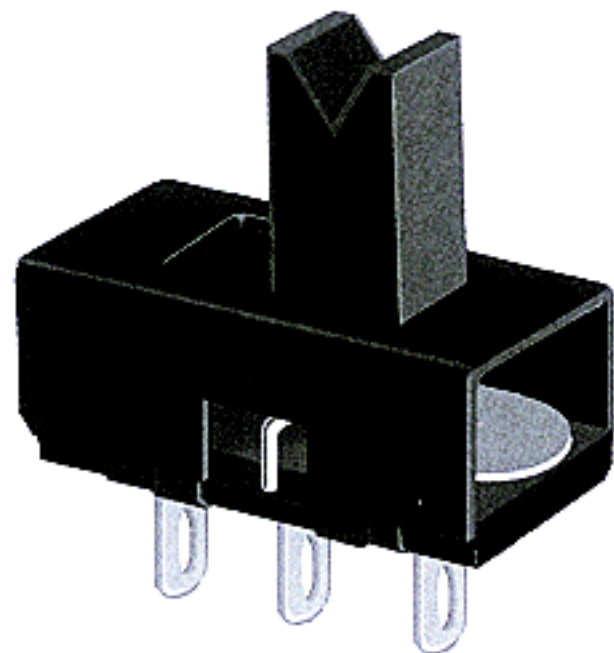
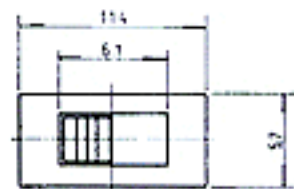
Function: 1P2T



Optional knob type



VAE	GBY				



# SS-12F50

Rating : 0.5A 50V DC

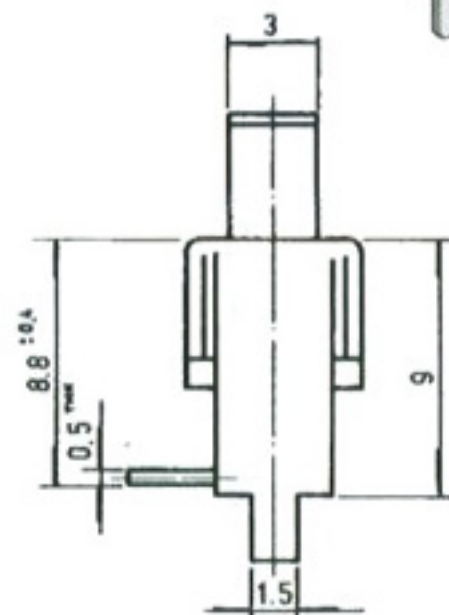
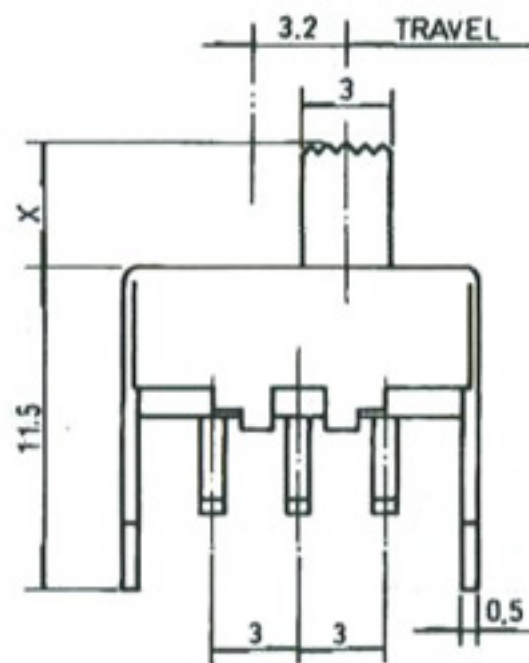
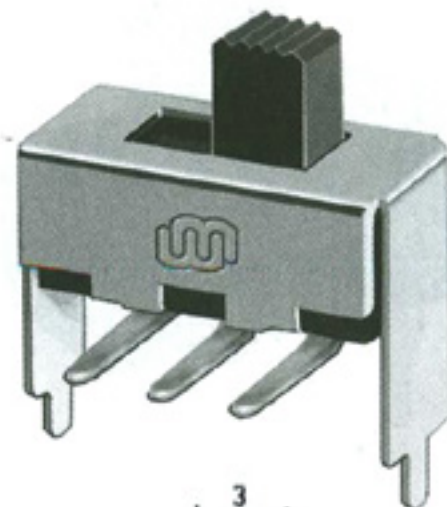
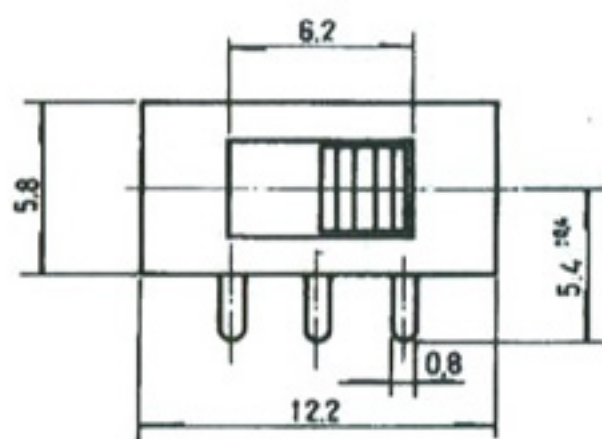
Function: 1P2T

N

Optional knob type



GBG	VAA	GBX	ATB	NYB	



# SS-12F49

Rating : 0.5A 50V DC

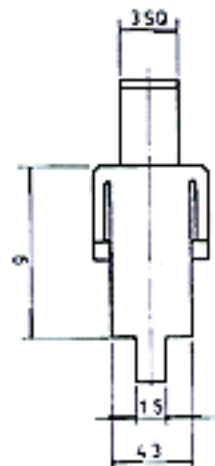
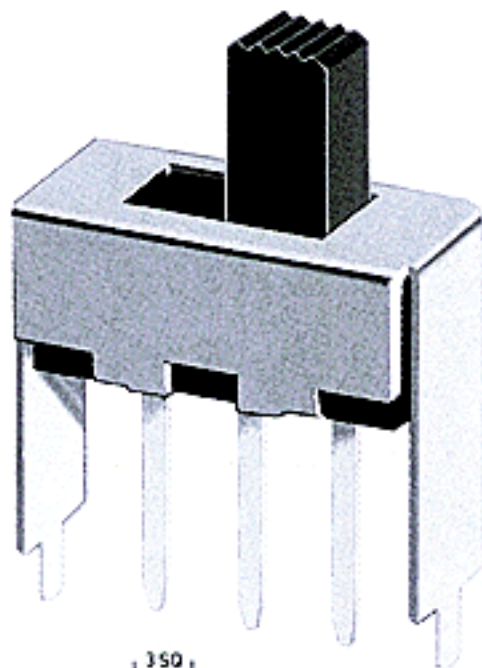
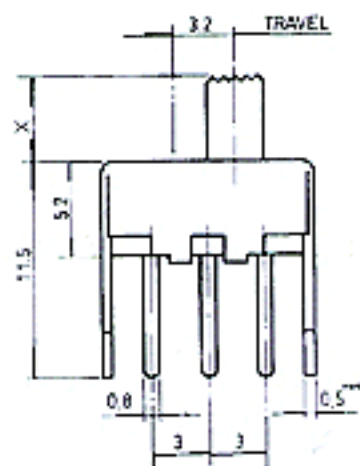
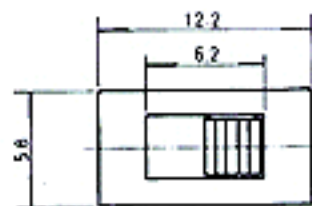
Function: 1P2T

N



Optional knob type

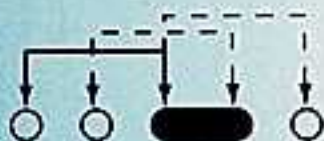
GBG	VAA	GBX	ATB	NYB	



# SS-13D01

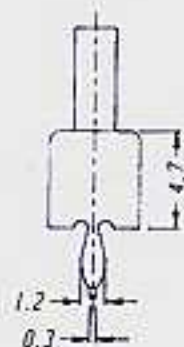
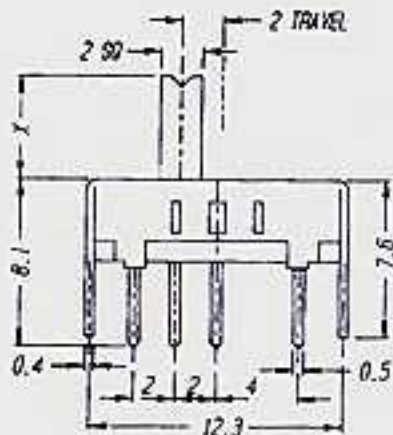
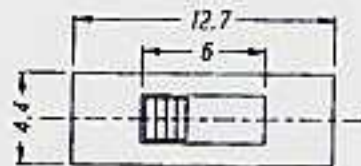
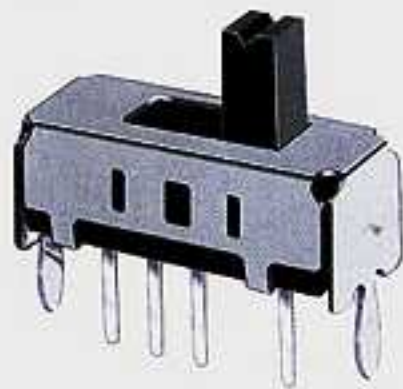
Rating : 0.3A 50V DC

Function: 1P3T



Optional knob type

VAC	GEE				



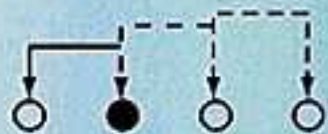
# SS-13H03

Rating : 0.5A 50V DC

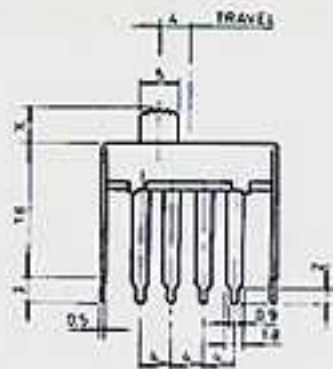
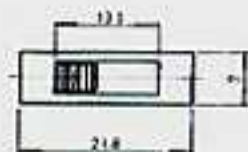
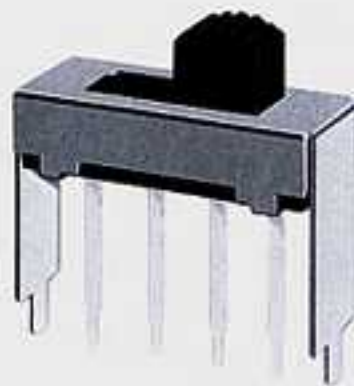
Function: 1P3T



Optional knob type



GDO	GDK				



# SS-13H02

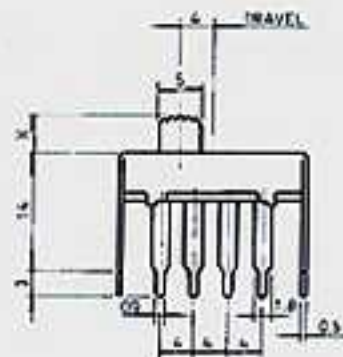
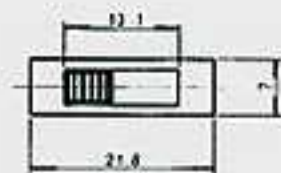
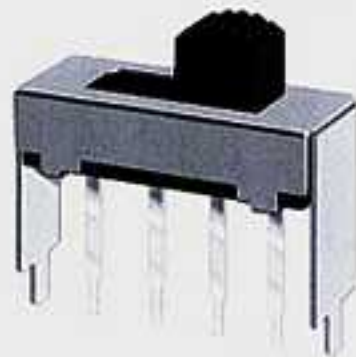
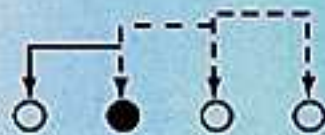
Rating : 0.5A 50V DC

Function: 1P3T



Optional knob type

GDO	GDK				



# SS-13H01

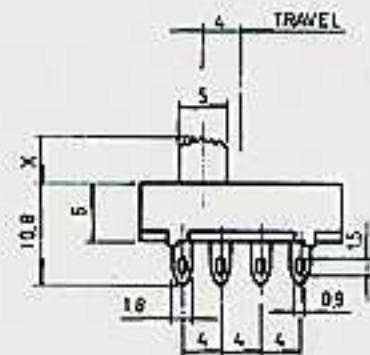
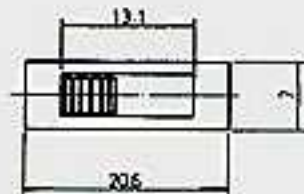
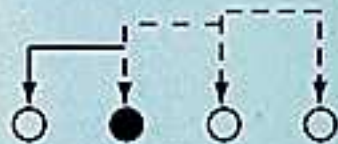
Rating : 0.5A 50V DC

Function: 1P3T



Optional knob type

GDO	GDK				





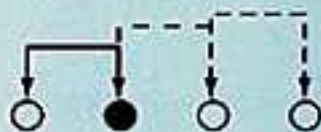
# SS-13F33

Rating : 0.3A 50V DC

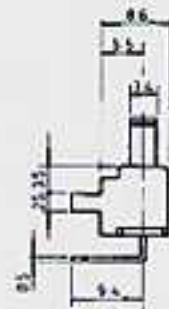
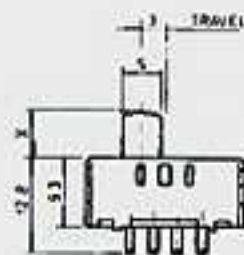
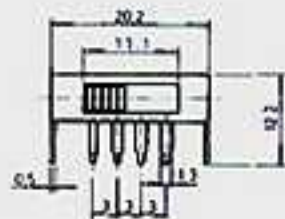
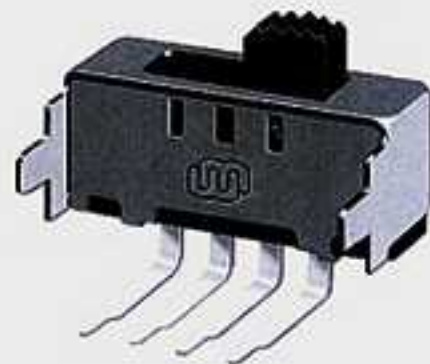
Function: 1P3T



Optional knob type



GDU					



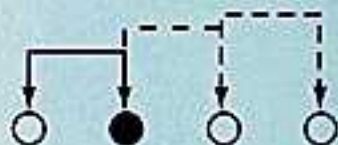
# SS-13F24

Rating : 0.5A 50V DC

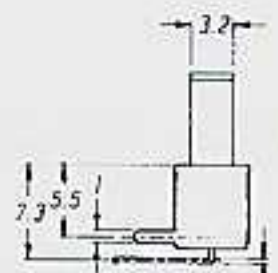
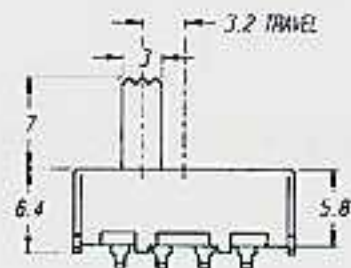
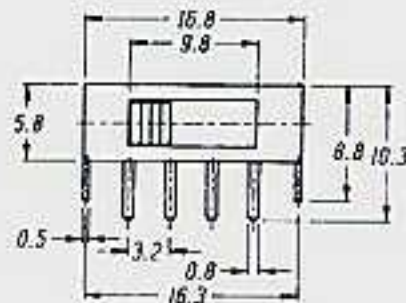
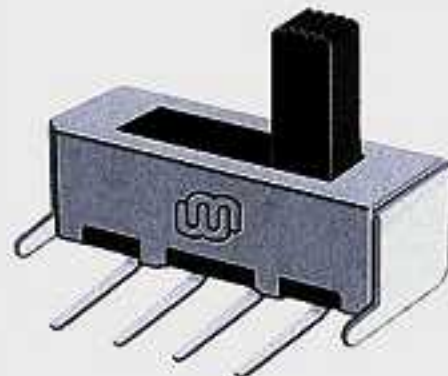
Function: 1P3T



Optional knob type



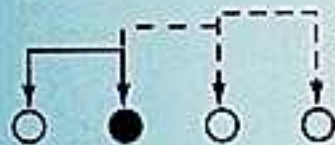
GBZ					



# SS-13F23

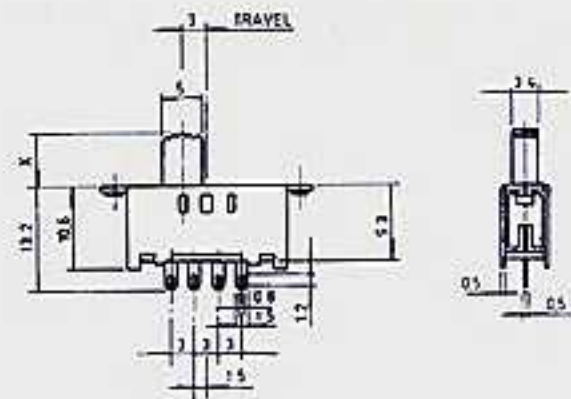
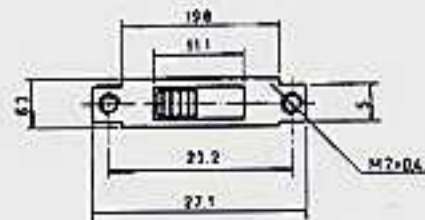
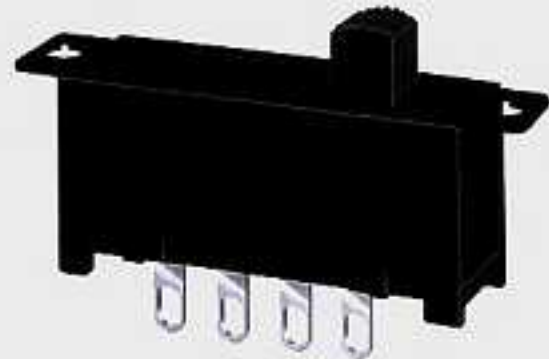
Rating : 0.3A 50V DC

Function: 1P3T



Optional knob type

GDU					



# SS-13F17

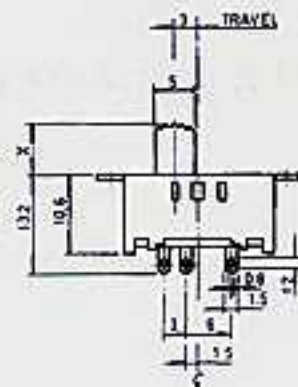
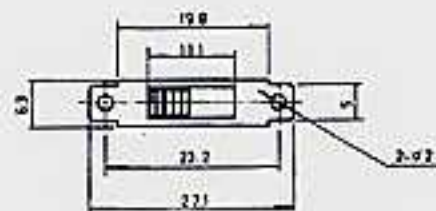
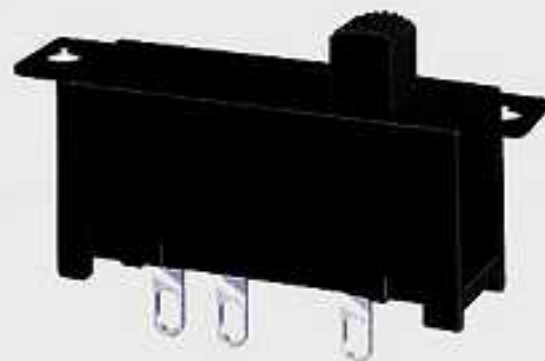
Rating : 0.3A 50V DC

Function: 1P3T



Optional knob type

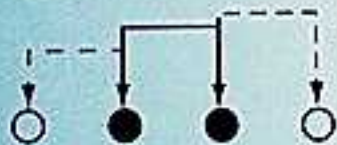
GDU					



# SS-13F16

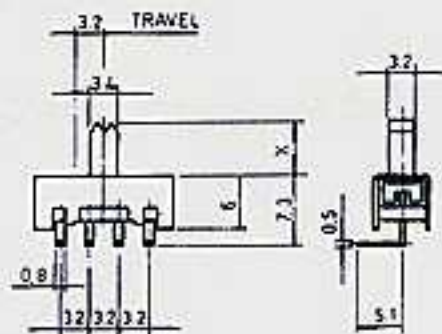
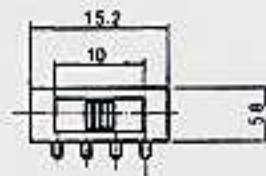
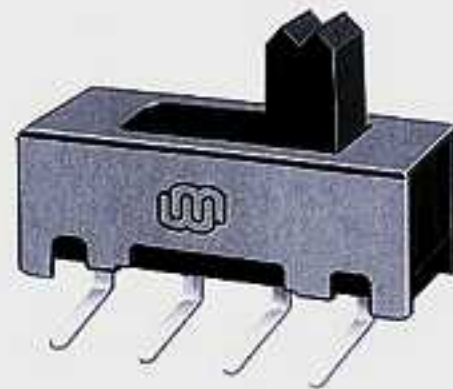
Rating : 0.5A 50V DC

Function: 1P3T



Optional knob type

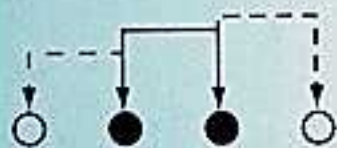
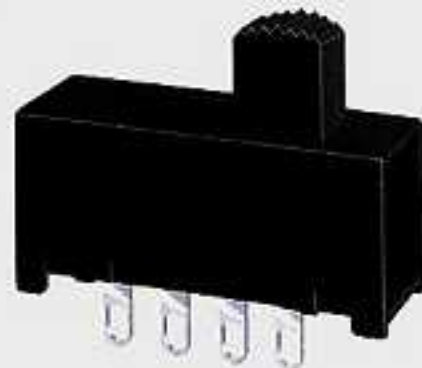
GED	GEZ				



# SS-13F09

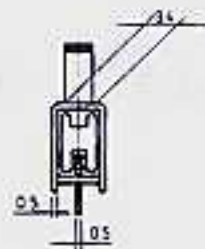
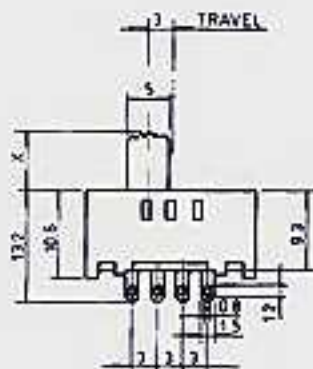
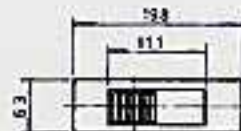
Rating : 0.3A 50V DC

Function: 1P3T



Optional knob type

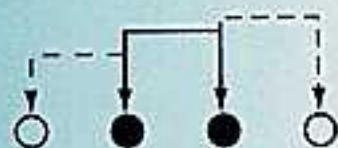
GDU					



# SS-13F08

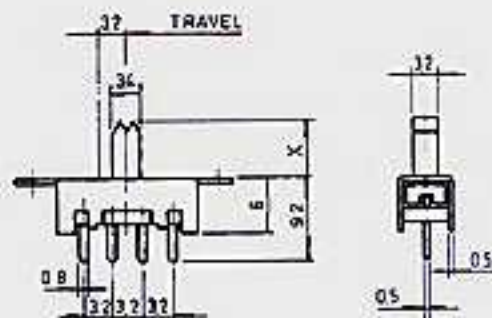
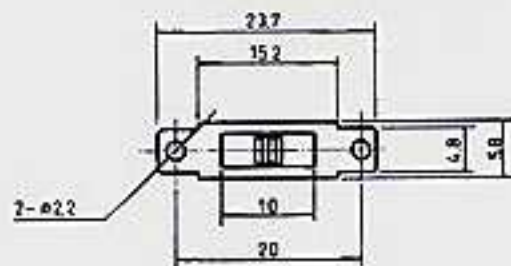
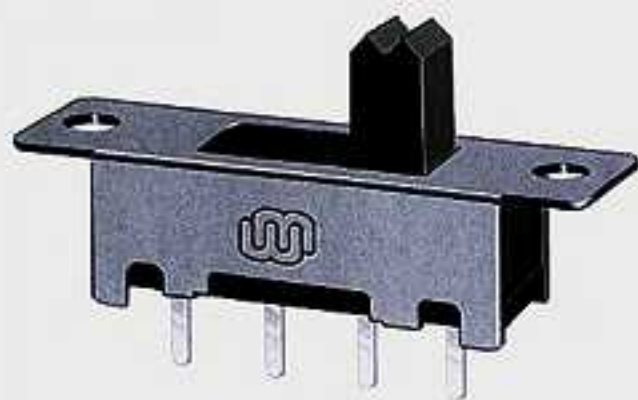
Rating : 0.5A 50V DC

Function: 1P3T



Optional knob type

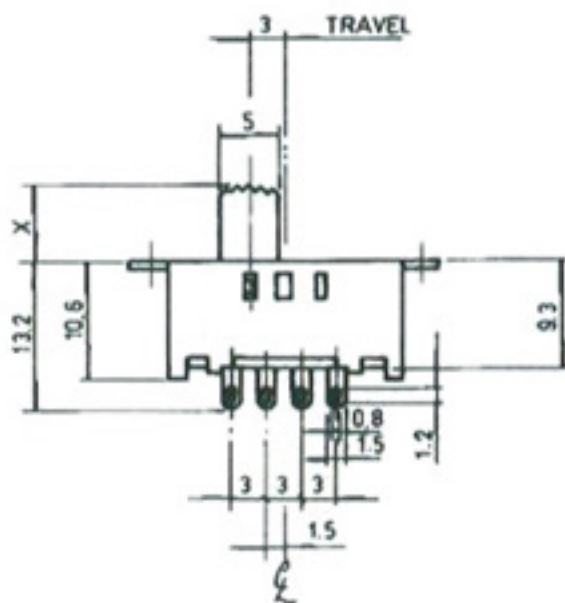
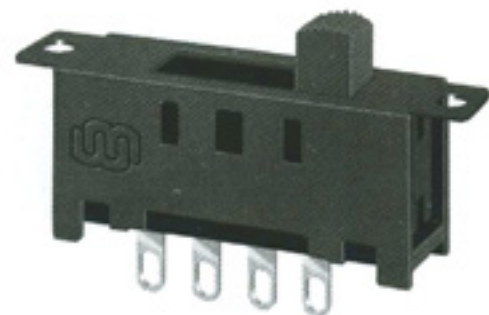
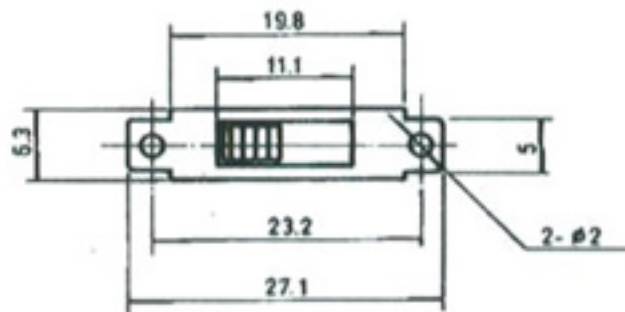
GED	GEZ				



# SS-13F07

Rating : 0.3A 50V DC

Function: 1P3T



Optional knob type



GDU					

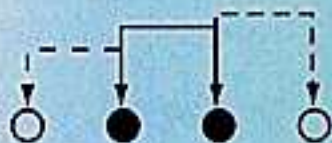


# SS-13F06

Rating : 0.5A 50V DC

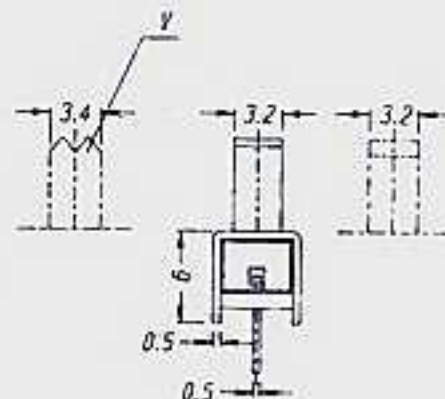
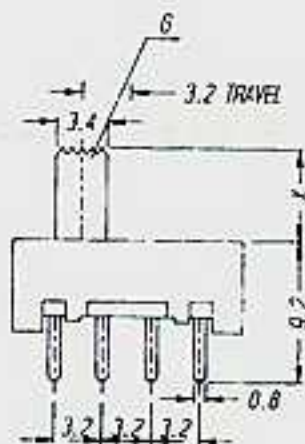
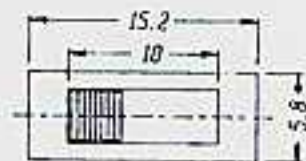
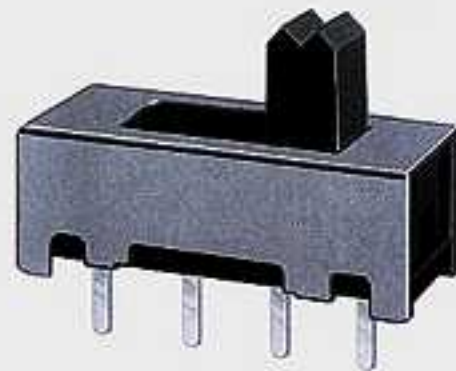
Function: 1P3T

N



Optional knob type

GED	GEZ				



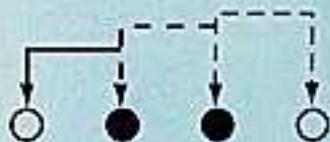
# SS-13F04

Rating : 0.5A 50V DC

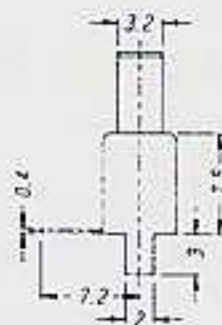
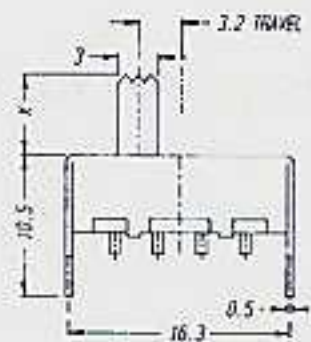
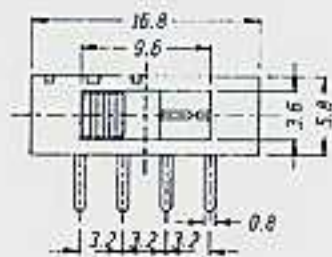
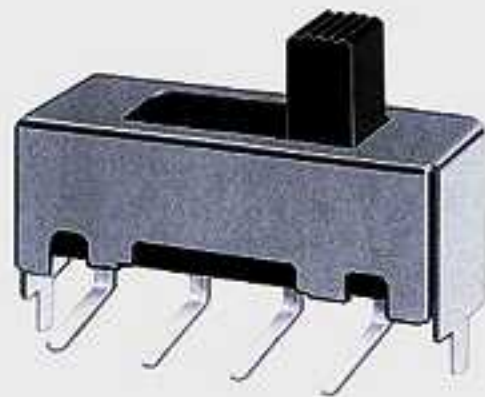
Function: 1P3T



Optional knob type



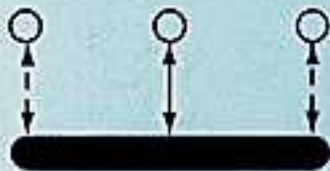
GEY					



# SS-13F03

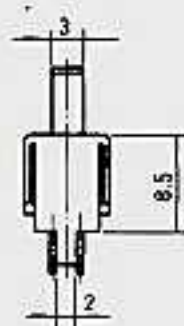
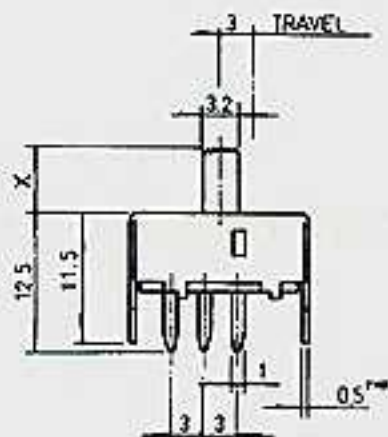
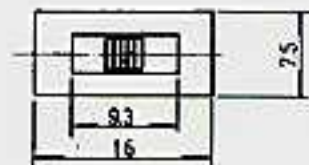
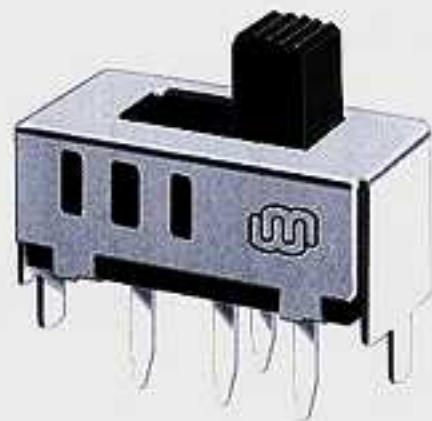
Rating : 0.5A 50V DC

Function: 1P3T



Optional knob type

GBE					



# SS-13E05

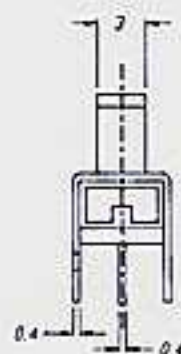
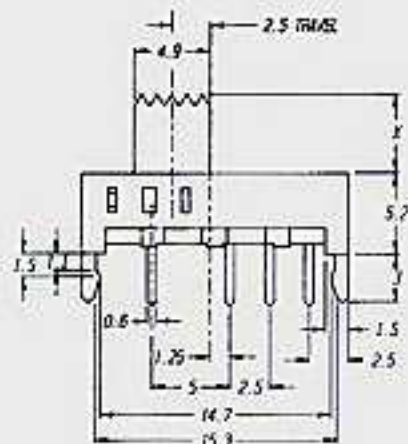
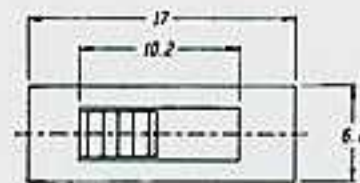
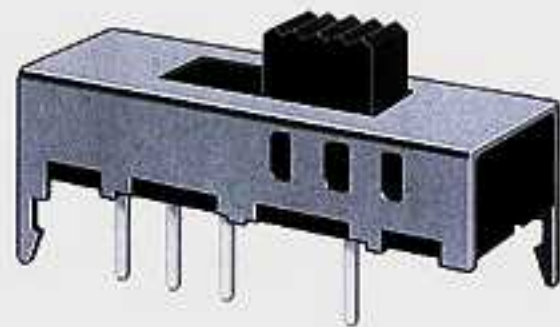
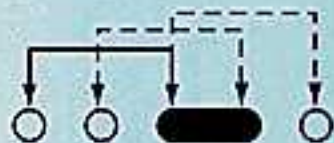
Rating : 0.3A 50V DC

Function: 1P3T



Optional knob type

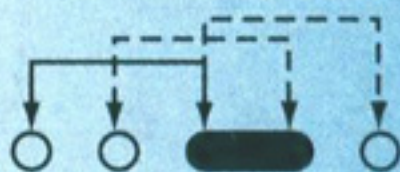
GEA					



# SS-13D43

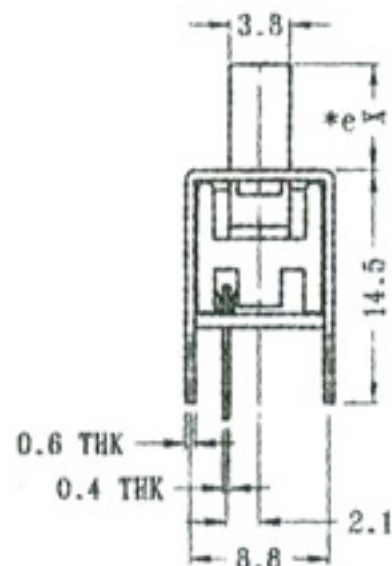
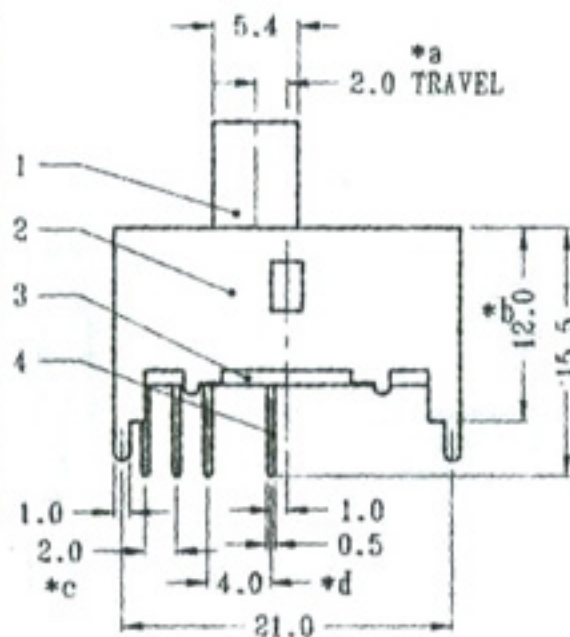
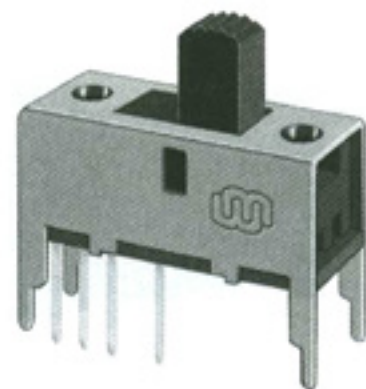
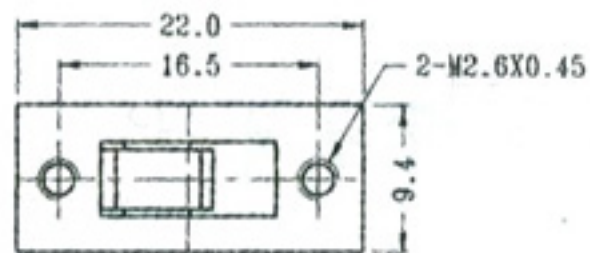
Rating : 0.3A 50V DC

Function: 1P3T



Optional knob type

GDF					



# SS-13D06

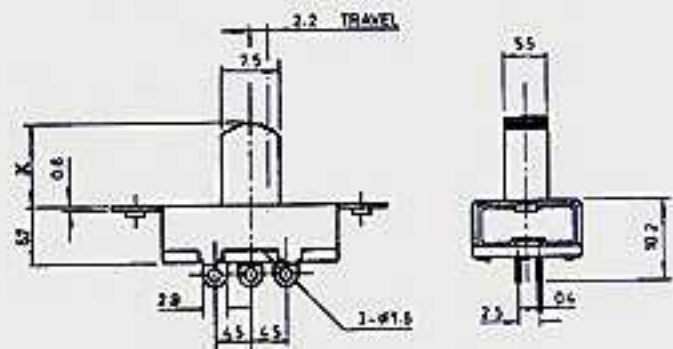
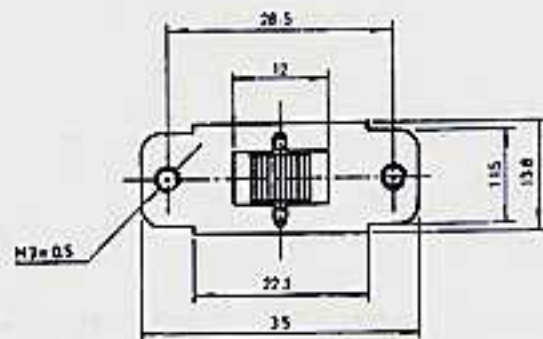
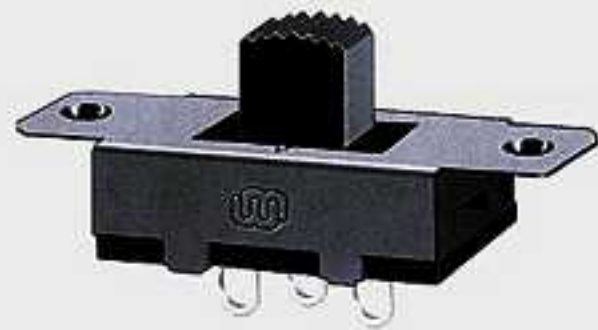
Rating : 6A 250V AC

Function: 1P3T



Optional knob type

GDF					



# SS-13D05

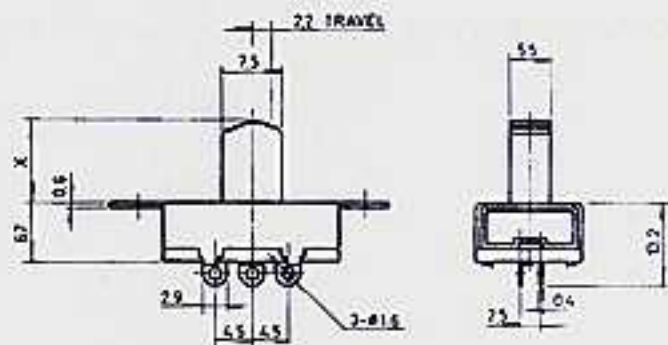
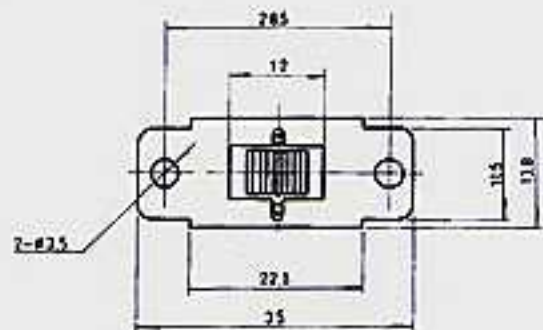
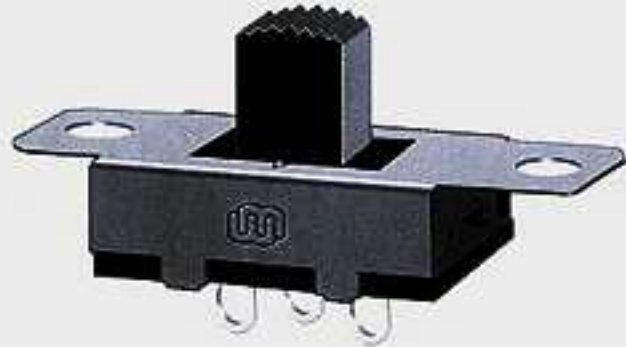
Rating : 6A 250V AC

Function: 1P3T



Optional knob type

GDF					



# SS-13D04

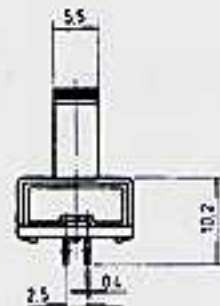
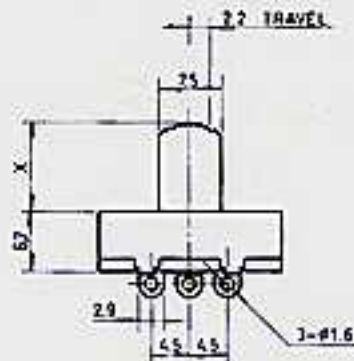
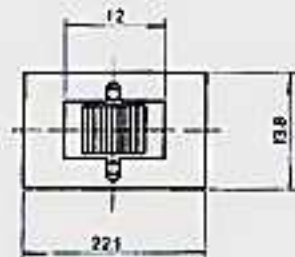
Rating : 6A 250V AC

Function: 1P3T



Optional knob type

GDF					

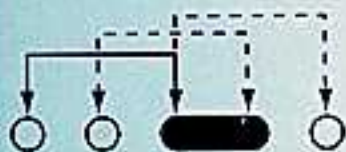




# SS-13H12

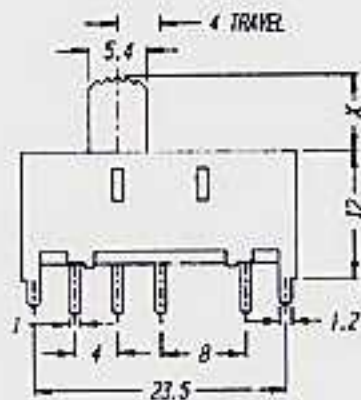
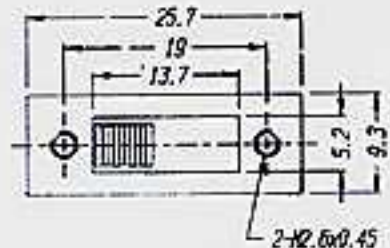
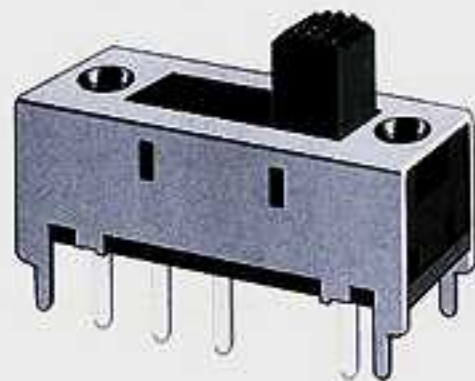
Rating : 0.3A 50V DC

Function: 1P3T



Optional knob type

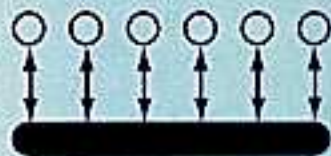
MXC	AYA	NTA	CDB		



# SS-16F05

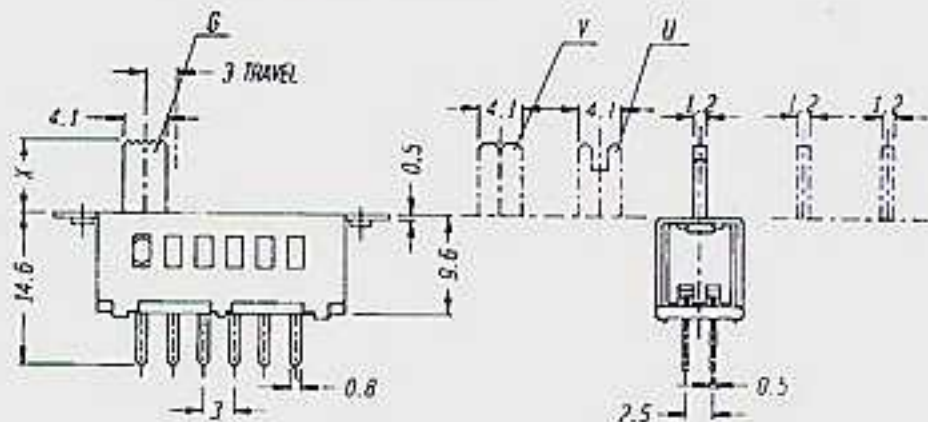
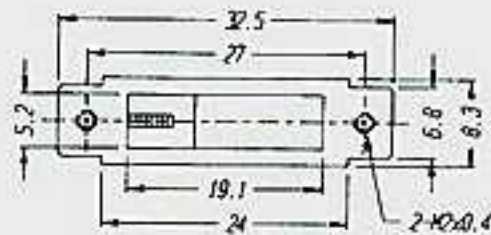
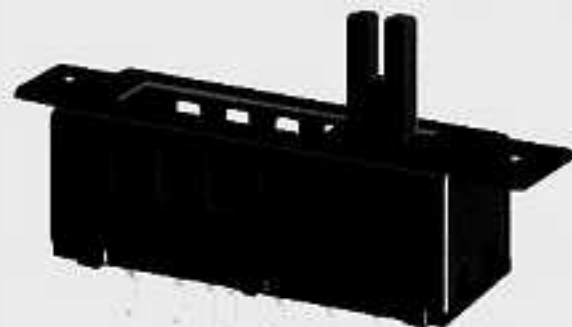
Rating : 0.5A 50V DC

Function: 1P6T



Optional knob type

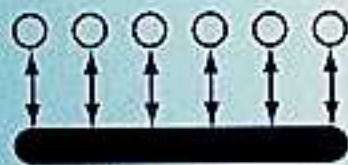
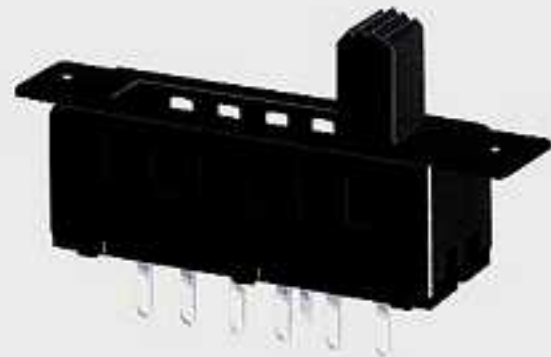
VBB	UAA	GBB			



# SS-16F04

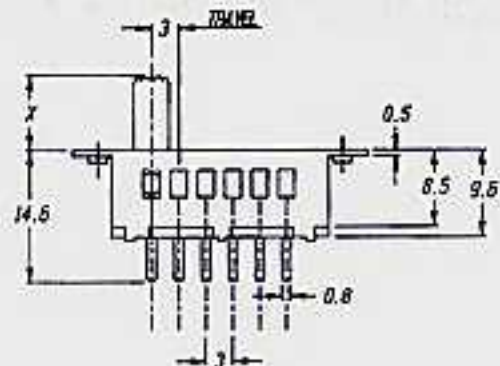
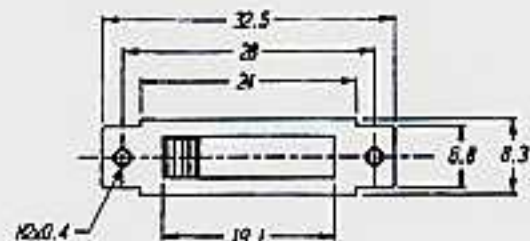
Rating : 0.5A 50V DC

Function: 1P6T



Optional knob type

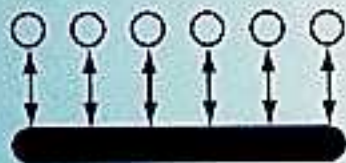
VBB	UAA	GBB			



# SS-16F03

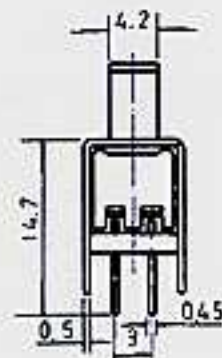
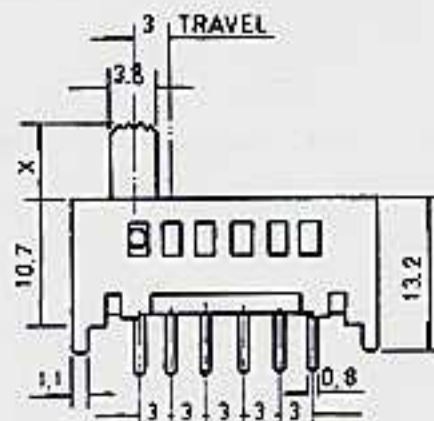
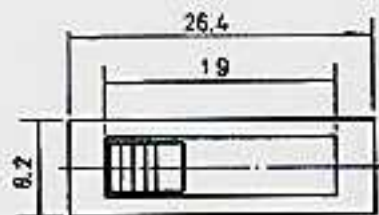
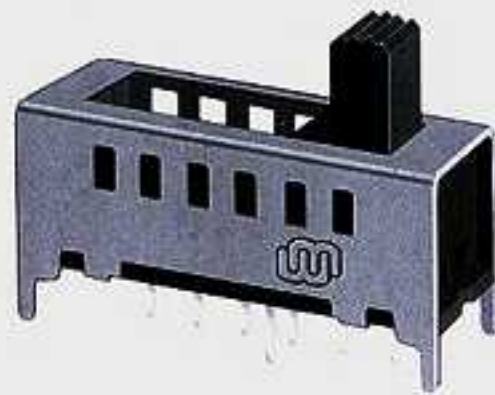
Rating : 0.5A 50V DC

Function: 1P6T



Optional knob type

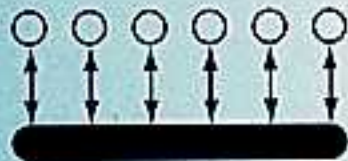
GBB	VAB				



# SS-16F02

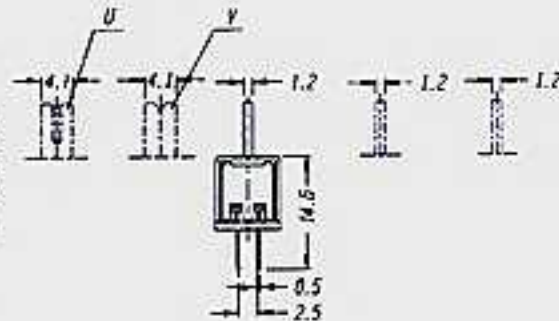
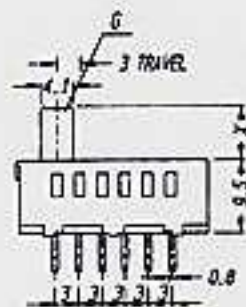
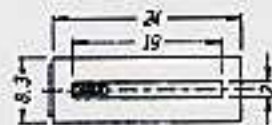
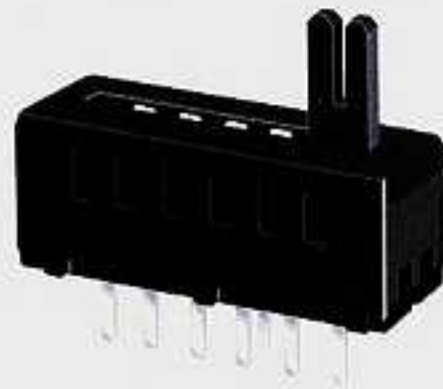
Rating : 0.5A 50V DC

Function: 1P6T



Optional knob type

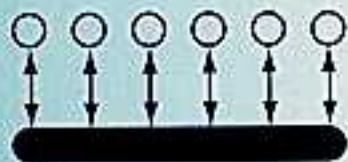
VBB	UAA	GBB			



# SS-16F01

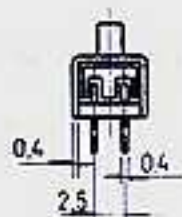
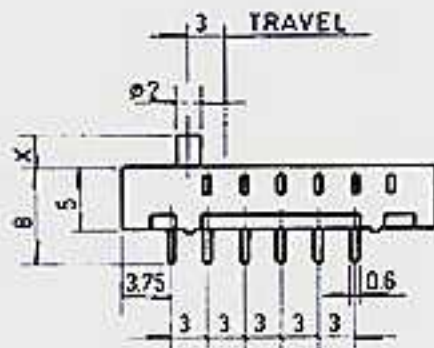
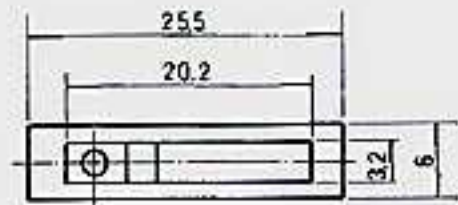
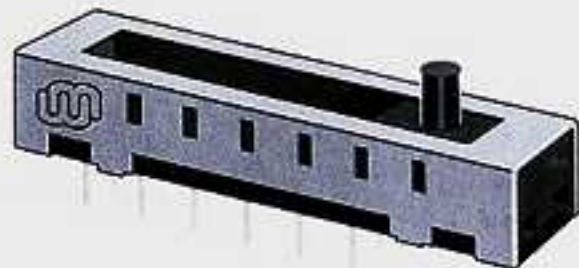
Rating : 0.5A 50V DC

Function: 1P6T



Optional knob type

NTB					



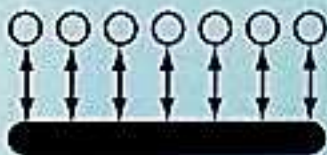
# SS-17F01

Rating : 0.5A 50V DC

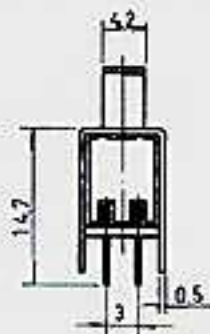
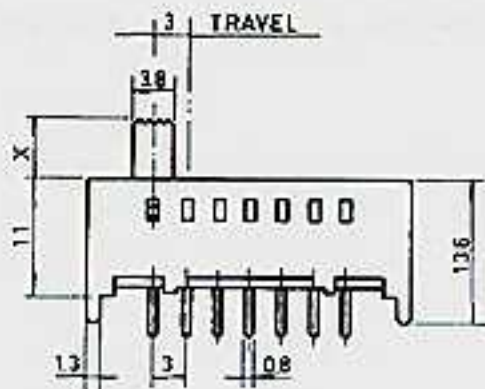
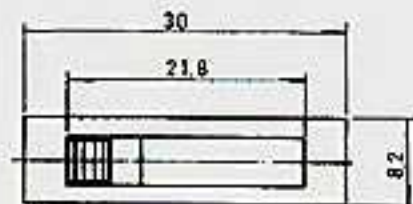
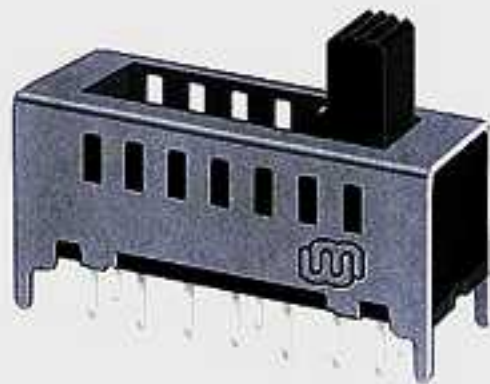
Function: 1P7T



Optional knob type



GBB	VAB				



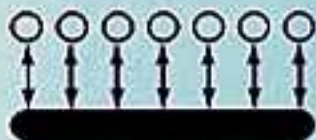
# SS-17E01

Rating : 0.5A 50V DC

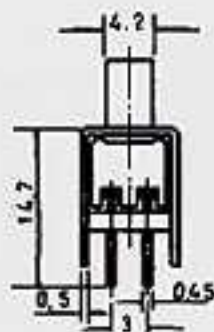
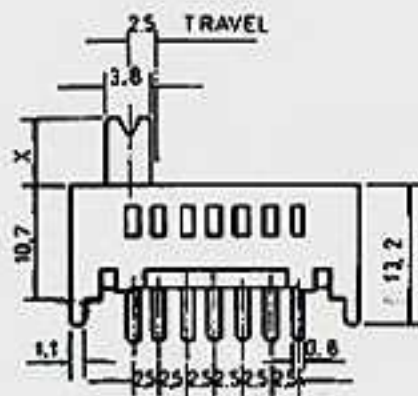
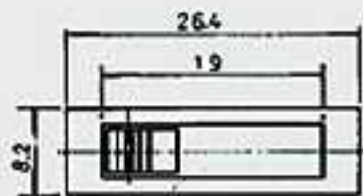
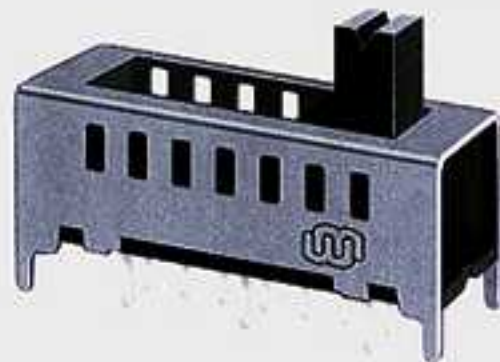
Function: 1P7T



Optional knob type



GBB	VAB				

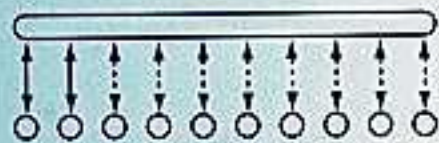




# SS-110F01

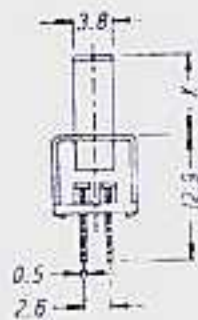
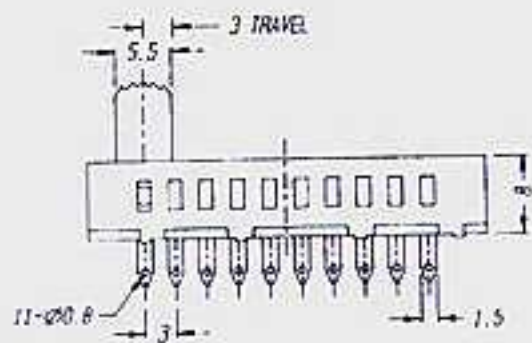
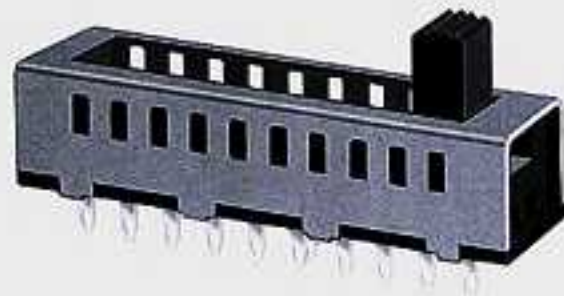
Rating : 0.5A 50V DC

Function: 1P10T



Optional knob type

GEA					



# SS-18F08

Rating : 0.5A 50V DC

Function: 1P8T



Optional knob type



GDI						

