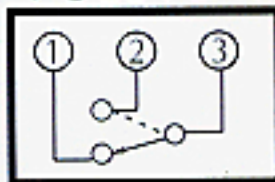


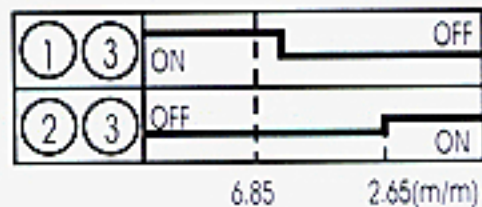
HS-12L01

Function : 1P-POLE FLAT LEVER

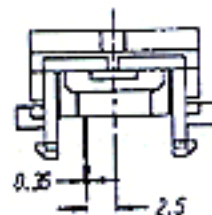
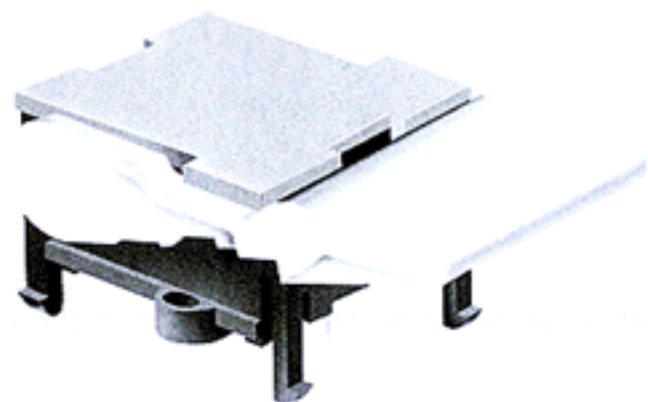
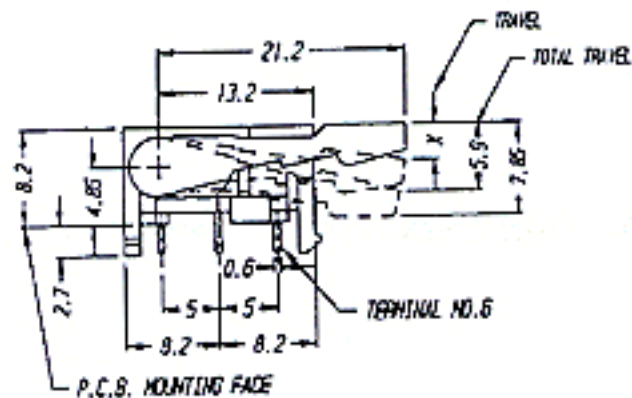
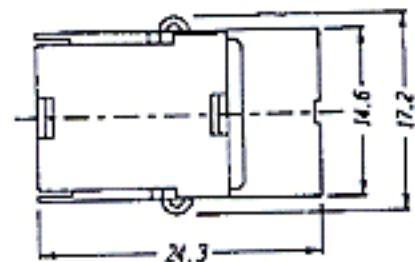
CIRCUIT DIAGRAM
(VIEWED FROM DIRECTION A)



TIME LAG DIAGRAM



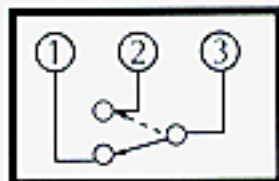
TRAVEL POSITION (X) (M/M)



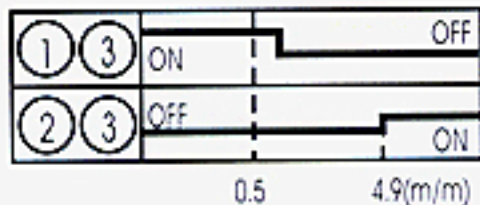
HS-12L03

Function : 1- POLE REVERSE OPERATION LEVER

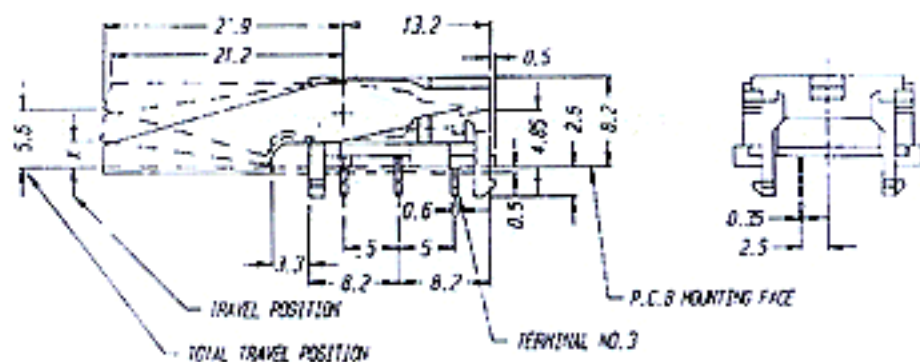
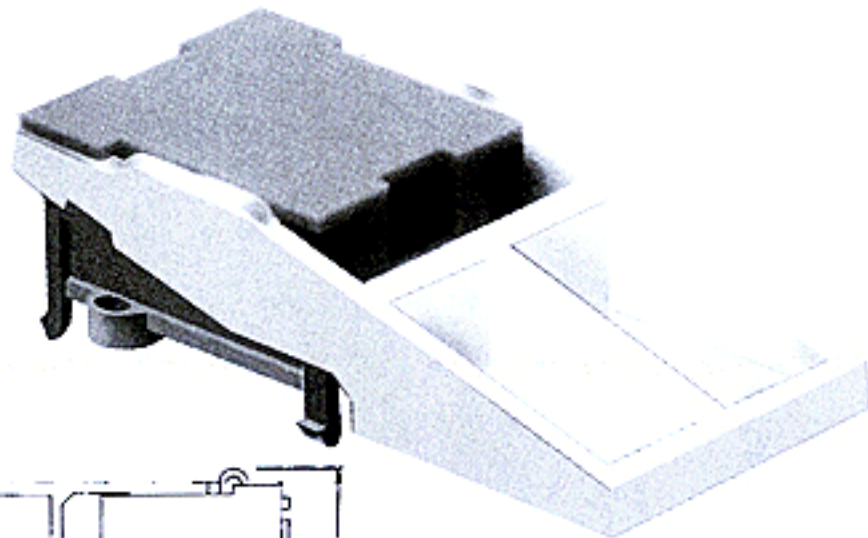
CIRCUIT DIAGRAM
(VIEWED FROM DIRECTION A)



TIME LAG DIAGRAM



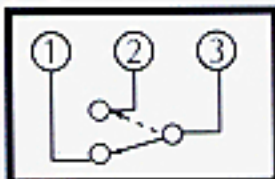
TRAVEL POSITION (X) (M/M)



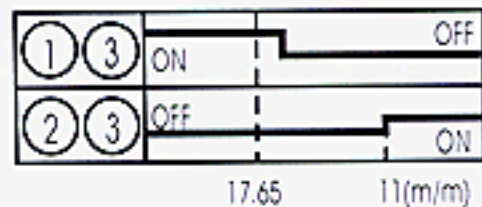
HS-12L02

Function : 1- POLE WITH KNOB

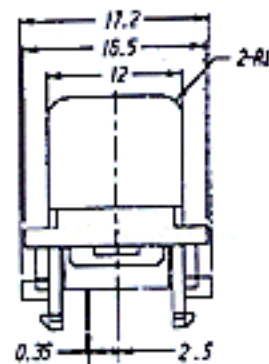
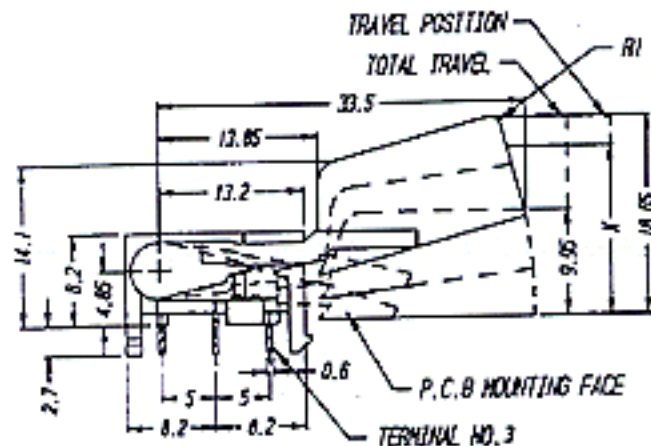
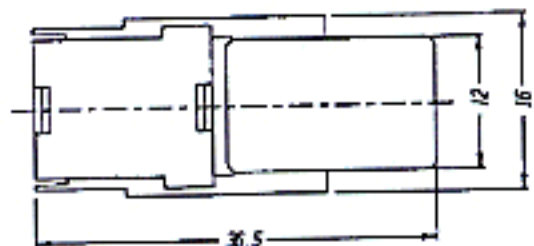
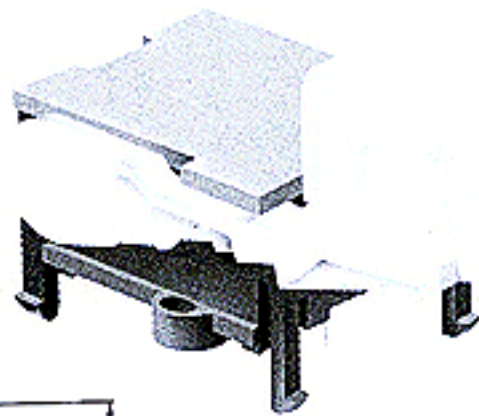
CIRCUIT DIAGRAM
(VIEWED FROM DIRECTION A)



TIME LAG DIAGRAM



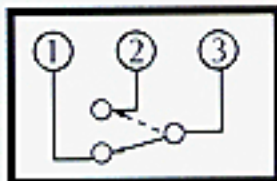
TRAVEL POSITION (X) (M/M)



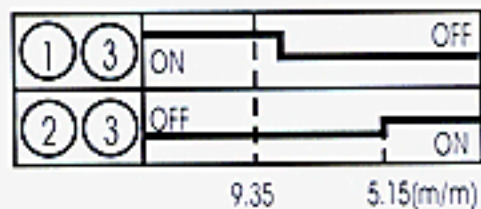
HS-12L04

Function : 1- POLE WITH PROJECTED LEVER

CIRCUIT DIAGRAM
(VIEWED FROM DIRECTION A)



TIME LAG DIAGRAM



TRAVEL POSITION (X) (M/M)

